

30W Constant Voltage Slim-US Series



Features

- Class II, SELV, independent
- Input Voltage 220-240VAC
- Protections: SCP/OLP/OVP/OTP
- Power Factor > 0.95
- Efficiency ≥83%
- 2 slots
- 5 years warranty

Applications

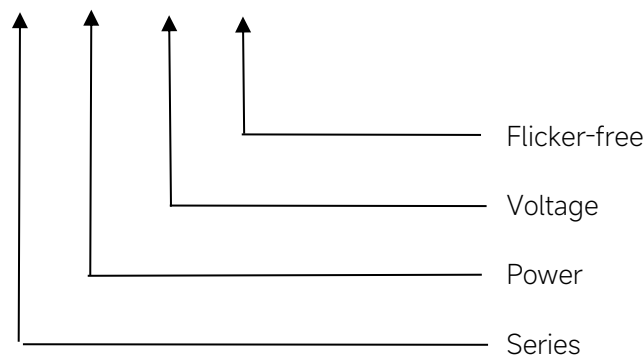
- LED strips kitchen light

◆ Description

US-30-XX LI1 is a 30W constant voltage LED driver that operates from 198-264Vac input with 12V or 24V output voltage. With its slim dimensions from 261 x 30x 17mm it is easy to integrate in LED strips, kitchen light products. To ensure trouble-free operation, protection is provided against output short circuit, over Load and over temperature.

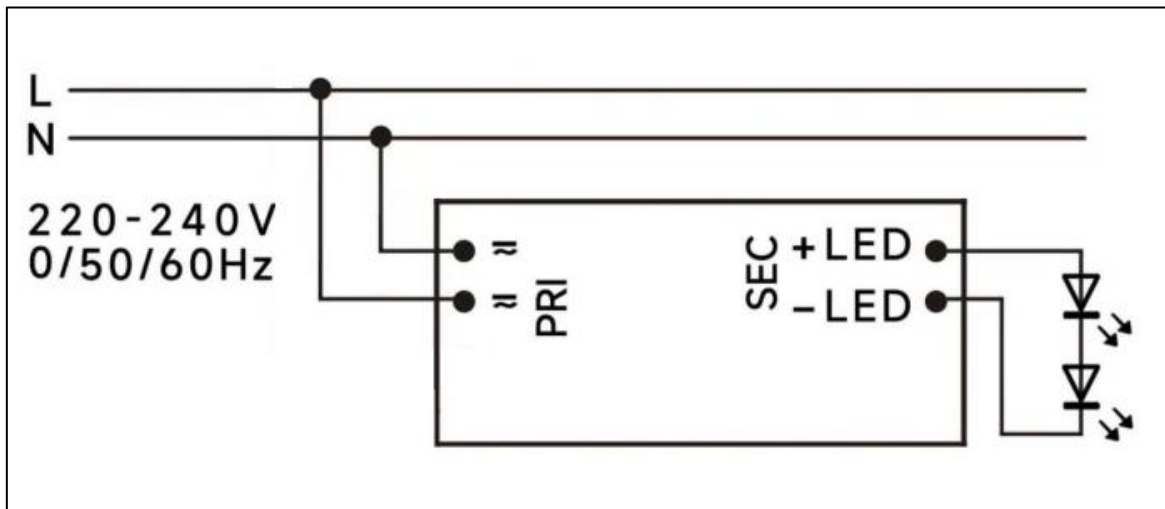
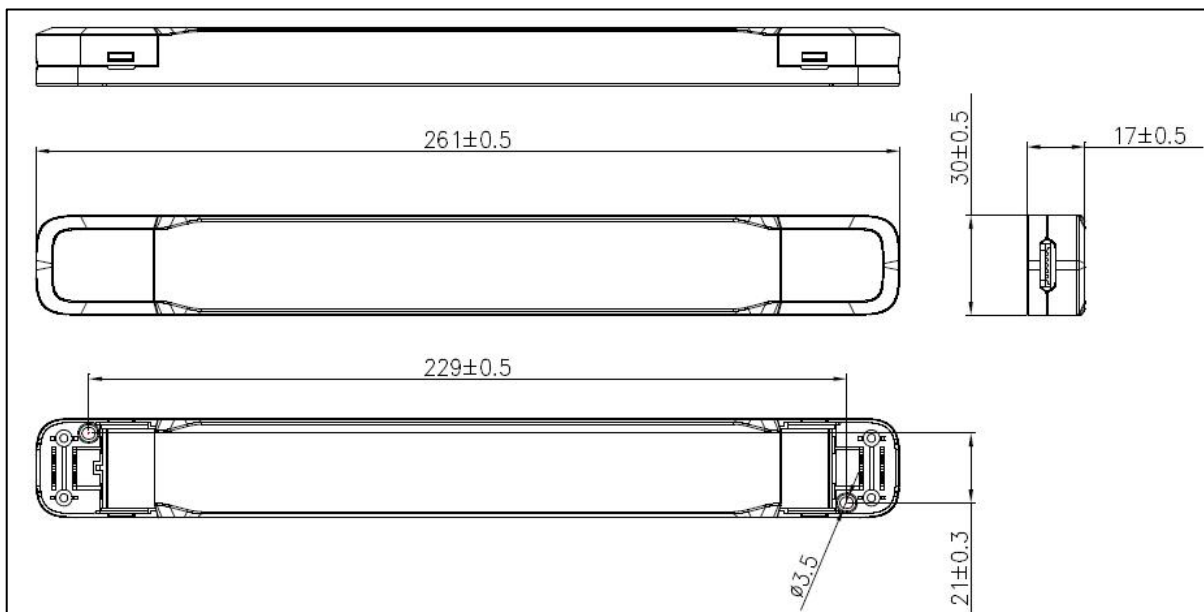
◆ Model code

US-30-XX LI1

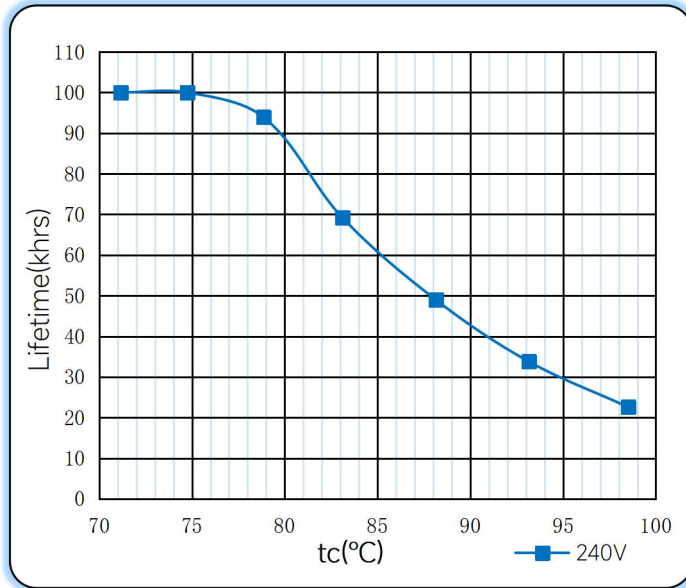
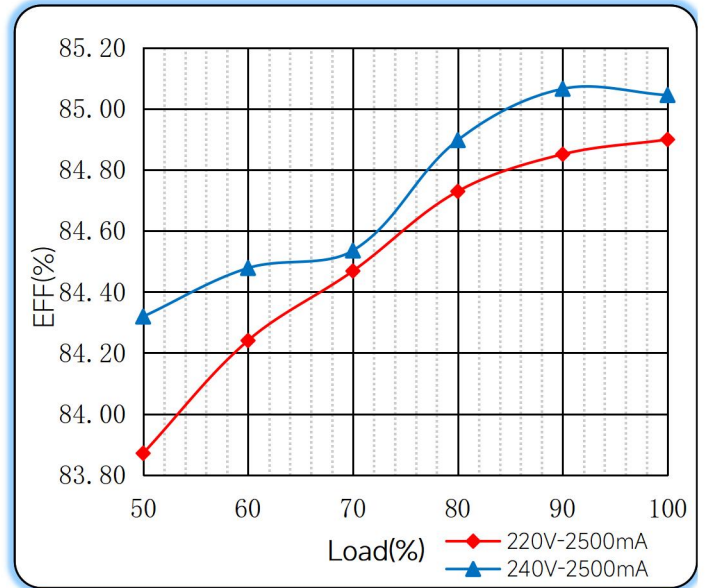
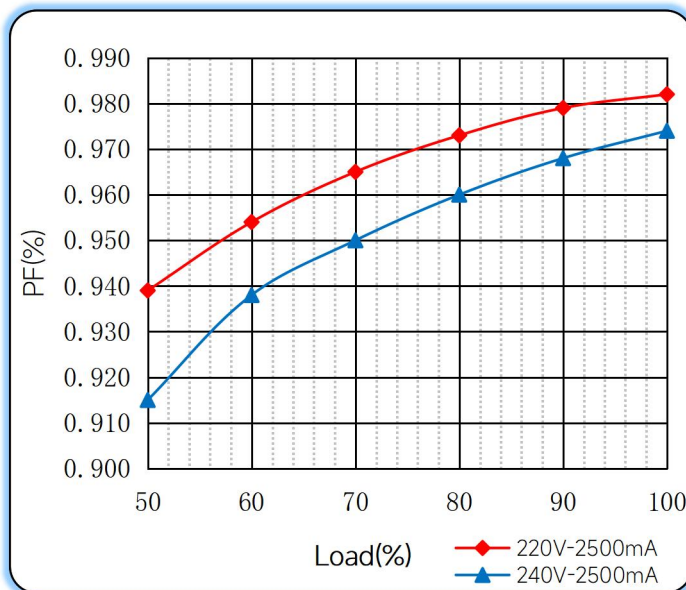
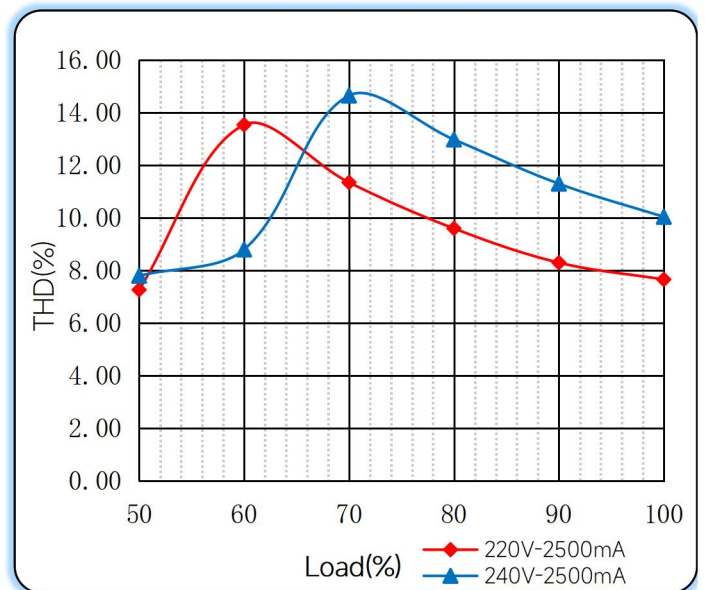


◆ Specification

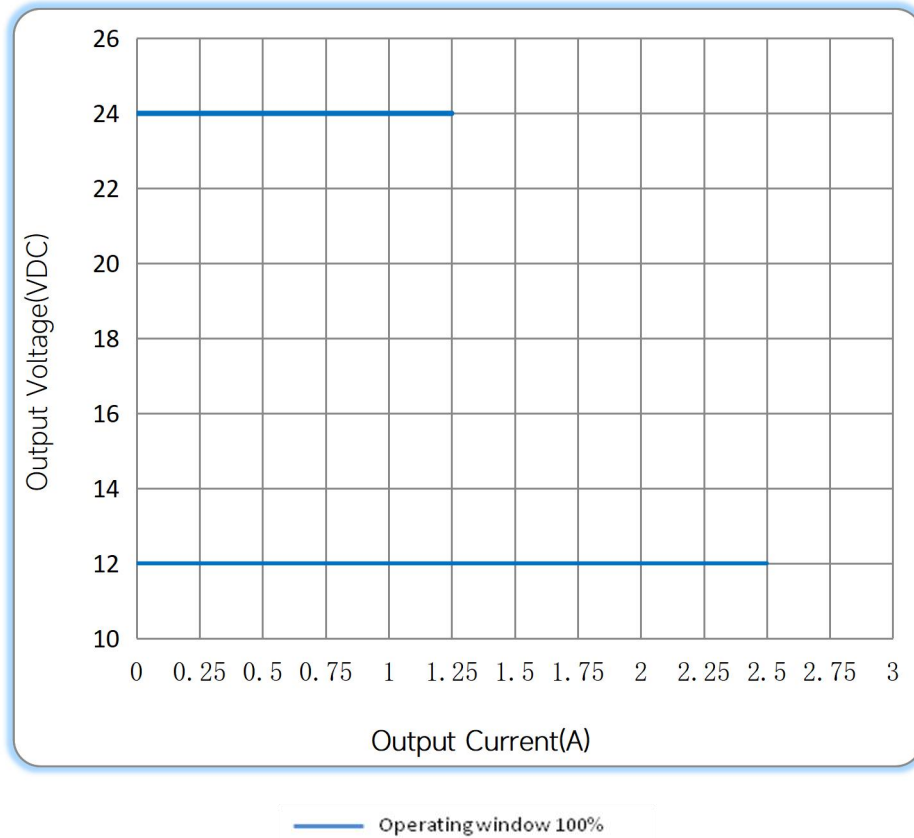
Output	Constant Voltage	12VDC	24VDC
	Current Range	0-2.5A	0-1.25A
	Voltage Accuracy	±5%	
	Output HF current ripple(≥1KHz)	±1%	
	Output LF current ripple(≤120Hz)	±1%	
	SVM	≤0.4	
	Pst	≤1	
	Efficiency(Typ.)	≥83%	≥85%
Input	Rated input voltage	220-240VAC	
	Range of input voltage	198-264VAC	
	Rated input voltage(DC)	176-250VDC	
	Frequency(Hz)	0/50/60 Hz	
	Power Factor	≥0.95	
	Input Current max	0.24A	
	Start-up time	< 0.5S	
	No Load Power	≤0.5W	
	THD (Typ.)	< 12% Typ. @Full load, 240VAC	< 8% Typ. @Full load, 220VAC
Protection	Over Load Protection	105-150%	
		YES/Auto Resume	
	Over Voltage Protection	> 12.6VDC	> 25.2VDC
		YES/Auto Resume	
	Short circuit Protection	YES/Auto Resume	
	YES/Auto Resume		
Environment	Operating Temperature	-20°C~+45°C	
	Humidity	20%-90%RH	
	Tc	90°C	
	Storage Temperature	-40°C~+60°C	
	Life time	> 50000h@Tc=85°C,230VAC	
Surface	Dimension	261X30X17(LXWXH)mm	
standards	EN 61347-1; EN61347-2-13; EN62384; EN55015; EN61000-3-2 ; EN61000-3-3; EN 61547;		
Others	ErP	EU 2019/2020	
	RoHS	RoHS (2011/65/EU) (EU)2015/863	
Note	1.All parameters NOT specially mentioned are measured at 230VAC input , full load and 25°C of ambient temperature. Ripple & Noise are measured at 20MHz of bandwidth by using a 300mm twisted pair-wire terminated with a 0.1uF & 47 uF parallel capacitor.		

◆ Wiring diagram

◆ 2D diagram


◆ Curve for US-30-12 LI1

Lifetime vs. Temperature Curve

Efficiency vs. Load

Power Factor Characteristics

THD vs. Load


◆ Operating window



◆ Revision Updates

ITEM	BEFORE	AFTER	VERSION	DATE
Initial			A	2022/05/15

Tel: +86-0757-86256822, +86-0757-86256831

E-mail: sales@eaglerise.com

Website : <https://lighting.eaglerise.com>



EAGLERISE



Manual