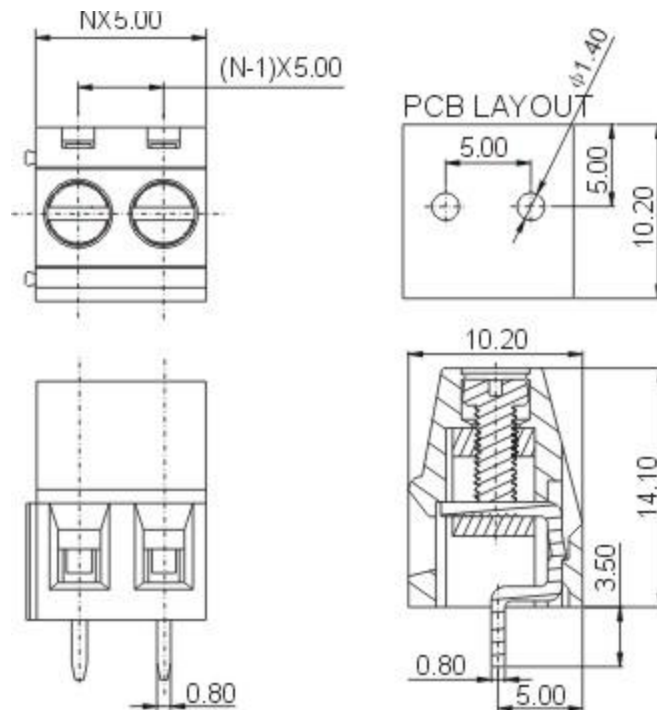


DG128-5.0



APPROVAL
Electrical

Standard
Rated voltage
Rated current
Wire range
Withstanding voltage



UL
300V
15A
24-12AWG



IEC
250V
18A
2.5mm²

AC2000V/1Min

Mechanical

Torque
Ambient temperature
Strip length

0.4Nm(3.5Lb-In)
-40°C~+105 °C
7mm

Dimensions

pitch
Poles

5.0mm(.197")
2P,3P-24P

Material

Housing
Screws
Pin header
Cage

PA66,UL94V-0
M2.5,Steel, Cr³⁺Znplated
Brass,Tin-plated
Brass,Ni-plated

HOW TO ORDER :

- **P** - -

X	X	X
Customer Request		

Series number

No. of pole

1	Single pitch
2	Double pitch

Color

1	Grey	4	Green	7	Trans Parent
2	Blue	5	Orange	8	Yellow
3	Black	6	Red	9	White

mm
(INCH)



DEGSON ELECTRONICS CO., LTD.

THROANGLE PROJECTION

NAME

DG128-5.0