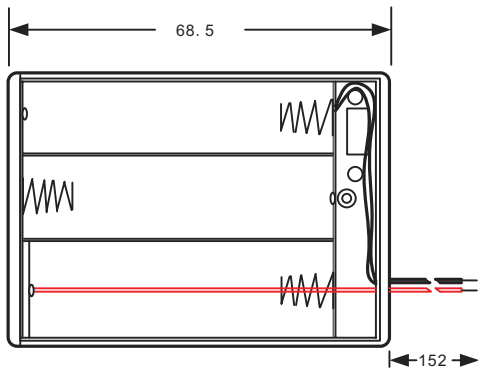


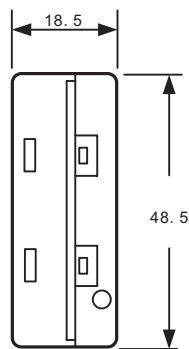
CONNTHERM

UM-3 OR "AA" Safety Battery Holder Series

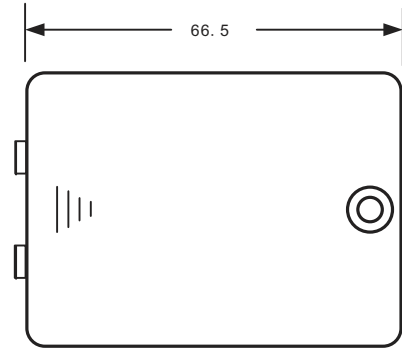
WIRE: UL 1007, # 26 AWG
BLACK & RED: 150 MM \pm 5MM
STRIP & TIN: 5 MM \pm 1MM
MATERIAL: A. B. S. RESIN, BLACK COLOR
SPRING: .6 MM 65C SPRING WIRE
DESCR.: FOR THREE "AA" CELLS
WITH COVER & SCREW



Holder



END VIEW



Cover