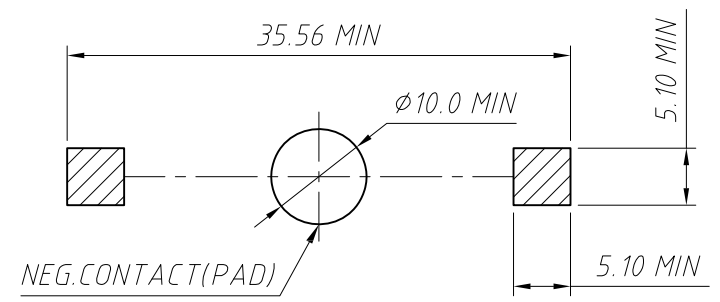
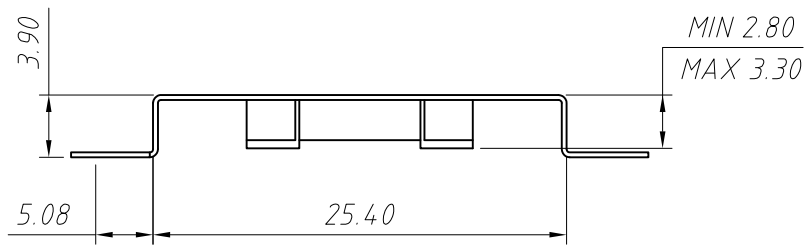
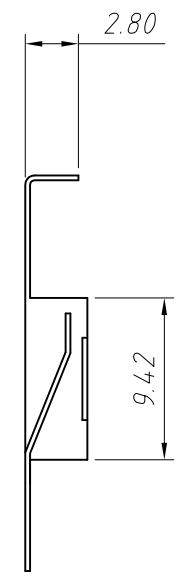
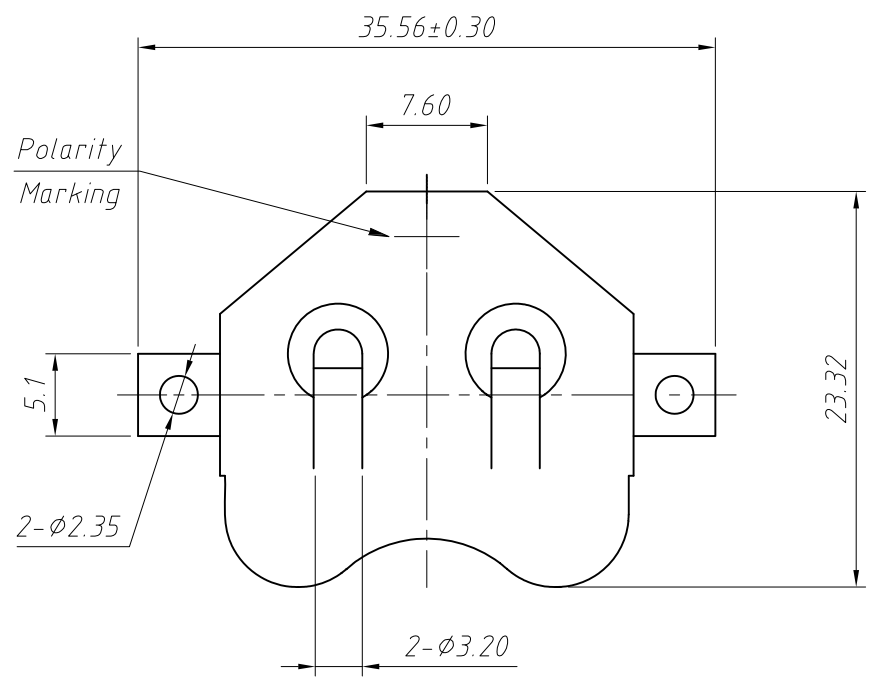


1
RoHS Compliance



PCB Mounting Layout

Notes:

- 1.Material:**
a. 0.25mm Thick Phosphor Bronze Nickel Plated
- 2.Electric:**
a.Current Rating:3A AC/DC
b.Dielectric Voltage:500V AC One Sec Level
c.Contact Resistance:30mΩ max.
d.Insulator Resistance:100MΩ min.
e.Operating Temperature:-40° C ~ +105° C
f.Humidity:40° C and 90-95% RH For 48 Hours
- 3.RoHS Compliant**

ANGLE TOLERANCE	PROJECTION		Description:	
±3°			CR2430 Battery button	
GENERAL TOLERANCE	UNITS	mm		
x.x ±0.30	SHEET SIZE	A4		
x.xx ±0.20	Draw:	Daniel	2018-07-10	
x.xxx ±0.10	Check:	Daniel	2018-07-10	

CONN THERM