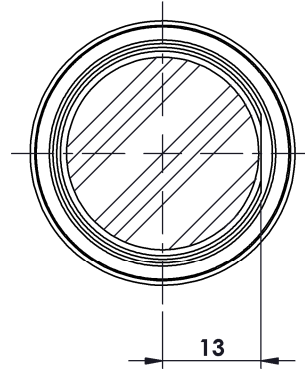
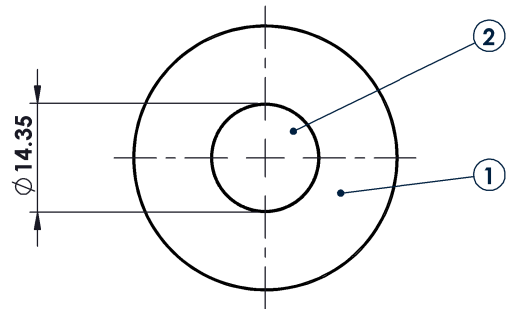
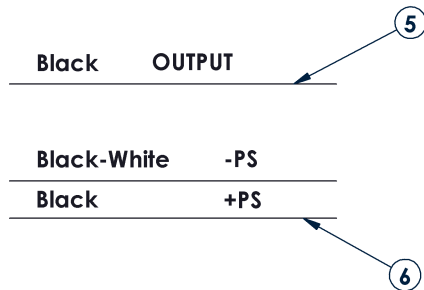
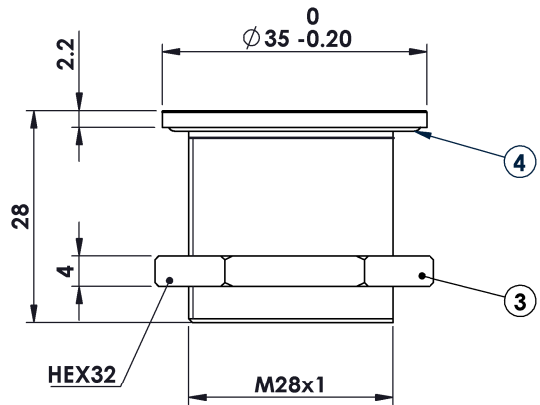


Scale 1:1



SPECIFICATIONS:
CONNECTION: WIRES 300 ± 5mm
POWER SUPPLY: 9 - 12 VDC max
OUTPUT: OPEN COLLECTOR
SWITCHING CURRENT: 1 A max
TIME OPERATON: 100msec - 2.2 sec max
DISTANCE: 127[5"] - 203[8"] mm (CALIBRATION)
OPERATING AND STORAGE TEMP: -20 °C TO +75 °C

NATURAL PASSIVATION



ITEM NO.	QTY.	DESCRIPTION	PART NUMBER
1	1	Housing Prox D35 AISI316 with spring	07012112
2	1	Sensor Base Prox	06120038
3	1	Nut M28x1, BRASS (Ni COATED)	07099046
4	1	O-Ring 29.87x1.78, NBR	04510297
5	1	Cable Black-Red	06009025
6	1	Cable Black/White-Black	06009026
	A4	TOLERANCE ±0.1	
Itemref	Quantity	Title/Name, designation, material, dimension etc	Article No./Reference
Approved by: Roi Ben Shitrit		Designed by: Inna Hatkevich	Filename: 18000101_910-703
			Drawing_n: 910-703
			Scale: 1:1
			Draw Date: 20.07.2020
		18 Ha-Tzoran Blvd, Industrial Park Kiryat Gat 8258100 Israel Tel. + 972 (0) 73 2511020 Fax. + 972 (0) 73 2511021	
		SBI33ABC122N OP Infrared device Open Collector	
		Cat num: 18000101	Edition 1 Sheet 1/1