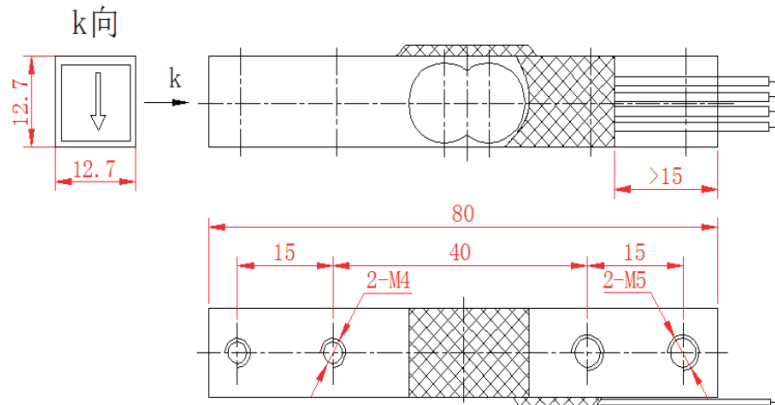


# L611N

Applicable for postal scale, body scale, coffee maker, beer machine, simcar accessories and other micro electrical weighing instrument.



Type	L611N
Maximum capacity (E)max (kg)	1~50
Temperature effect on zero balance (TK0) (%F.S/10°C)	±0.5
Sensitivity(Cn)	1.0±0.15
Temperature effect on sensitivity (TKC) (%F.S/10°C)	±0.05
Non-linearity(dlin) (%F.S)	±0.05
Hysteresis error(dhy) (%F.S)	±0.05
Repeatability (%F.S)	±0.05
Creep(3min) (%F.S)	±0.05
Off center load error (%F.S)	±0.1
Zero balance (mV/V)	±0.1
Input resistance (RLC) (Ω)	1000±10
Output resistance (RO) (Ω)	1000±10
Reference excitation voltage (Uref) (V)	5
Operating voltage (Bu) (V)	3~10
Insulation resistance (Ris) at 100 VDC (GΩ)	2
Service temperature range (Btu) (°C)	0 ~ +40
Storage temperature range (Btl) (°C)	-10~ +60
Safe load limit (EL) (% of Emax)	120
Breaking load (Ed) (% of Emax)	150
Deflection at Max.capacity (mm)	<0.5
Material	65Mn
Degree of protection	IP65