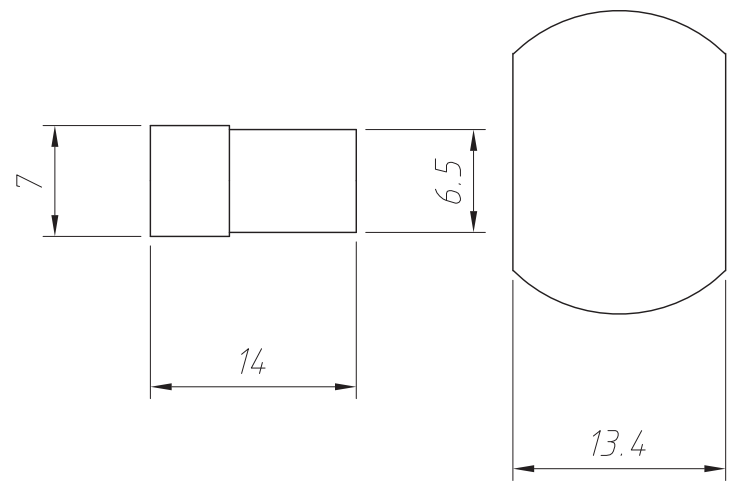
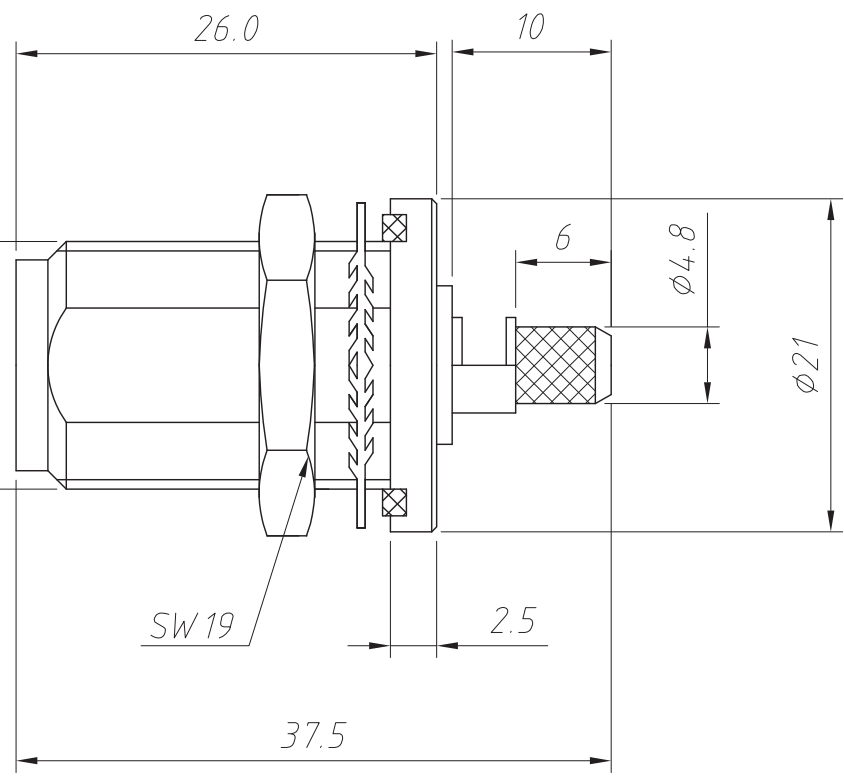


1
RoHS Compliance



5/8-24 UNEF-2A

- Material:**
- 1. Body: Brass, Nickel 20-30U"
 - 2. Pin: Brass, Gold 2-3U"
 - 3. Insulator: PTFE
 - 4. Pressing tube: Brass, Nickel 20-30U"
 - 5. Seal ring: Silicon rubber, Red
 - 6. Hexagon nut: Brass, Nickel 20-30U"
 - 7. Washer: stainless steel, passivated

- Electrical Specifications:**
- Impedance: 50Ω
 - Working frequency: 0-3GHz
 - Working voltage: 400V
 - Withstand voltage: 2500V
 - Temperature Range: - 55°C to +155°C
 - Durability: 500Cycles Min.

ANGLE TOLERANCE	PROJECTION	Description:	
±3°		SMA connectors	
GENERAL TOLERANCE	UNITS	mm	
x.x ±0.30	SHEET SIZE	A4	
x.xx ±0.20	Draw:	Daniel	2020-11-11
x.xxx ±0.10	Check:	Daniel	2020-11-11

CONN THERM