

# D

# 6010-K

60x60x10mm(2.36"x2.36"x0.39")



HOUSING Thermoplastic PBT, UL94V-0  
IMPELLER Thermoplastic PBT, UL94V-0  
BEARING Ball or Sleeve  
OPERATING TEMPERATURE -10°C to + 70°C  
DIELECTRIC STRENGTH 5mA Max. at 500 VAC for 1 minute  
INSULATION RESISTANCE 10M  $\Omega$  min. @500 VDC  
WEIGHT 26 g  
ROHS COMPLIANCE Yes  
IP LEVEL IP21 (Special IP Rating On Request)

# 60

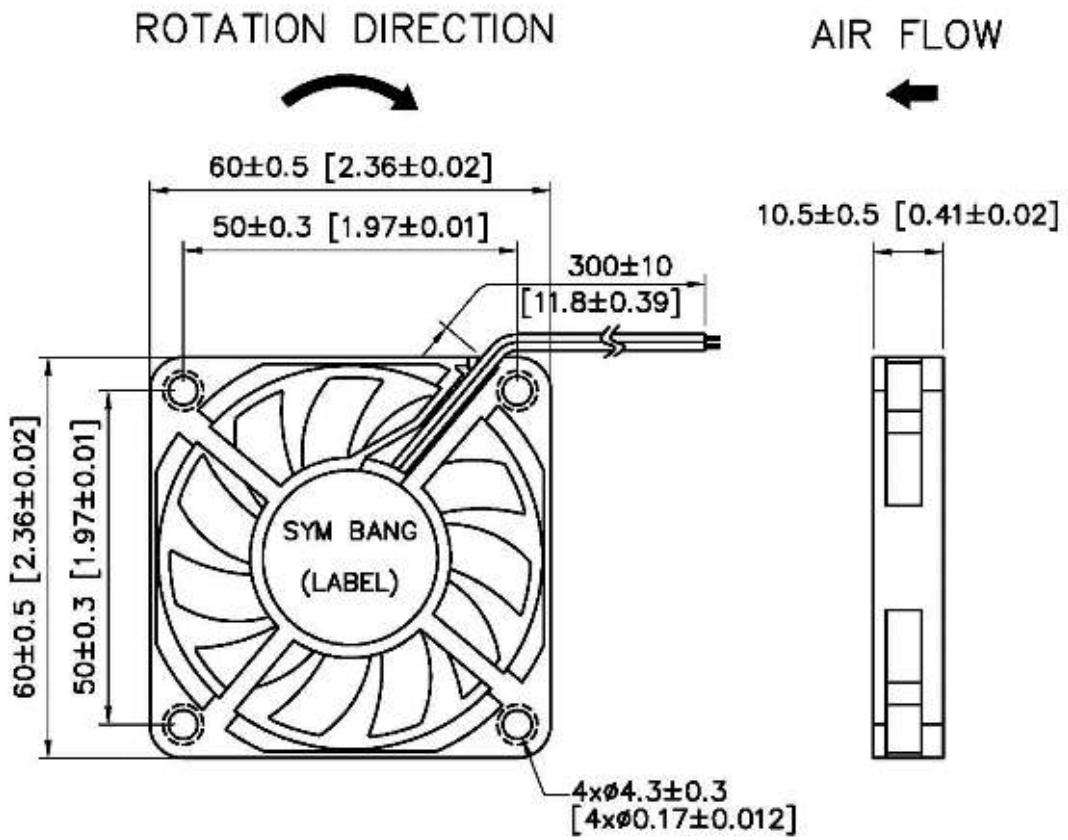
 mm

## SPECIFICATION

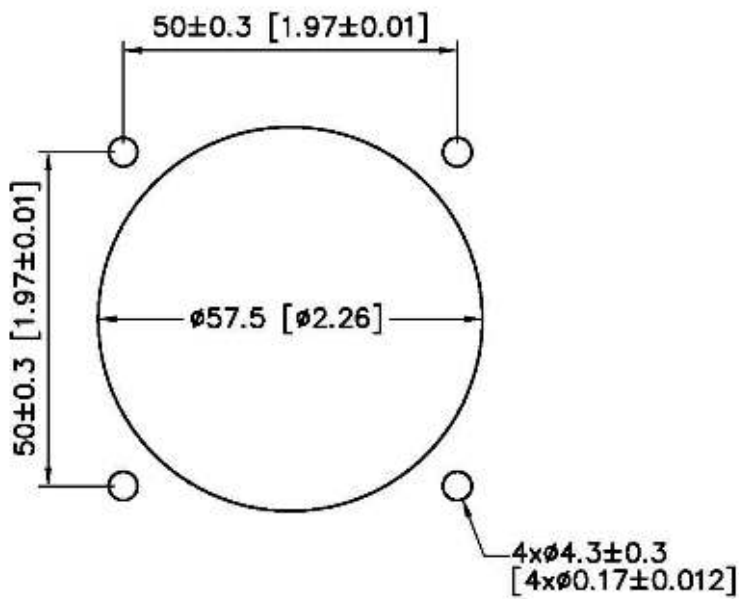
MODEL NO.	RATED VOLTAGE(V)	RATED CURRENT(A)	INPUT POWER(W)	SPEED (RPM)	MAX. AIR PRESSURE		MAX. AIR FLOW		NOISE dB(A) @1M
					inchH2O	mmH2O	CFM	m3/min	
D6010V5H-K	5	0.42	2.10	4900	0.16	4.1	19.9	0.56	37
D6010V5L-K	5	0.30	1.50	3500	0.08	2.0	14.3	0.40	28
D6010V5M-K	5	0.38	1.90	4200	0.12	3.1	17.1	0.48	33
D6010V12L-K	12	0.14	1.68	3500	0.08	2.0	14.3	0.40	28
D6010V12M-K	12	0.17	2.04	4200	0.12	3.1	17.1	0.48	33
D6010V12H-K	12	0.20	2.40	4900	0.16	4.1	19.9	0.56	37
D6010V24L-K	24	0.05	1.20	3500	0.08	2.0	14.3	0.40	28
D6010V24M-K	24	0.08	1.92	4200	0.12	3.1	17.1	0.48	33
D6010V24H-K	24	0.10	2.40	4900	0.16	4.1	19.9	0.56	37

SYMBANG

DIMENSION



Mounting Panel Cutout  
Outlet Side & Inlet Side



UNIT: mm[inch]

# AIR PERFORMANCE

