

GigaDevice Semiconductor Inc.

GD32VF103C-START

User Guide

V1.1

Table of Contents

Table of Contents	1
List of Figures	2
List of Tables	3
1. Summary	4
2. Function Pin Assign	4
3. Getting started	4
4. Hardware layout overview.....	4
4.1. Power supply	4
4.2. Boot option	5
4.3. LED	5
4.4. KEY	5
4.5. USBFS	6
4.6. GD-Link	6
4.7. MCU	7
4.8. Arduinio.....	7
5. Routine use guide.....	8
5.1. GPIO_Runing_LED	8
5.1.1. DEMO purpose	8
5.1.2. DEMO running result	8
5.2. GPIO_Key_Polling_mode.....	8
5.2.1. DEMO purpose	8
5.2.2. DEMO running result	8
5.3. EXTI_Key_Interrupt_mode.....	9
5.3.1. DEMO purpose	9
5.3.2. DEMO running result	9
5.4. USBFS_Device.....	9
5.4.1. CDC_ACM	9
5.4.2. MSC	10
5.5. USBFS_Host	11
5.5.1. MSC	11
6. Revision history	12

List of Figures

Figure 4-1 Schematic diagram of power supply.....	4
Figure 4-2 Schematic diagram of boot option	5
Figure 4-3 Schematic diagram of LED function	5
Figure 4-4 Schematic diagram of Key function	5
Figure 4-5 Schematic diagram of USBFS.....	6
Figure 4-6 Schematic diagram of GD-Link.....	6
Figure 4-7 Schematic diagram of MCU.....	7
Figure 4-8 Schematic diagram of Arduino	7

List of Tables

Table 2-1 Function pin assignment.....	4
Table 6-1 Revision history	12

1. Summary

GD32VF103C-START uses GD32VF103CBT6 as the main controller. It uses Mini USB interface to supply 5V power. Reset, Boot, Wakeup key, LED, GD-Link and Arduino are also included.

2. Function Pin Assign

Table 2-1 Function pin assignment

Function	Pin	Description
LED	PA7	LED1
RESET		K1-Reset
KEY	PA0	K2-Wakeup key
USB	PA11	USB_DM
	PA12	USB_DP
	PA9	USB_VBUS

3. Getting started

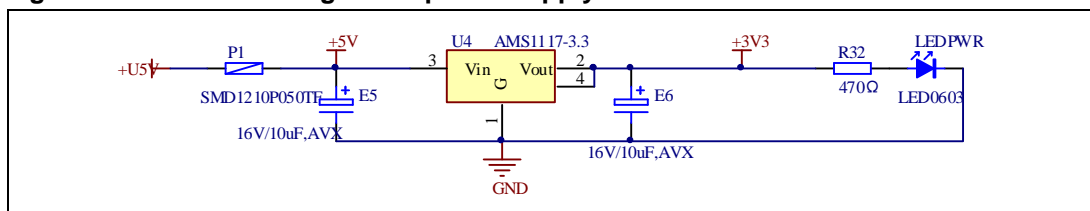
The EVAL board uses Mini USB connector to get power DC +5V, which is the hardware system normal work voltage. A GD-Link on board is necessary in order to download and debug programs. Select the correct boot mode and then power on, the LEDPWR will turn on, which indicates that the power supply is OK.

The projects are created based on eclipse 4.7.2. Note that to configure the “Debug Configurations” before debug and download.

4. Hardware layout overview

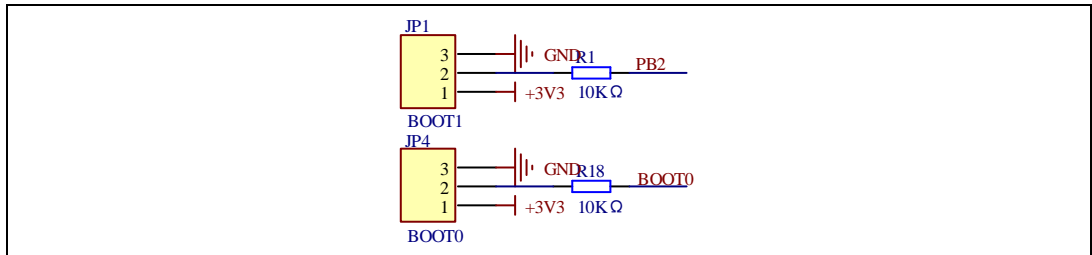
4.1. Power supply

Figure 4-1 Schematic diagram of power supply



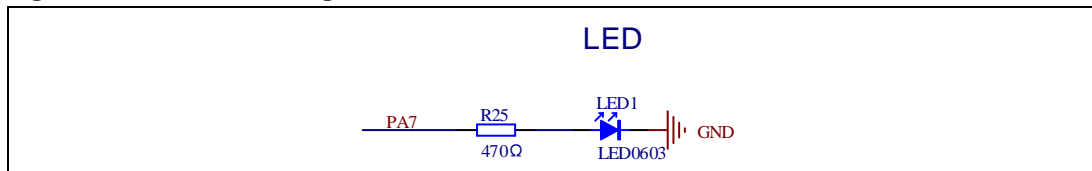
4.2. Boot option

Figure 4-2 Schematic diagram of boot option



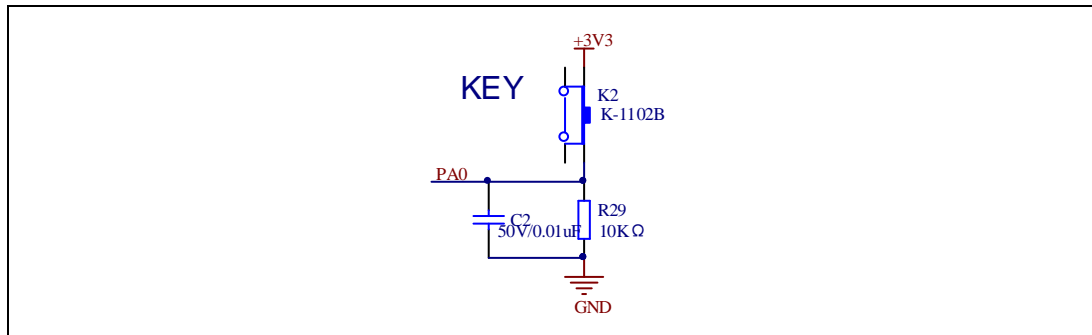
4.3. LED

Figure 4-3 Schematic diagram of LED function



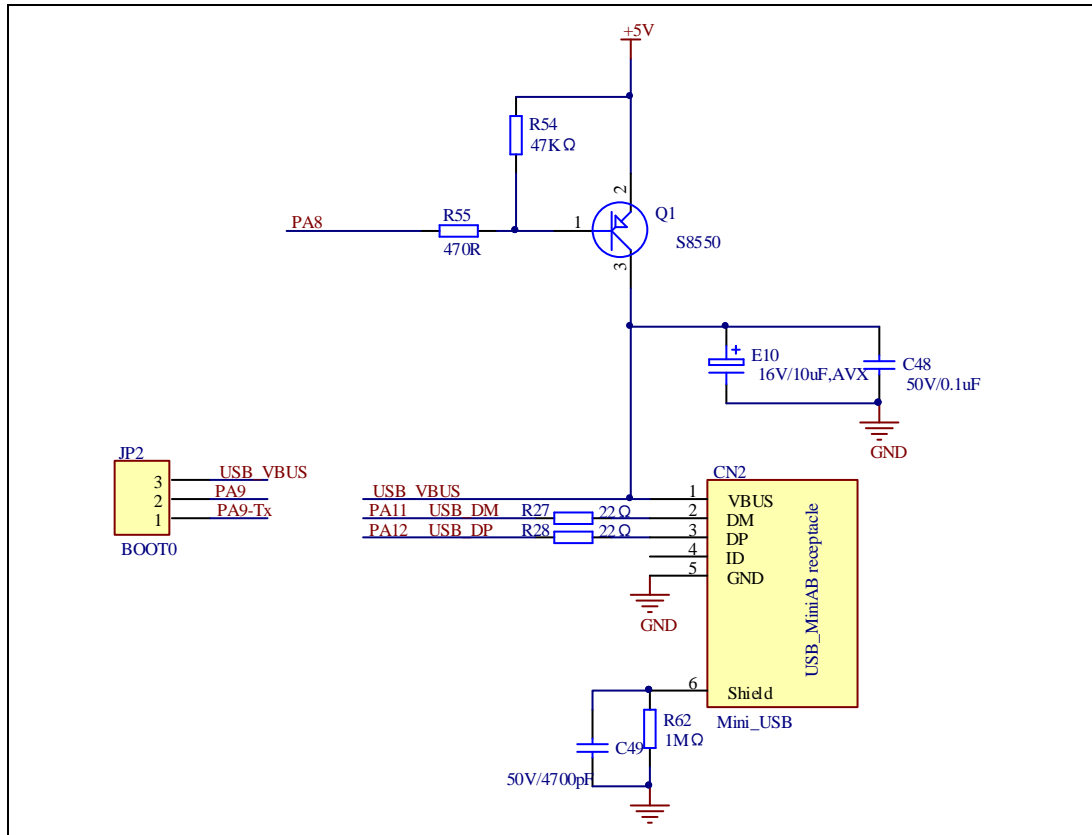
4.4. KEY

Figure 4-4 Schematic diagram of Key function



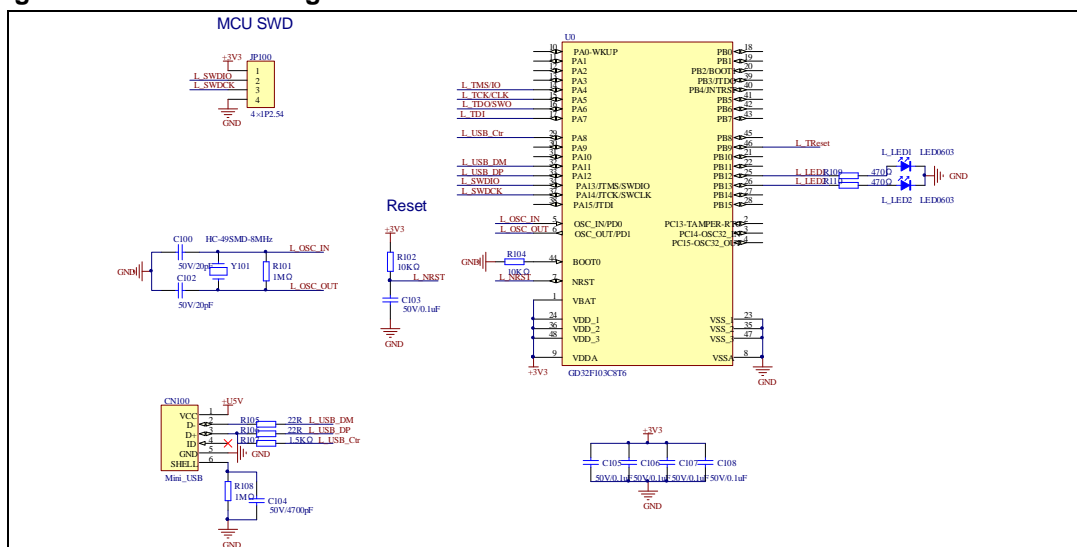
4.5. USBFS

Figure 4-5 Schematic diagram of USBFS



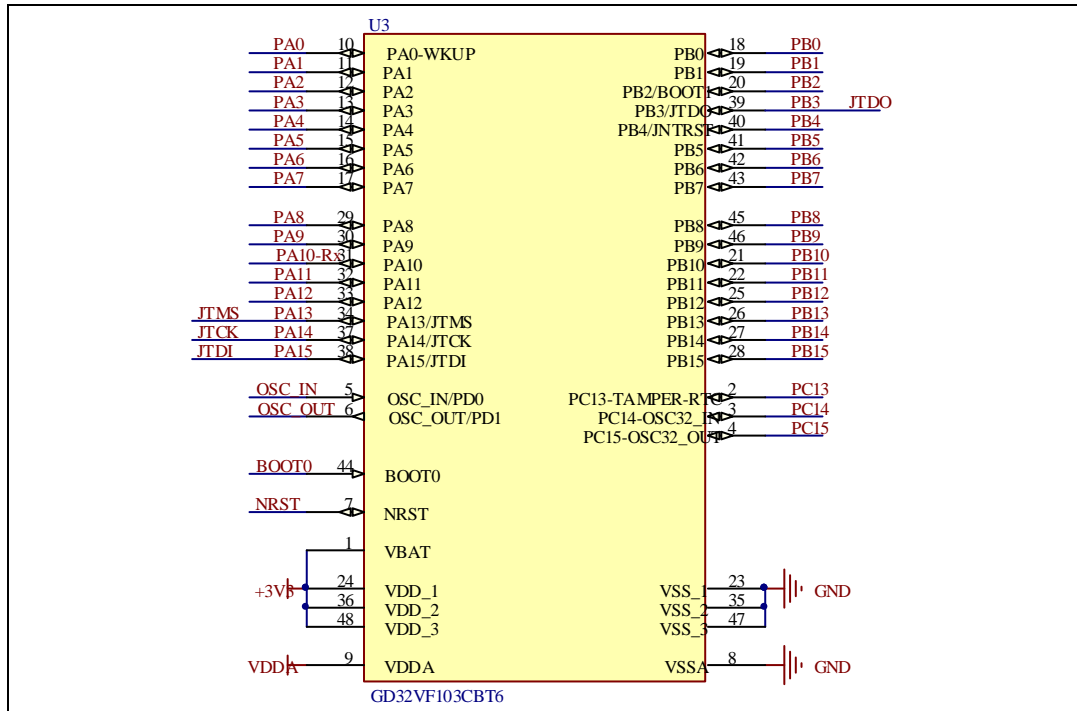
4.6. GD-Link

Figure 4-6 Schematic diagram of GD-Link



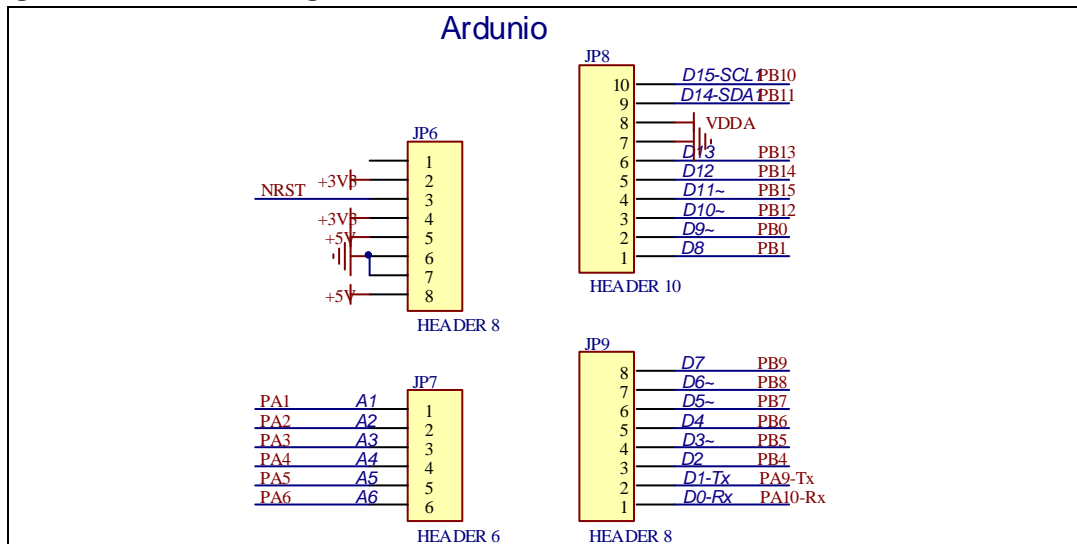
4.7. MCU

Figure 4-7 Schematic diagram of MCU



4.8. Arduinio

Figure 4-8 Schematic diagram of Arduinio



5. Routine use guide

5.1. GPIO_Runing_LED

5.1.1. DEMO purpose

This demo includes the following functions of GD32 MCU:

- Learn to use GPIO control the LED
- Learn to use SysTick to generate 1ms delay

GD32VF103C-START board has one LED. The LED1 is controlled by GPIO. This demo will show how to light the LED.

5.1.2. DEMO running result

Download the program < 01_GPIO_Running_LED > to the EVAL board, LED1 will turn on and off in sequence with interval of 1000ms, repeat the process.

5.2. GPIO_Key_Polling_mode

5.2.1. DEMO purpose

This demo includes the following functions of GD32 MCU:

- Learn to use GPIO control the LED and the KEY
- Learn to use SysTick to generate 1ms delay

GD32VF103C-START board has one LED and Wakeup key. The LED1 is controlled by GPIO.

This demo will show how to use the Wakeup key to control the LED1. When press down the Wakeup Key, it will check the input value of the IO port. If the value is 1 and will wait for 50ms. Check the input value of the IO port again. If the value still is 1, it indicates that the button is pressed successfully and toggle LED1.

5.2.2. DEMO running result

Download the program < 02_GPIO_Key_Polling_mode > to the EVAL board, the LED1 will flash once for test, press down the Wakeup Key, LED1 will be turned on. Press down the Wakeup Key again, LED1 will be turned off.

5.3. EXTI_Key_Interrupt_mode

5.3.1. DEMO purpose

This demo includes the following functions of GD32 MCU:

- Learn to use GPIO control the LED and the KEY
- Learn to use EXTI to generate external interrupt

GD32VF103C-START board has one LED and Wakeup key. The LED1 is controlled by GPIO.

This demo will show how to use the EXTI interrupt line to control the LED1. When press down the Wakeup Key, it will produce an interrupt. In the interrupt service function, the demo will toggle LED1.

5.3.2. DEMO running result

Download the program < 03_EXTI_Key_Interrupt_mode > to the EVAL board, the LED1 will flash once for test, press down the Wakeup Key, LED1 will be turned on. Press down the Wakeup Key again, LED1 will be turned off.

5.4. USBFS_Device

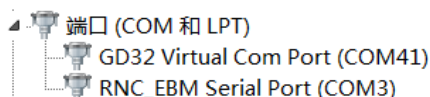
5.4.1. CDC_ACM

DEMO purpose

This demo includes the following functions of GD32 MCU:

- Learn how to use the USBFS peripheral
- Learn how to implement USB CDC device

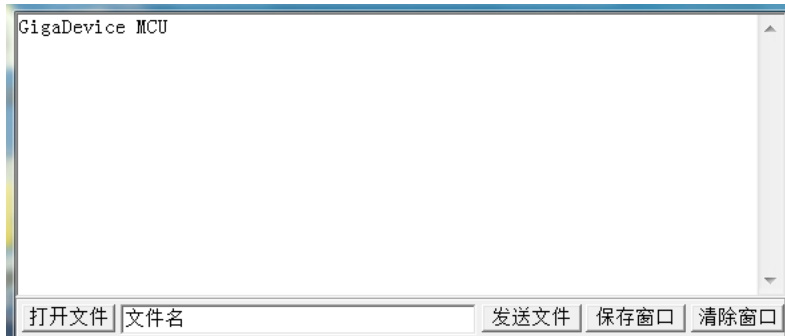
Start board has one USBFS interface. In this demo, the startboard is enumerated as an USB virtual COM port, which was shown in device manager of PC as below. This demo makes the USB device look like a serial port, and loops back the contents of a text file over USB port. To run the demo, input a message using the PC's keyboard. Any data that shows in HyperTerminal is received from the device.



DEMO running result

Download the program <04_USBFS\Device\CDC_ACM> to the start board and run. When you input message through computer keyboard, the HyperTerminal will receive and shown

the message. For example, when you input “GigaDevice MCU”, the HyperTerminal will get and show it as below.



5.4.2. MSC

DEMO Purpose

This demo includes the following functions of GD32 MCU:

- Learn how to use the USBFS
- Learn how to implement USB MSC(mass storage) device

This demo mainly implements a U disk. U disk is currently very widely used removable MSC devices. MSC, the Mass Storage device Class, is a transport protocol between a computer and mobile devices, which allow a universal serial bus (USB) equipment to access a host computing device, file transfer between them, mainly including mobile hard disk, mobile U disk drive, etc. The MSC device must have a storage medium, and this demo uses the MCU's internal flash as the storage medium. For more details of the MSC protocol please refer to the MSC protocol standard.

MSC device will use a variety of transport protocols and command formats for communication, so it need to choose the appropriate protocol and command format in the realization of the application. This demo selects the BOT (bulk only transport) protocol and the required SCSI (small computer interface) command, and is compatible with a wide variety of Window operating systems. Specific BOT protocol and SCSI command specification please refer to the standard of their agreement.

DEMO Running Result

Download the program <04_USBFS\Device\MSC > to the start board and run. When the start board connect to the PC, you will find a USB large capacity storage device is in the universal serial bus controller, and there is 1 more disk drives in the equipment manager of PC.

Then, after opening the resource manager, you will see more of the 1 disk, as shown in the following diagram:



At this point, the write/read/formatting operation can be performed as the other mobile devices.

5.5. USBFS_Host

5.5.1. MSC

DEMO Purpose

This demo includes the following functions of GD32 MCU:

- Learn to use the USBFS as a MSC host
- Learn the operation between the MSC host and the Udisk

GD32VF103C-START board integrates the USBFS module, and the module can be used as a USB device, a USB host or an OTG device. This demo mainly shows how to use the USBFS as a USB MSC host to communicate with external Udisk.

DEMO Running Result

Jump the JP2 to OTG. Then insert the OTG cable to the USB port, download the program <04_USBFS \Host\MSC> to the start board and run.

If an Udisk has been attached, the user could press the wakeup key three times, thus, write file to the Udisk, finally the user will see LED1 on, that the MSC host demo is end.

6. Revision history

Table 6-1 Revision history

Revision No.	Description	Date
1.0	Initial Release	Jun.05, 2019
1.1	Update the titles of chapter 5.4 and 5.5	Sept.18, 2019

Important Notice

This document is the property of GigaDevice Semiconductor Inc. and its subsidiaries (the "Company"). This document, including any product of the Company described in this document (the "Product"), is owned by the Company under the intellectual property laws and treaties of the People's Republic of China and other jurisdictions worldwide. The Company reserves all rights under such laws and treaties and does not grant any license under its patents, copyrights, trademarks, or other intellectual property rights. The names and brands of third party referred thereto (if any) are the property of their respective owner and referred to for identification purposes only.

The Company makes no warranty of any kind, express or implied, with regard to this document or any Product, including, but not limited to, the implied warranties of merchantability and fitness for a particular purpose. The Company does not assume any liability arising out of the application or use of any Product described in this document. Any information provided in this document is provided only for reference purposes. It is the responsibility of the user of this document to properly design, program, and test the functionality and safety of any application made of this information and any resulting product. Except for customized products which has been expressly identified in the applicable agreement, the Products are designed, developed, and/or manufactured for ordinary business, industrial, personal, and/or household applications only. The Products are not designed, intended, or authorized for use as components in systems designed or intended for the operation of weapons, weapons systems, nuclear installations, atomic energy control instruments, combustion control instruments, airplane or spaceship instruments, transportation instruments, traffic signal instruments, life-support devices or systems, other medical devices or systems (including resuscitation equipment and surgical implants), pollution control or hazardous substances management, or other uses where the failure of the device or Product could cause personal injury, death, property or environmental damage ("Unintended Uses"). Customers shall take any and all actions to ensure using and selling the Products in accordance with the applicable laws and regulations. The Company is not liable, in whole or in part, and customers shall and hereby do release the Company as well as its suppliers and/or distributors from any claim, damage, or other liability arising from or related to all Unintended Uses of the Products. Customers shall indemnify and hold the Company as well as its suppliers and/or distributors harmless from and against all claims, costs, damages, and other liabilities, including claims for personal injury or death, arising from or related to any Unintended Uses of the Products.

Information in this document is provided solely in connection with the Products. The Company reserves the right to make changes, corrections, modifications or improvements to this document and Products and services described herein at any time, without notice.