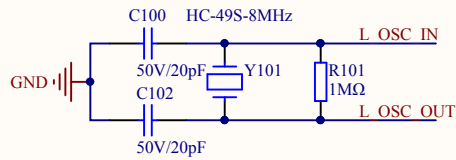
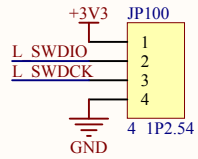
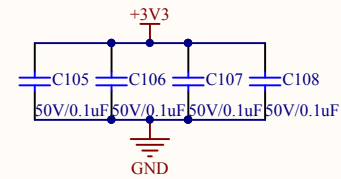
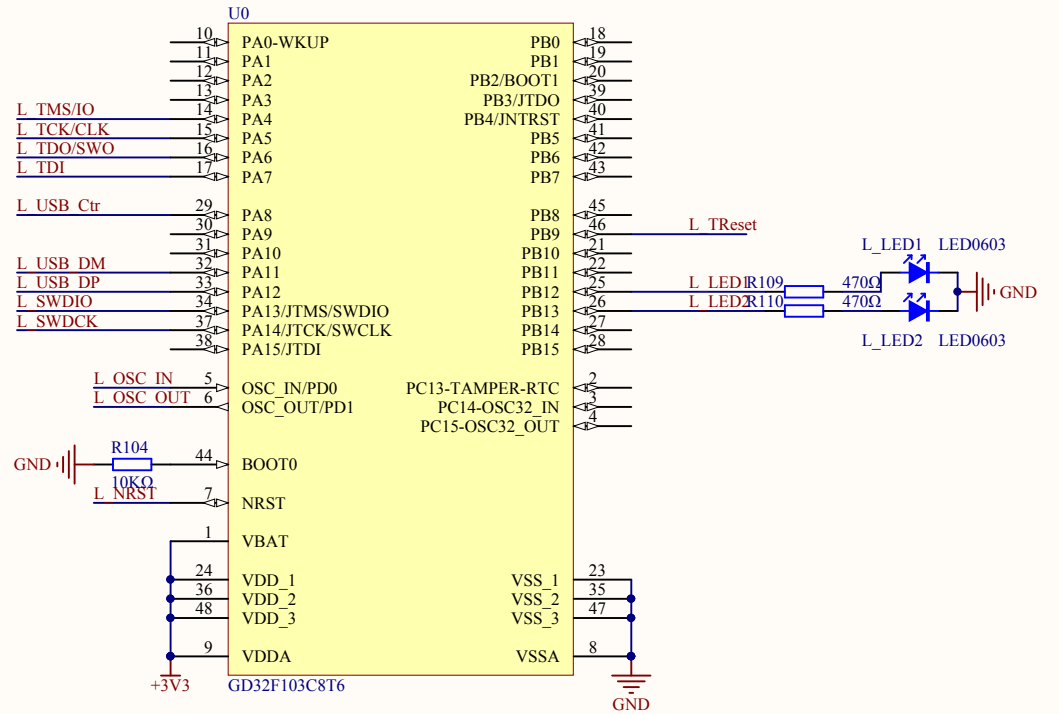
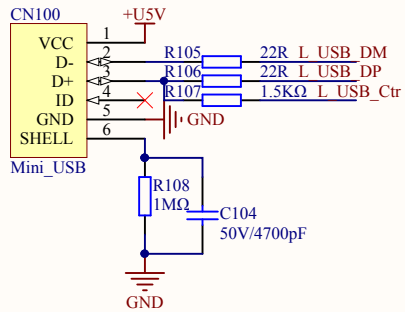
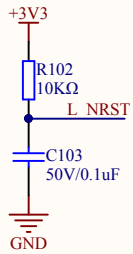


### MCU SWD



### Reset



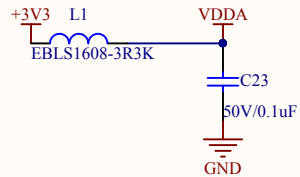
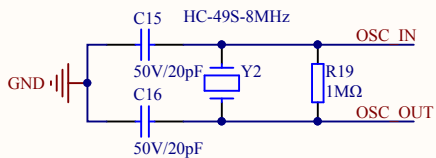
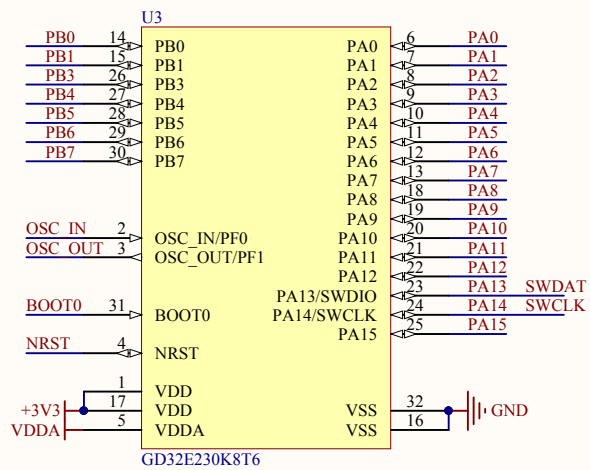
Company Name: GigaDevice

File Name: GDLink

Revision: 1.0

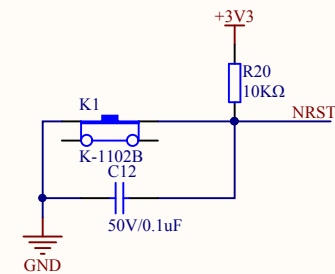
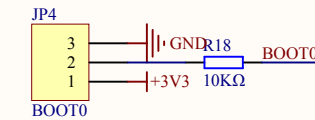
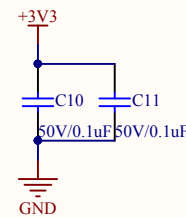
Data: 2018-9

Author: XuFei



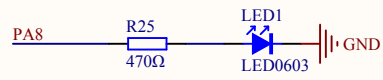
SWD GLink

SWDAT	L TMS/I/O
SWCLK	L TCK/CLK
NRST	L TReset

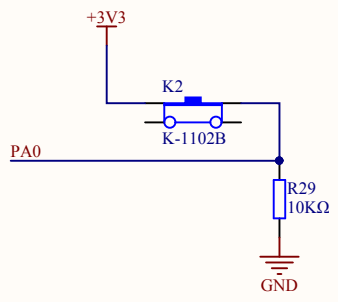


<b>Company Name: GigaDevice</b>		
<b>File Name: MCU</b>		
Revision: 1.0	Data: 2018-10	Author: Xufei

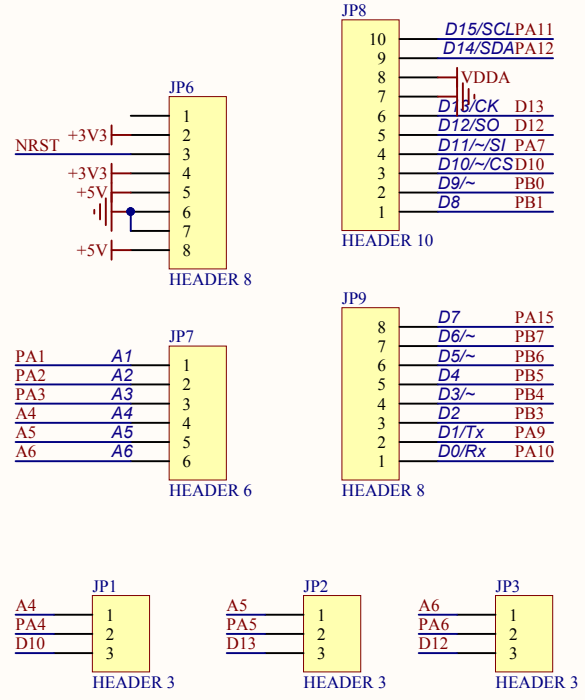
### LED



### KEY



## Arduinio



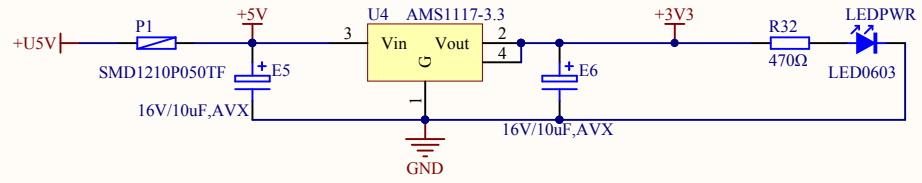
**Company Name: GigaDevice**

**File Name: Peripherals**

Revision: 1.0

Data: 2018-10

Author: Xufei



**Company Name: GigaDevice**

**File Name: Power**

Revision: 1.0

Data: 2018-9

Author: Xufei

**GD32**  
 GD32MCU.com  
 GD32E230K-START  
 2018-10 V1.0

