

D

17051

Ø172x51mm(Ø6.7"x2")



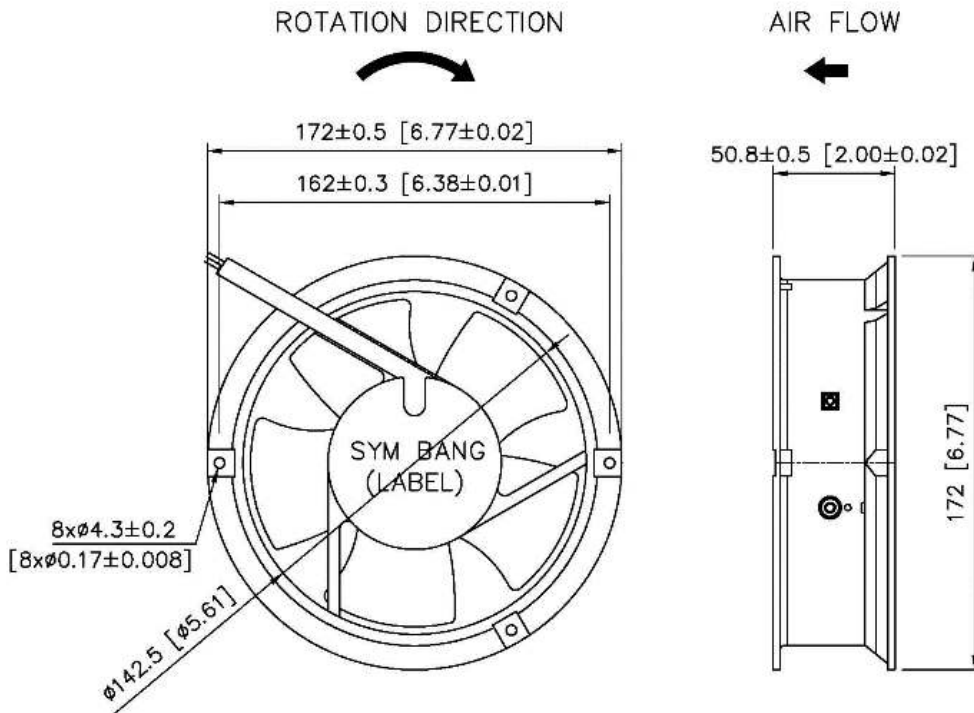
HOUSING	Aluminum Die Casting, Painted Blakk
IMPELLER	Thermoplastic PBT, UL94V-0
BEARING	Ball
OPERATING TEMPERATURE	-10°C to + 60°C
DIELECTRIC STRENGTH	5mA Max. at 500 VAC for 1 minute
INSULATION RESISTANCE	10M Ω min. @500 VDC
WEIGHT	730 g
ROHS COMPLIANCE	Yes
IP LEVEL	IP21 (Special IP Rating On Request)

172 mm

SPECIFICATION

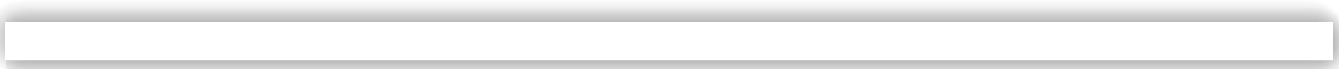
MODEL NO.	RATED VOLTAGE(V)	RATED CURRENT(A)	INPUT POWER(W)	SPEED (RPM)	MAX. AIR PRESSURE		MAX. AIR FLOW		NOISE dB(A) @1M
					inchH2O	mmH2O	CFM	m3/min	
D17051V24HB	24	0.8	19.2	3400	0.62	15.7	216	6.12	60
D17051V24MB	24	0.6	14.4	2900	0.54	13.9	202	5.69	56
D17051V24LB	24	0.45	10.8	2400	0.38	9.6	160	5.04	51
D17051V48HB	48	0.4	19.2	3400	0.62	15.7	216	6.12	60
D17051V48MB	48	0.35	16.8	2900	0.54	13.9	202	5.69	56
D17051V48LB	48	0.25	12	2400	0.38	9.6	160	5.04	51

DIMENSION



UNIT: mm[inch]

SYMBANG



AIR PERFORMANCE

