

RS-MM1018-ATx Micro Miniature Reed Switch

This 10.0 mm long, Form A type Micro Miniature reed switch is designed for moderate power, low load applications. The fast operate time lends itself to high speed switching applications also. This Reed Switch has a cost advantage over the **RS-UM0018-ATx** Ultra-miniature series. Leads are flattened for orienting the internal blades to face one way while soldering or welding and the three different Release AT types available, cover a wide range of Release AT specific applications. The cropped version of this Micro Miniature Reed Switch is suitable for smaller plastic housings and can be soldered to cables, the SMD version is suitable for reflow on PCBs, and the vertical and horizontal mount versions are suitable for mounting on through hole PCBs.

FEATURES

- Release AT Configurable.
- Ruthenium contact.
- 10.0 mm Glass length.
- Normally Open.
- Inert gas filled.
- 4 types of Lead Formations.

APPLICATIONS

- Reed sensors for Automobile Power windows
- Reed sensors to control Automobile Sun-roofs
- Magnet sensors in End position sensing in Cylinders and Pistons
- Reed sensors in Safety Vane applications
- Reed switches in Electronics and Science Kits
- Reed switches and Reed sensors in Lap counter in slot car racing tracks
- Reed sensors in Model Train Tracks
- Reed sensors in LEGO sensors
- Reed switches and Reed sensors in Digital Fishing Reels
- Reed switches and Reed sensors in Pressure Gauges
- Reed sensors in Accurate fuel level sensing
- Reed switches as Impact sensors for triggering airbags

ELECTRICAL

Contact Form		A
Contact Rating (max)	W/VA	10.0
Switching Current (max)	A	0.5
Carry Current (max)	A	0.75
DC Switching Voltage (max)	V _{DC}	100
AC Switching Voltage (max)	V _{AC}	70
Breakdown Voltage (min)	V _{DC}	200
Contact Resistance (max)	mΩ	150
Insulation Resistance (min)	Ω	10 ⁹
Capacitance (typ)	pF	0.2

RS-MM1018-ATx Micro Miniature Reed Switch

MISCELLANEOUS

Operate Time (max)	ms	0.35
Bounce Time (max)	ms	0.3
Release Time (max)	ms	0.15
Resonance Frequency (typ)	Hz	>2000
Operating Frequency (max)	Hz	500
Operating Temperature	°C	-40 to +120
Shock Resistance (½Sin wave for 11ms)	G	30
Vibration Resistance (10-2000Hz)	G	20
Test Coil Number		717 102 003

ORDERING CODE

RS-MM1018-AT(Release AT Code)-(Operate Band)-(Formation code)

Release AT Code		L	M	H
Operate Band	AT	10-40	10-40	10-40
Corresponding Release Band	AT	4-20	6-25	7.5-30

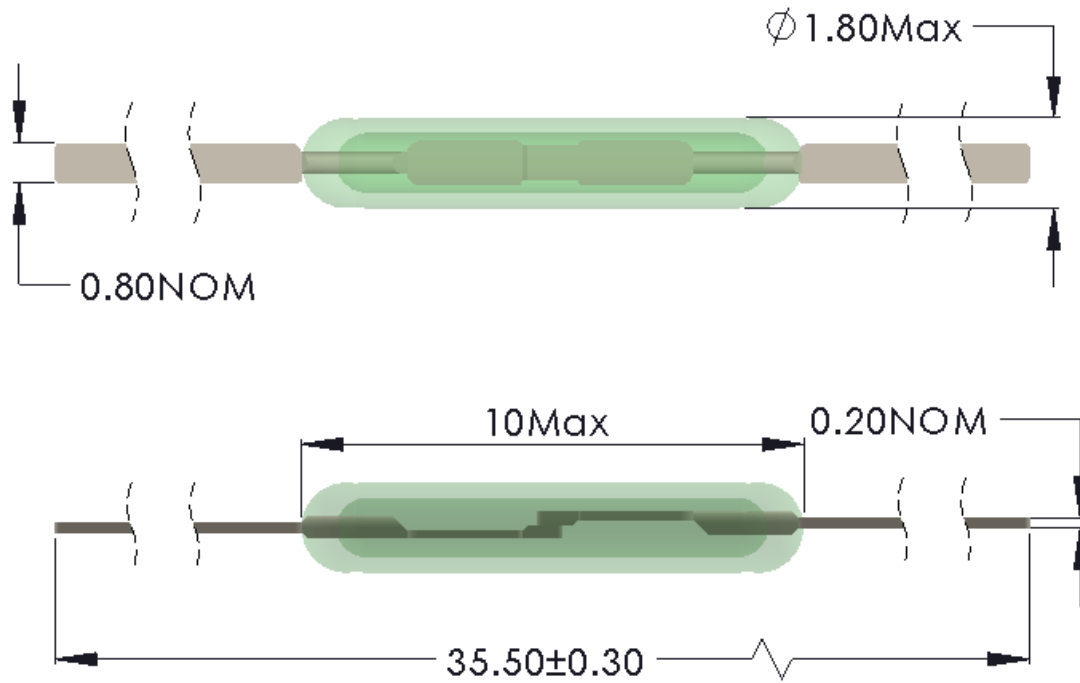
Formation Code	Lead Type
	Full Length Leads
C	Cropped
S	SMD
H	Horizontal Mount
V	Vertical Mount

Examples: RS-MM1018-ATL-10-14 denotes Low Release in 10-14 Operate Band (AT) with Full Length leads. RS-MM1018-ATH-12-18-S denotes High Release in 12-18 Operate Band (AT) with SMD formed leads.

Other Special Configurations: Lower Static Contact Resistance, Dynamic Contact Resistance Limit, Higher Insulation Resistance, Special Release Limits, Gold plated leads.

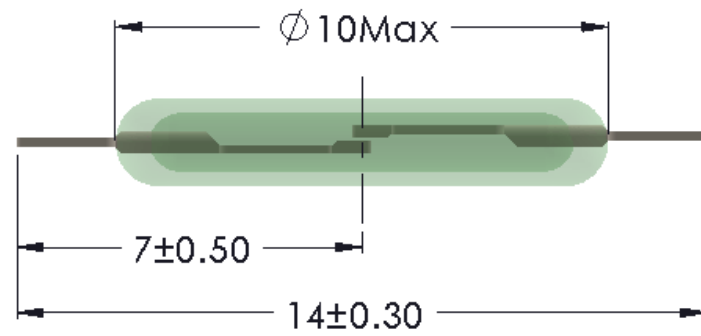
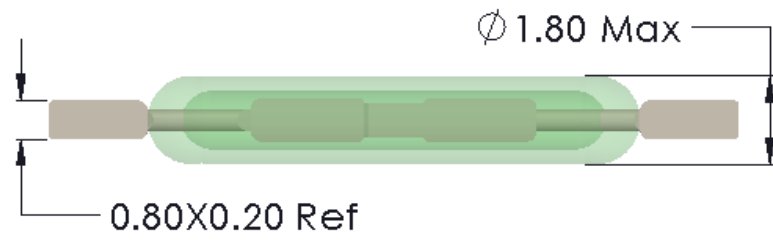
RS-MM1018-ATx Micro Miniature Reed Switch

Full Length Leads

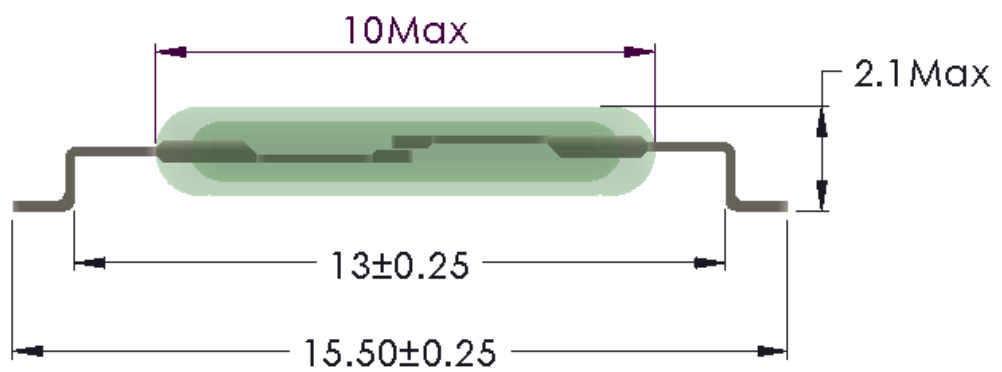
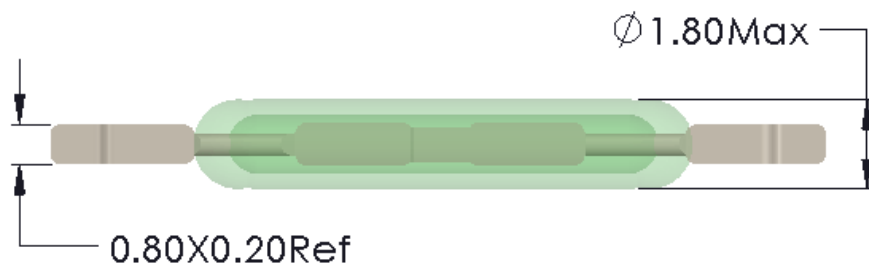


Cropped Leads

RS-MM1018-ATx Micro Miniature Reed Switch

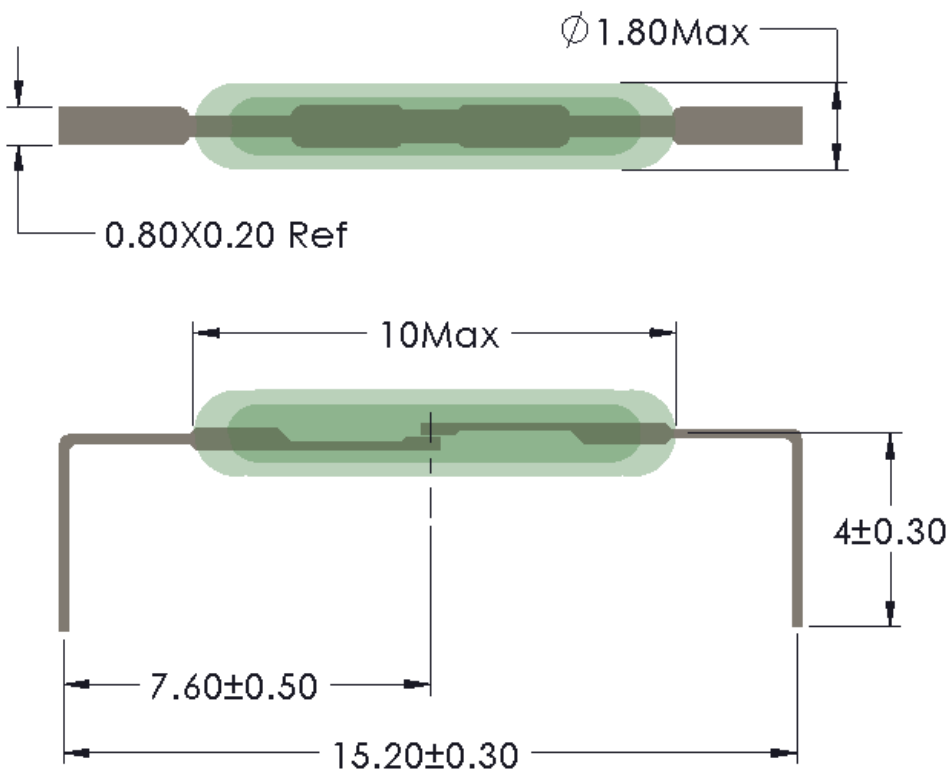


SMD Formed Leads



RS-MM1018-ATx Micro Miniature Reed Switch

Formed Leads for Horizontal Mounting



Formed Leads for Vertical Mounting

RS-MM1018-ATx Micro Miniature Reed Switch

