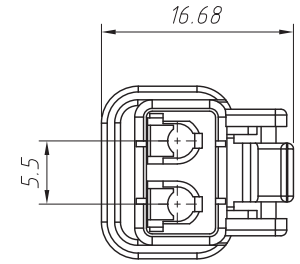
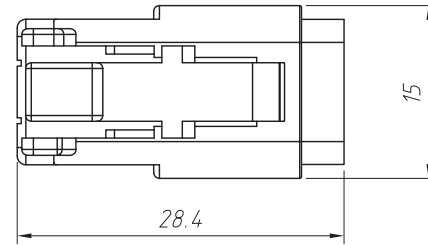
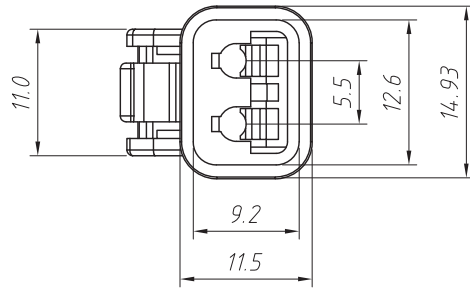
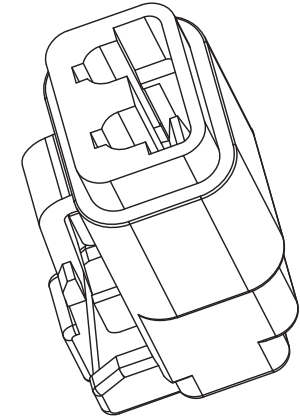
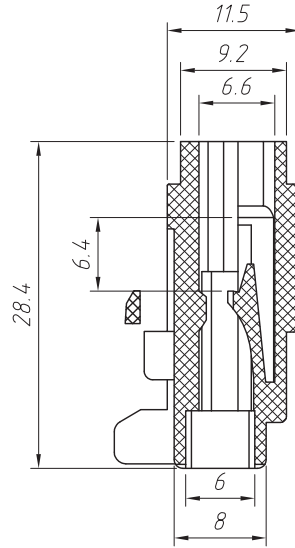
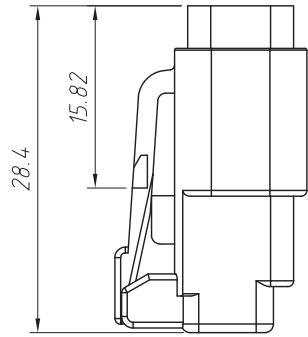


1
RoHS Compliance



Technical requirements:

1. Under no special circumstances, refer to the data of computer a board
2. Slight error is allowed, but within the tolerance range
3. Matching with terminal, insertion force $\leq 30N$; drawing force $\geq 70N$
4. The surface is free of thorns and defects

ANGLE TOLERANCE	PROJECTION	Description:	
$\pm 3^\circ$		Automotive Connectors	
GENERAL TOLERANCE	UNITS	mm	
x.x ± 0.30	SHEET SIZE	A4	
x.xx ± 0.20	Draw:	Daniel	2018-07-10
x.xxx ± 0.10	Check:	Daniel	2018-07-10

CONN THERM