

D

17251-5K

172x151x51mm(6.77"x5.94"x2")



HOUSING Aluminum Die Casting, Painted Black
IMPELLER Thermoplastic PBT, UL94V-0
BEARING Ball
OPERATING TEMPERATURE -10°C to + 60°C
DIELECTRIC STRENGTH 5mA Max. at 500 VAC for 1 minute
INSULATION RESISTANCE 10M Ω min. @500 VDC
WEIGHT 800 g
ROHS COMPLIANCE Yes
IP LEVEL IP21 (Special IP Rating On Request)

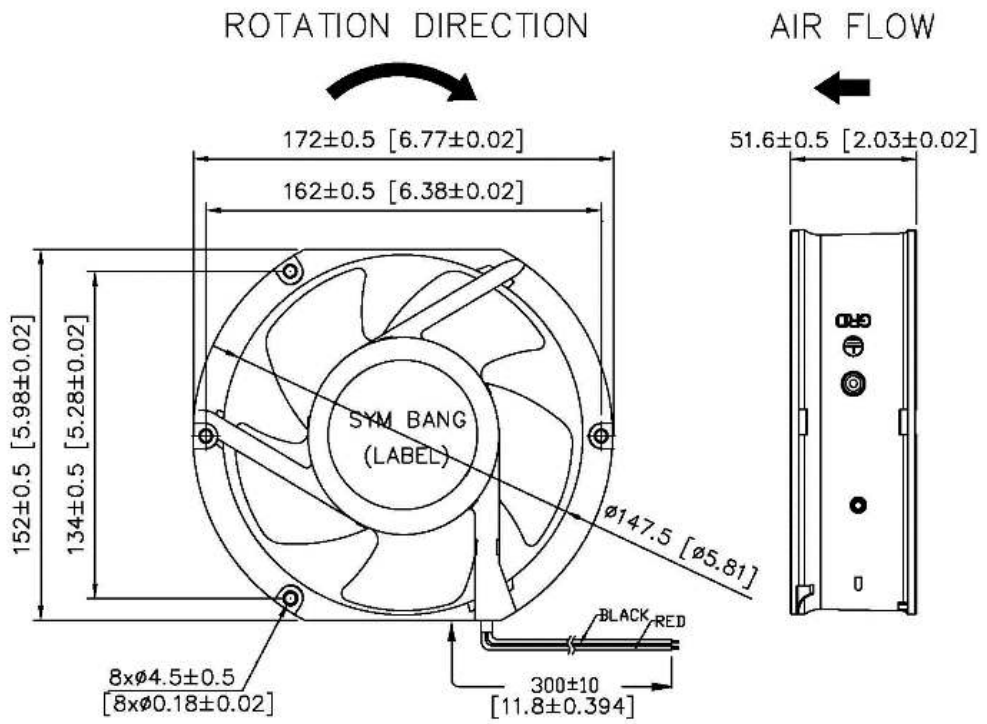
172 mm

SPECIFICATION

MODEL NO.	RATED VOLTAGE(V)	RATED CURRENT(A)	INPUT POWER(W)	SPEED (RPM)	MAX. AIR PRESSURE		MAX. AIR FLOW		NOISE dB(A) @1M
					inchH2O	mmH2O	CFM	m3/min	
D17251V24MB-5K	24	1.60	38.4	4400	0.96	24.5	323	9.14	64
D17251V24LB-5K	24	0.80	19.2	4000	0.83	21.13	291	8.24	62
D17251V24XLB-5K	24	0.70	16.8	3500	0.75	19.14	263	7.44	57
D17251V24XXLB-5K	24	0.50	12.0	2500	0.32	8.18	187	5.29	52
D17251V48SLB-5K	48	1.30	62.4	5200	1.23	31.35	378	10.7	68
D17251V48HB-5K	48	0.85	40.8	4800	1.13	28.6	350	9.90	66
D17251V48MB-5K	48	0.70	33.6	4400	0.96	24.50	323	9.14	64
D17251V48LB-5K	48	0.50	24.0	4000	0.83	21.13	291	8.24	62
D17251V48XLB-5K	48	0.40	19.2	3500	0.75	19.14	263	7.44	57
D17251V48XXLB-5K	48	0.30	14.4	2500	0.32	8.18	187	5.29	52

DIMENSION

SYMBANG



UNIT: mm[inch]

AIR PERFORMANCE

