

D

18065

180x180x65mm(7.09"x7.09"x2.56")



HOUSING	Aluminum Die Casting, Painted Black
IMPELLER	Thermoplastic PBT+ 30% Glass Fiber
BEARING	Ball
OPERATING TEMPERATURE	-10°C to + 60°C
DIELECTRIC STRENGTH	5mA Max. at 500 VAC for 1 minute
INSULATION RESISTANCE	10M Ω min. @500 VDC
WEIGHT	1.5 kg
ROHS COMPLIANCE	Yes
IP LEVEL	IP21 (Special IP Rating On Request)

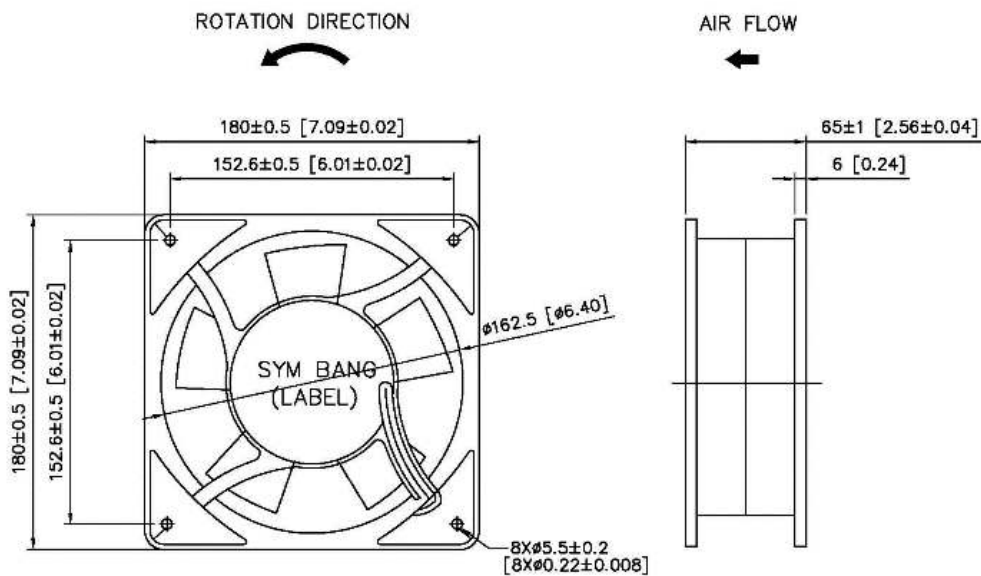
180

 mm

SPECIFICATION

MODEL NO.	RATED VOLTAGE(V)	RATED CURRENT(A)	INPUT POWER(W)	SPEED (RPM)	MAX. AIR PRESSURE		MAX. AIR FLOW		NOISE dB(A) @1M
					inchH2O	mmH2O	CFM	m3/min	
D18065V24SL	24	2.20	52.8	3500	0.91	23.0	450	12.7	65
D18065V24H	24	1.6.	38.4	3100	0.79	20.0	400	11.3	56
D18065V24M	24	0.88	21.1	2600	0.57	14.5	330	9.3	47
D18065V24L	24	0.66	15.8	2300	0.45	11.5	300	8.5	42
D18065V48SL	48	1.10	52.8	3500	0.91	23.0	450	12.7	65
D18065V48H	48	0.80	38.4	3100	0.79	20.0	400	11.3	56
D18065V48M	48	0.44	21.1	2600	0.57	14.5	330	9.3	47
D18065V48L	48	0.33	15.8	2300	0.45	11.5	300	8.5	42

DIMENSION



UNIT: mm[inch]

SYMBANG

AIR PERFORMANCE

D18065

