

D

22580M-PB

225x225x80mm(8.77"x8.77"x3.12")



HOUSING	Aluminum Die Casting
IMPELLER	Metal
BEARING	Ball
OPERATING TEMPERATURE	-25°C to + 60°C
DIELECTRIC STRENGTH	5mA Max. at 500 VAC for 1 minute
INSULATION RESISTANCE	10M Ω min. @500 VDC
WEIGHT	2.34 kg
ROHS COMPLIANCE	Yes
IP LEVEL	IP44 (Special IP Rating On Request)

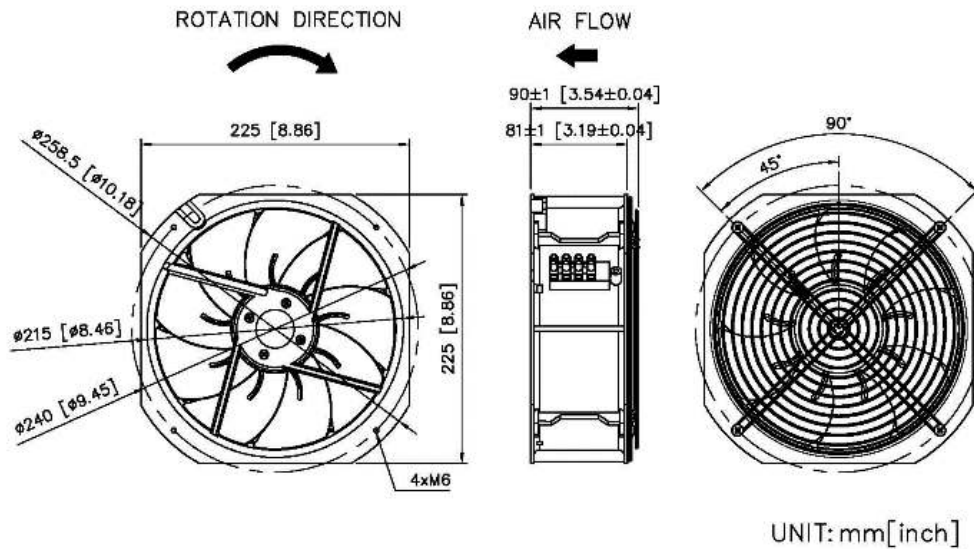
225

 mm

SPECIFICATION

MODEL NO.	RATED VOLTAGE(V)	RATED CURRENT(A)	INPUT POWER(W)	SPEED (RPM)	MAX. AIR PRESSURE		MAX. AIR FLOW		NOISE dB(A) @1M
					inchH2O	mmH2O	CFM	m3/min	
D22580V24HBM-PB	24	2.2	53	2750	0.93	23.5	559	15.81	68
D22580V48HBM-PB	48	1.1	53	2750	0.93	23.5	559	15.82	68

DIMENSION



AIR PERFORMANCE

