

# D

# 28080M-DA

280x280x80mm(11.02"x11.02"x3.15")



HOUSING	Aluminum Die Casting
IMPELLER	Metal
BEARING	Ball
OPERATING TEMPERATURE	-10°C to + 70°C
DIELECTRIC STRENGTH	5mA Max. at 500 VAC for 1 minute
INSULATION RESISTANCE	10M $\Omega$ min. @500 VDC
WEIGHT	3.05 kg
ROHS COMPLIANCE	Yes
IP LEVEL	IP54 (Special IP Rating On Request)

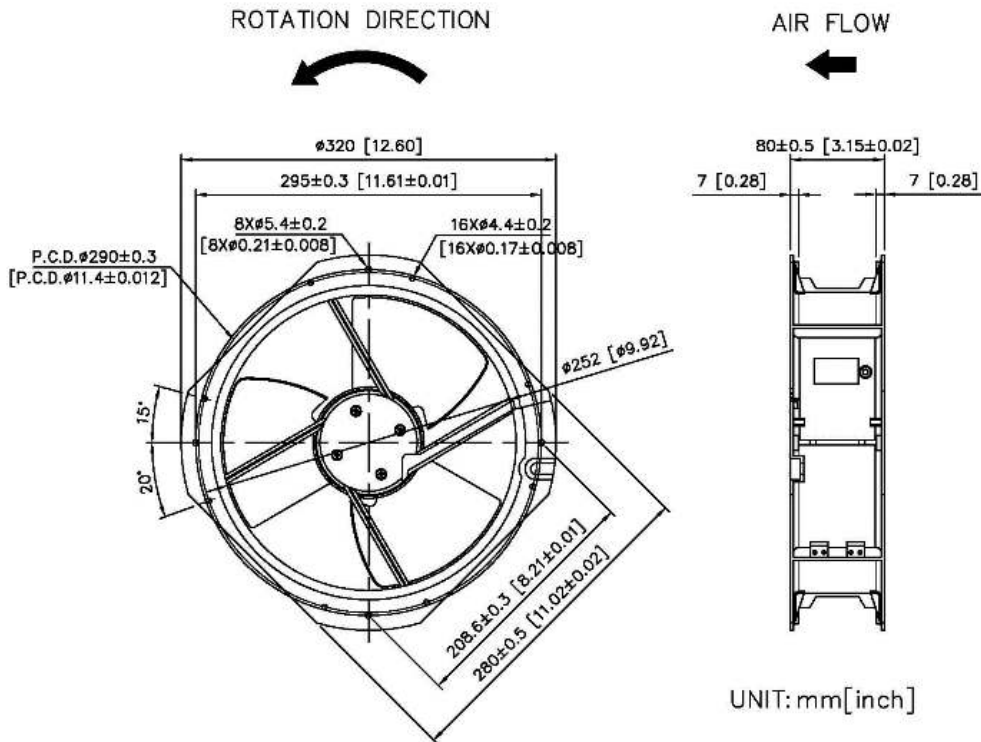
# 280

 mm

## SPECIFICATION

MODEL NO.	RATED VOLTAGE(V)	RATED CURRENT(A)	INPUT POWER(W)	SPEED (RPM)	MAX. AIR PRESSURE		MAX. AIR FLOW		NOISE dB(A) @1M
					inchH2O	mmH2O	CFM	m3/min	
D28080V24HBM-DA	24	3	72	2300	0.84	21.5	860	24.33	65
D28080V48HBM-DA	48	1.2	72	2300	0.84	21.5	860	24.33	65

## DIMENSION



# AIR PERFORMANCE

