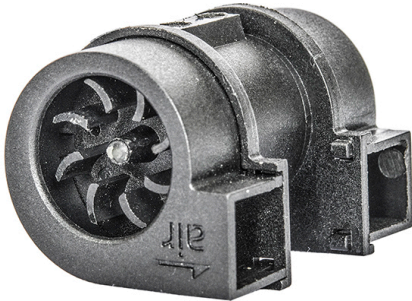


DB 2635



26x22x35mm(1.02"x1.02"x1.37")



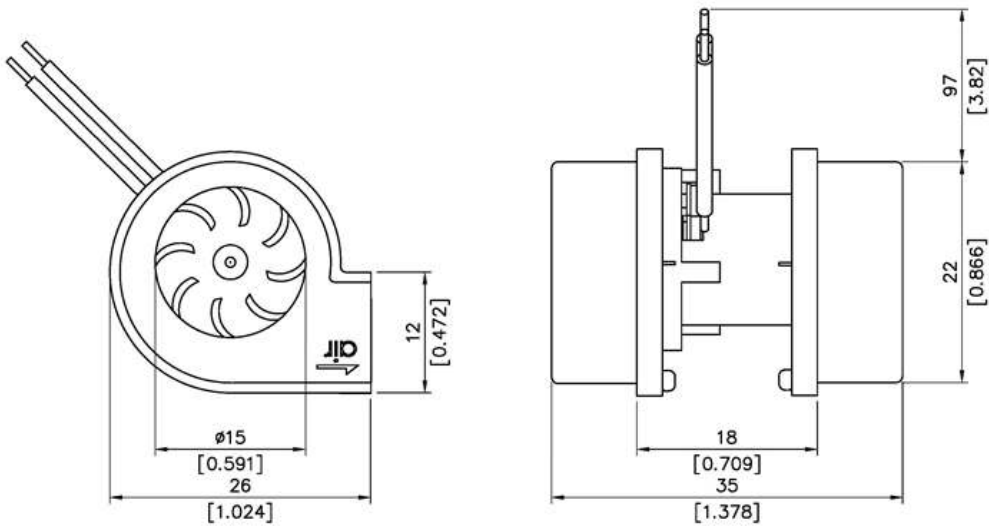
HOUSING	Thermoplastic PBT+30% Fiber Glass UL94V-0
IMPELLER	Thermoplastic PBT+30% Fiber Glass UL94V-0
BEARING	Sleeve
OPERATING TEMPERATURE	-10°C to + 60°C
DIELECTRIC STRENGTH	5mA Max. at 500 VAC for 1 minute
INSULATION RESISTANCE	10M Ω min. @500 VDC
WEIGHT	12 g
ROHS COMPLIANCE	Yes
APPLICATION	For high-speed memory module, CCTV, security surveillance system, LED lighting and small projector
IP LEVEL	IP21 (Special IP Rating On Request)

26 mm

SPECIFICATION

MODEL NO.	RATED VOLTAGE(V)	RATED CURRENT(A)	INPUT POWER(W)	SPEED (RPM)	MAX. AIR PRESSURE		MAX. AIR FLOW		NOISE dB(A) @1M
					inchH2O	mmH2O	CFM	m3/min	
DB2635V5HS	5	0.08	0.4	8500	0.122	3.1	1.2	0.034	40

DIMENSION



UNIT: mm[inch]

AIR PERFORMANCE

