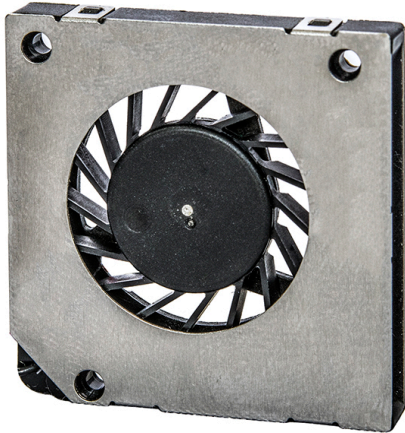


# DB 3004



30x30x4.5mm(1.18"x1.18"x0.18")



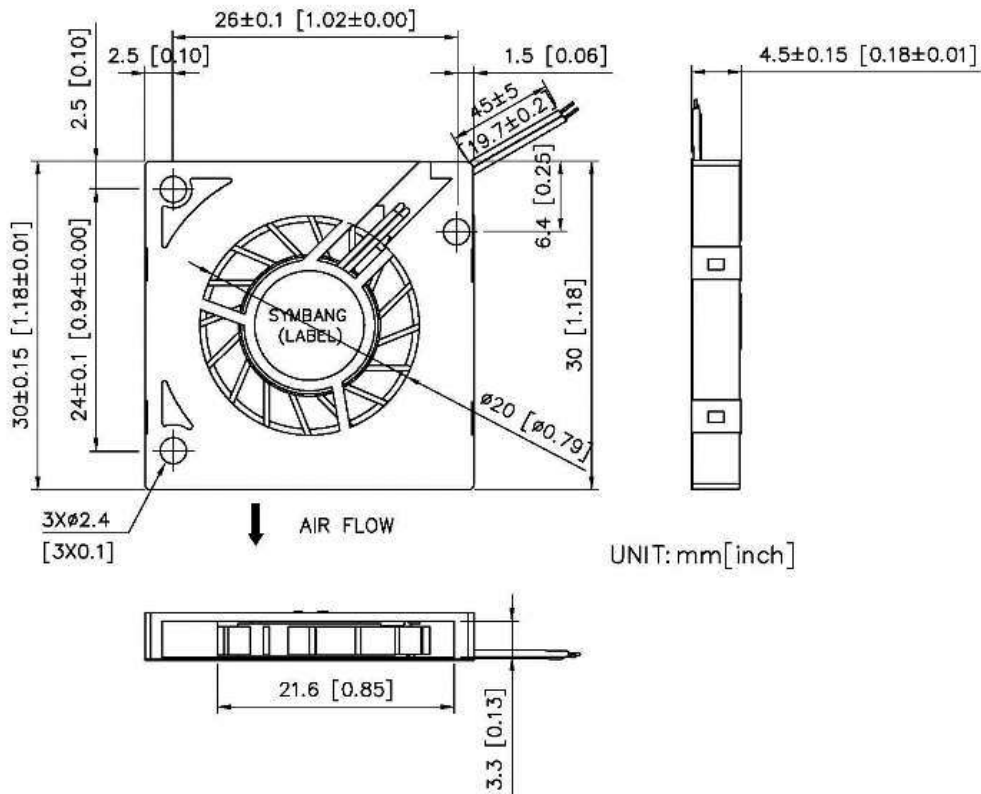
HOUSING	L.C.P +30% Fiber Glass UL94V-0
IMPELLER	P.P.A+30% Fiber Glass UL94V-0
COVER	SUS 301
BEARING	Sleeve
OPERATING TEMPERATURE	-10°C to + 60°C
DIELECTRIC STRENGTH	5mA Max. at 500 VAC for 1 minute
INSULATION RESISTANCE	10M Ω min. @500 VDC
WEIGHT	4.6 g
ROHS COMPLIANCE	Yes
APPLICATION	For MID, Ultra-thin Notebook
IP LEVEL	IP58 (Special IP Rating On Request)

30 mm

## SPECIFICATION

MODEL NO.	RATED VOLTAGE(V)	RATED CURRENT(A)	INPUT POWER(W)	SPEED (RPM)	MAX. AIR PRESSURE		MAX. AIR FLOW		NOISE dB(A) @1M
					inchH2O	mmH2O	CFM	m3/min	
DB3004V3HS	3.3	0.040	0.132	6000	0.146	3.71	0.57	0.016	17.2
DB3004V5HS	5	0.057	0.285	8500	0.295	7.48	0.79	0.022	25.7

## DIMENSION



SYMBANG

# AIR PERFORMANCE

