

DB

3510-TK

35x35x10mm(1.38"x1.38"x0.39") **CE**



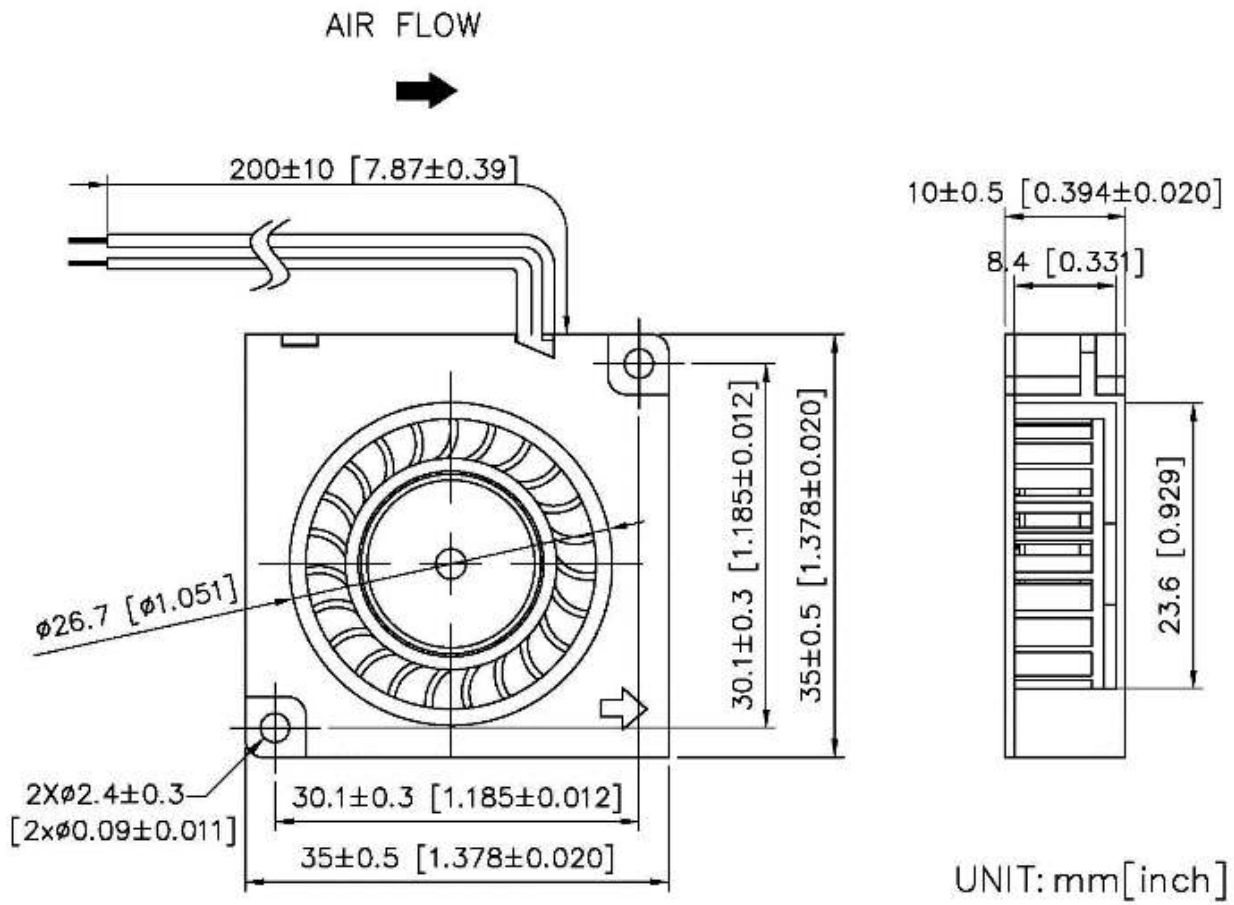
HOUSING	Thermoplastic PBT, UL94V-0
IMPELLER	Thermoplastic PBT, UL94V-0
BEARING	Ball or Sleeve
OPERATING TEMPERATURE	-10°C to + 70°C
DIELECTRIC STRENGTH	5mA Max. at 500 VAC for 1 minute
INSULATION RESISTANCE	10M Ω min. @500 VDC
WEIGHT	8.5 g
ROHS COMPLIANCE	Yes
IP LEVEL	IP21 (Special IP Rating On Request)

35 mm

SPECIFICATION

MODEL NO.	RATED VOLTAGE(V)	RATED CURRENT(A)	INPUT POWER(W)	SPEED (RPM)	MAX. AIR PRESSURE		MAX. AIR FLOW		NOISE dB(A) @1M
					inchH2O	mmH2O	CFM	m3/min	
DB3510V12XL-TK	12	0.05	0.60	6000	0.143	3.62	1.42	0.040	27.5
DB3510V12L-TK	12	0.05	0.65	6500	0.167	4.25	1.45	0.041	29.6
DB3510V12M-TK	12	0.06	0.70	7000	0.205	5.20	1.60	0.045	31.6
DB3510V12XXL-TK	12	0.04	0.50	5500	0.105	2.67	1.25	0.035	25.4
DB3510V12H-TK	12	0.07	0.80	7500	0.231	5.87	1.67	0.047	33.5
DB3510V12SL-TK	12	0.08	0.90	8000	0.272	6.92	1.86	0.053	34.9
DB3510V12SM-TK	12	0.08	1.00	8500	0.317	8.05	1.98	0.056	36.1
DB3510V12SH-TK	12	0.09	1.10	9000	0.358	9.10	2.14	0.061	37.4
DB3510V12SSH-TK	12	0.10	1.25	9500	0.401	10.18	2.27	0.064	39.1
DB3510V12SSSH-TK	12	0.12	1.40	10000	0.456	11.58	2.38	0.067	40.0
DB3510V5XXL-TK	5	0.10	0.50	5500	0.105	2.67	1.25	0.035	25.4
DB3510V5XL-TK	5	0.12	0.60	6000	0.143	3.62	1.42	0.040	27.5
DB3510V5L-TK	5	0.13	0.65	6500	0.167	4.25	1.45	0.041	29.6
DB3510V5M-TK	5	0.14	0.70	7000	0.205	5.20	1.60	0.045	31.6
DB3510V5H-TK	5	0.16	0.80	7500	0.231	5.87	1.67	0.047	33.5
DB3510V5SL-TK	5	0.18	0.90	8000	0.272	6.92	1.86	0.053	34.9
DB3510V5SM-TK	5	0.20	1.00	8500	0.317	8.05	1.98	0.056	36.1
DB3510V5SH-TK	5	0.22	1.10	9000	0.358	9.10	2.14	0.061	37.4
DB3510V5SSH-TK	5	0.25	1.25	9500	0.401	10.18	2.27	0.064	39.1
DB3510V5SSSH-TK	5	0.28	1.40	10000	0.456	11.58	2.38	0.067	40.0

DIMENSION



AIR PERFORMANCE

