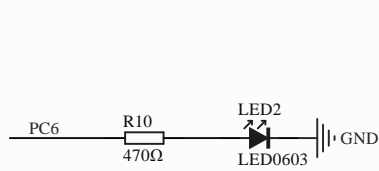
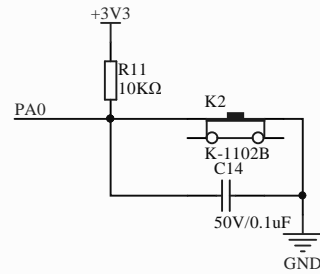


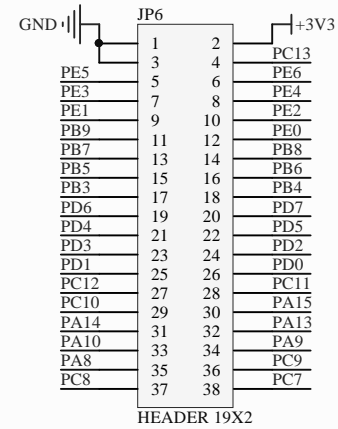
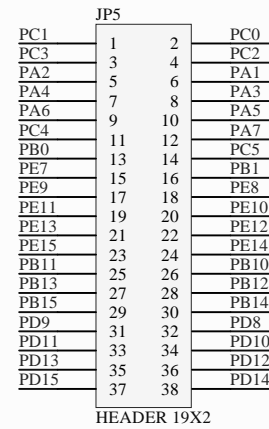
LED



KEY

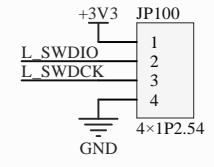


Extension Pin

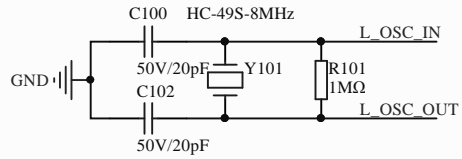


| | | |
|--------------------------|---------------|---------------|
| Company Name: GigaDevice | | |
| File Name: Extension | | |
| Revision: 1.0 | Data: 2016-10 | Author: XuFei |

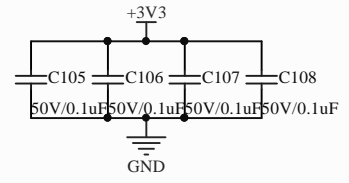
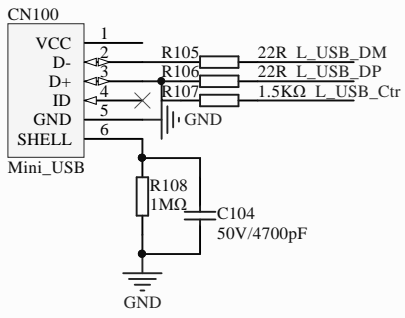
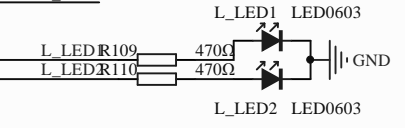
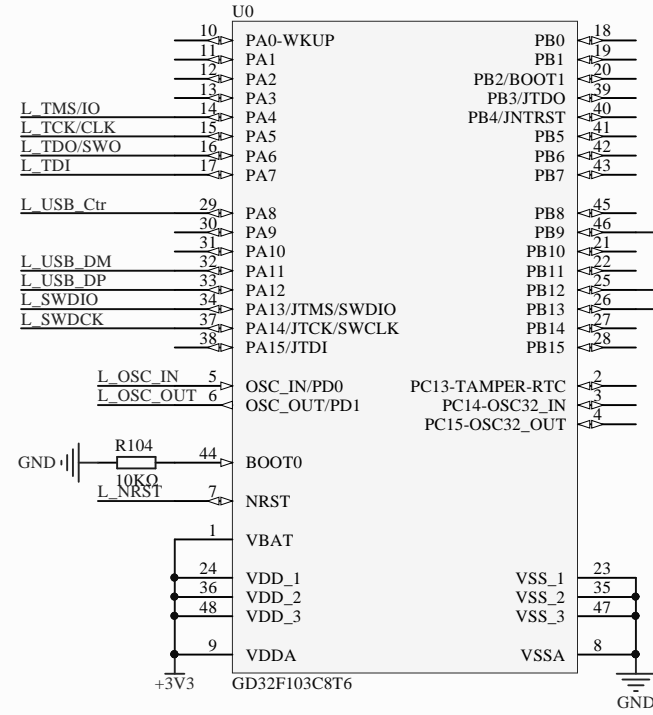
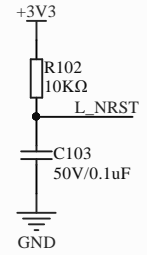
MCU SWD



HSE



Reset

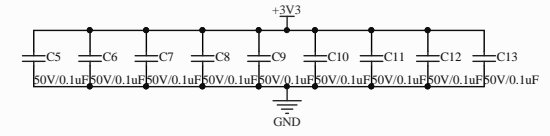
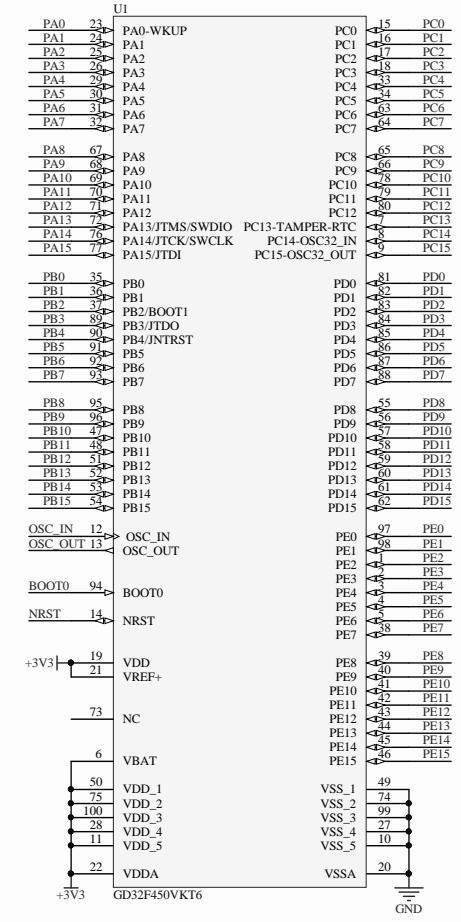
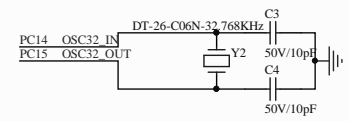
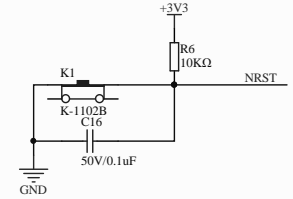
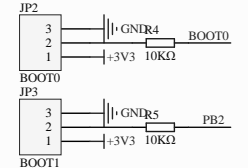
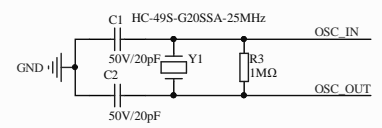


Company Name: GigaDevice

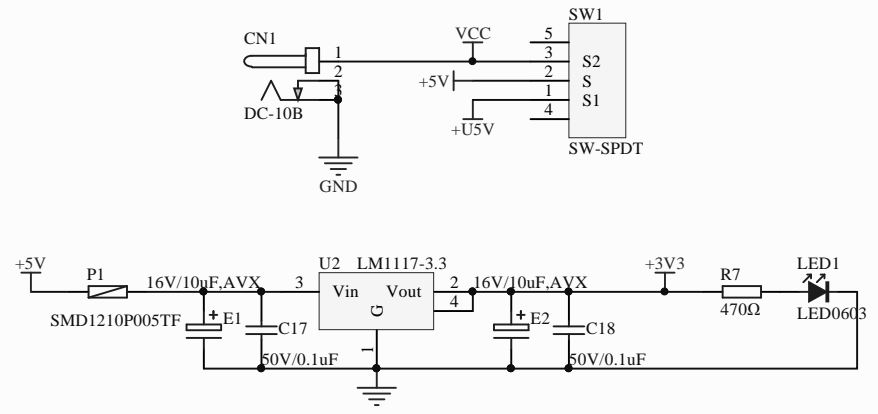
File Name: GDLink

| | | |
|---------------|------------------|---------------|
| Revision: 1.0 | Data: 2015-01-09 | Author: XuFei |
|---------------|------------------|---------------|

| | | | |
|-----------|-------------|--|------|
| GDLINK | JTAG | | PB4 |
| L_TDI | JTDO | | PA15 |
| L_TMS/IO | JTMS/SWDIO | | PA13 |
| L_TCK/CLK | JTCK/SWDCLK | | PA14 |
| L_TDO/SWO | JTDO | | PB3 |
| L_TReset | NRST | | |

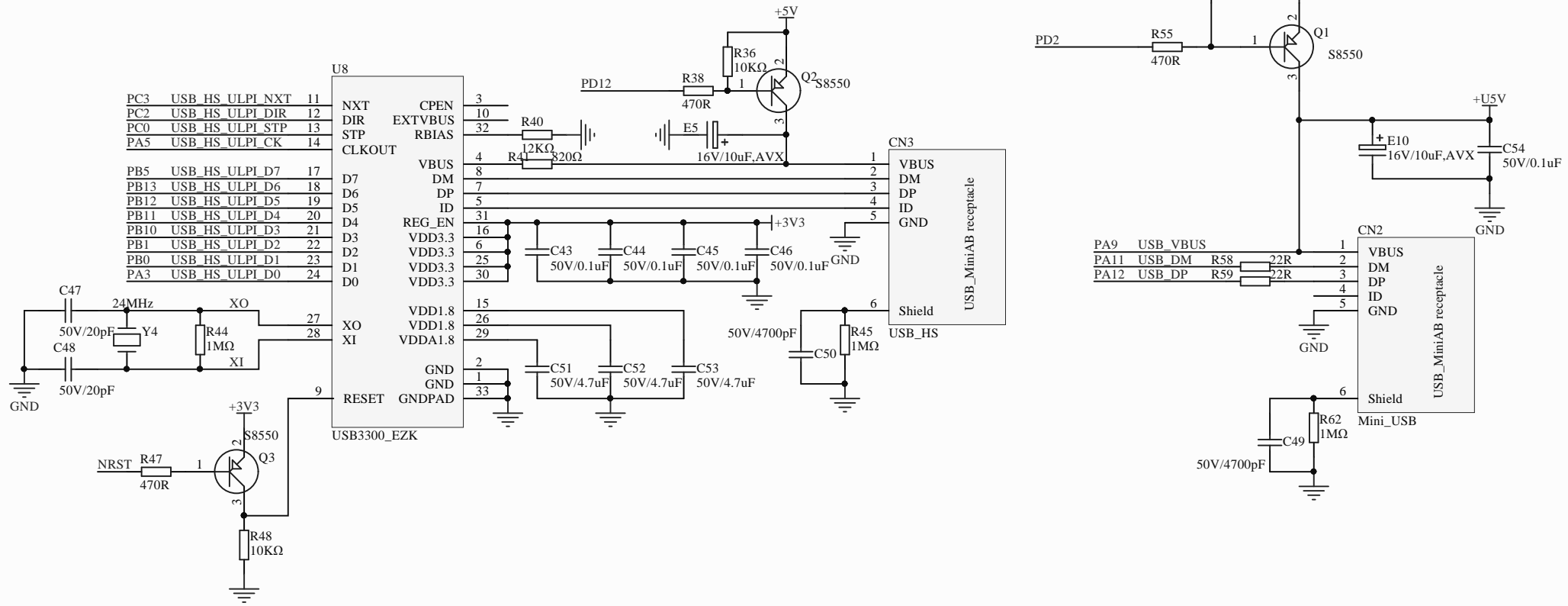


| | | |
|--------------------------|---------------|---------------|
| Company Name: GigaDevice | | |
| File Name: MCU | | |
| Revision: 1.0 | Data: 2016-10 | Author: XuFei |

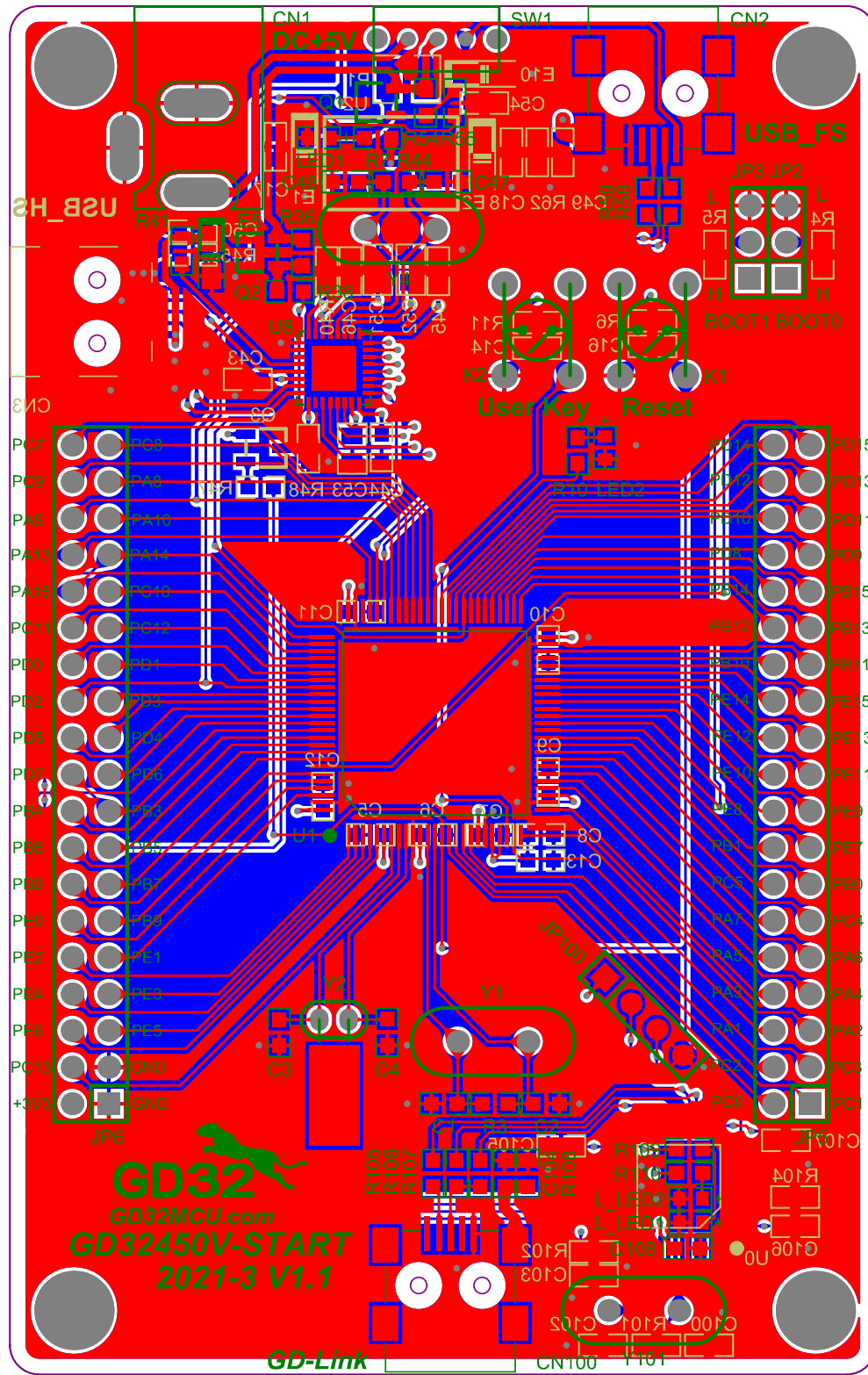


| | | |
|--------------------------|---------------|---------------|
| Company Name: GigaDevice | | |
| File Name: Power | | |
| Revision: 1.0 | Data: 2016-10 | Author: XuFei |

| | | |
|------|-----------------|----|
| PC3 | USB_HS_ULPI_NXT | 11 |
| PC2 | USB_HS_ULPI_DIR | 12 |
| PC0 | USB_HS_ULPI_STP | 13 |
| PA5 | USB_HS_ULPI_CK | 14 |
| | | |
| PB5 | USB_HS_ULPI_D7 | 17 |
| PB13 | USB_HS_ULPI_D6 | 18 |
| PB12 | USB_HS_ULPI_D5 | 19 |
| PB11 | USB_HS_ULPI_D4 | 20 |
| PB10 | USB_HS_ULPI_D3 | 21 |
| PB1 | USB_HS_ULPI_D2 | 22 |
| PB0 | USB_HS_ULPI_D1 | 23 |
| PA3 | USB_HS_ULPI_D0 | 24 |



| | | |
|--------------------------|---------------|---------------|
| Company Name: GigaDevice | | |
| File Name: USB | | |
| Revision: 1.0 | Data: 2016-10 | Author: Xufei |



GD32
GD32MCU.com
GD32450V-START
2021-3 V1.1

GD-Link