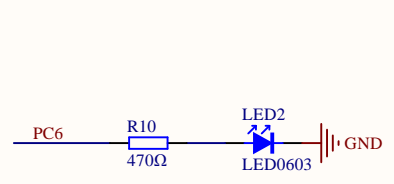
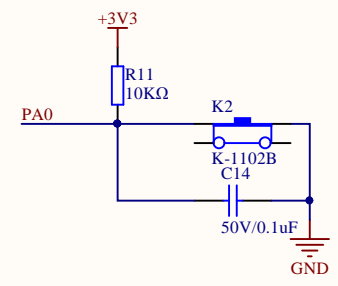


LED



KEY



Extension Pin

PC1	1	2	PC0
PC3	3	4	PC2
PA2	5	6	PA1
PA4	7	8	PA3
PA6	9	10	PA5
PC4	11	12	PA7
PB0	13	14	PC5
PE7	15	16	PB1
PE9	17	18	PE8
PE11	19	20	PE10
PE13	21	22	PE12
PE15	23	24	PE14
PB11	25	26	PB10
PB13	27	28	PB12
PB15	29	30	PB14
PD9	31	32	PD8
PD11	33	34	PD10
PD13	35	36	PD12
PD15	37	38	PD14

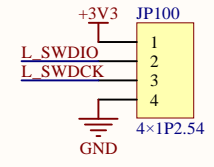
HEADER 19X2

1	2	PC13
3	4	PE6
5	6	PE4
7	8	PE2
9	10	PE0
11	12	PB8
13	14	PB6
15	16	PB4
17	18	PD7
19	20	PD5
21	22	PD2
23	24	PD0
25	26	PC11
27	28	PA15
29	30	PA13
31	32	PA9
33	34	PC9
35	36	PC7
37	38	

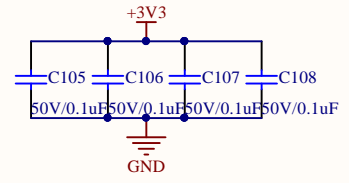
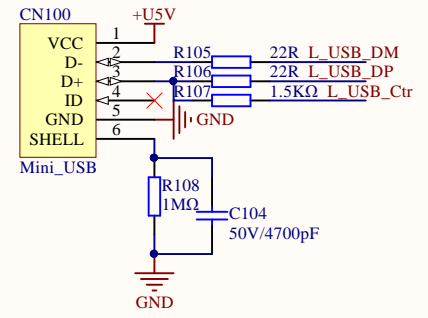
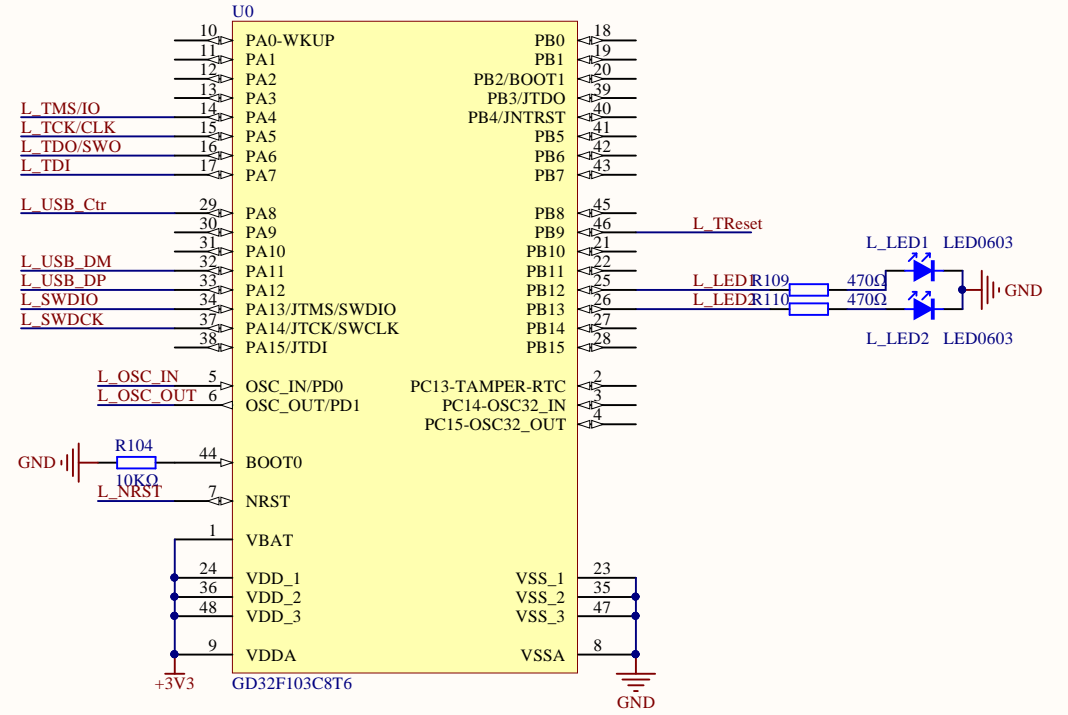
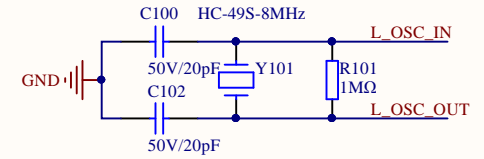
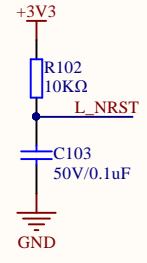
HEADER 19X2

Company Name: GigaDevice		
File Name: Extension		
Revision: 1.1	Data: 2020-11	Author: XuFei

MCU SWD



Reset



Company Name: GigaDevice

File Name: GDLink

Revision: 1.1

Data: 2020-11

Author: XuFei

1

2

3

4

A

A

B

B

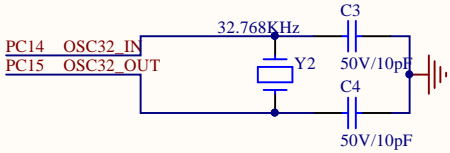
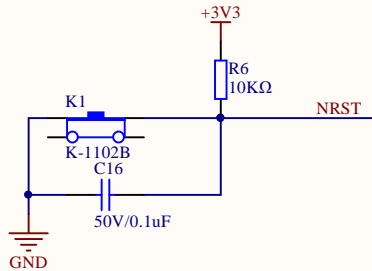
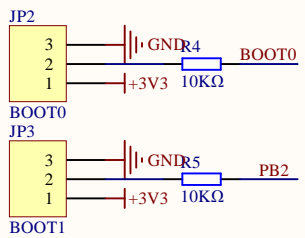
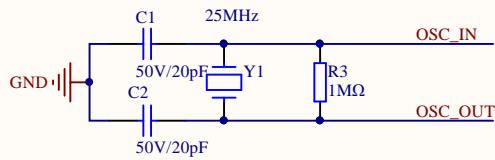
C

C

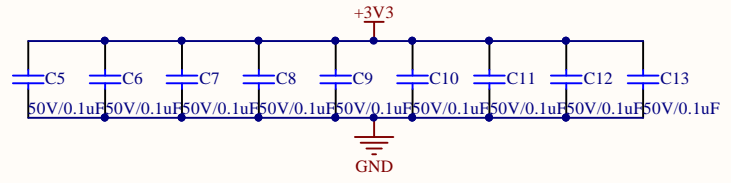
D

D

GDLink	JTAG	PB4
L_TDI	JTDI	PA15
L_TMS/IO	JTMS/SWDIO	PA13
L_TCK/CLK	JTCK/SWDCLK	PA14
L_TDO/SWO	JTDO	PB3
L_TReset	NRST	



U1				
PA0	23	PA0-WKUP	PC0	15
PA1	24	PA1	PC1	16
PA2	25	PA2	PC2	17
PA3	26	PA3	PC3	18
PA4	29	PA4	PC4	33
PA5	30	PA5	PC5	34
PA6	31	PA6	PC6	63
PA7	32	PA7	PC7	64
PA8	67	PA8	PC8	65
PA9	68	PA9	PC9	66
PA10	69	PA10	PC10	78
PA11	70	PA11	PC11	79
PA12	71	PA12	PC12	80
PA13	72	PA13/JTMS/SWDIO	PC13-TAMPER-RTC	8
PA14	76	PA14/JTCK/SWCLK	PC14-OSC32_IN	8
PA15	77	PA15/JTDI	PC15-OSC32_OUT	9
PB0	35	PB0	PD0	81
PB1	36	PB1	PD1	82
PB2	37	PB2/BOOT1	PD2	83
PB3	89	PB3/JTDO	PD3	84
PB4	90	PB4/JNTRST	PD4	85
PB5	91	PB5	PD5	86
PB6	92	PB6	PD6	87
PB7	93	PB7	PD7	88
PB8	95	PB8	PD8	55
PB9	96	PB9	PD9	56
PB10	47	PB10	PD10	57
PB11	48	PB11	PD11	58
PB12	51	PB12	PD12	59
PB13	52	PB13	PD13	60
PB14	53	PB14	PD14	61
PB15	54	PB15	PD15	62
OSC_IN	12	PH0/OSC_IN	PE0	97
OSC_OUT	13	PH1/OSC_OUT	PE1	98
BOOT0	94	BOOT0	PE2	4
NRST	14	NRST	PE3	5
+3V3	19	VDD	PE4	4
+3V3	21	VREF+	PE5	5
	73	NC	PE6	38
	6	VBAT	PE7	39
	50	VDD_1	PE8	40
	75	VDD_2	PE9	41
	100	VDD_3	PE10	42
	28	VDD_4	PE11	43
	11	VDD_5	PE12	44
	22	VDDA	PE13	45
+3V3		VSSA	PE14	46
			PE15	46
			VSS_1	49
			VSS_2	74
			VSS_3	99
			VSS_4	27
			VSS_5	10
				20
				GND



Company Name: GigaDevice

File Name: MCU

Revision: 1.0

Data: 2016-11

Author: XuFei

1

2

3

4

1

2

3

4

A

A

B

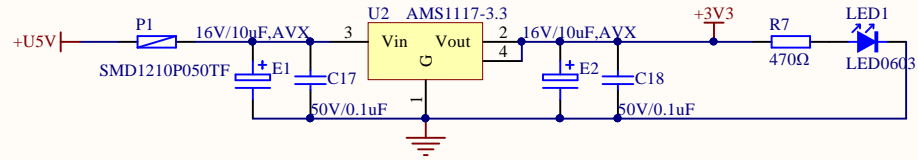
B

C

C

D

D



Company Name: GigaDevice

File Name: Power

Revision: 1.1

Data: 2020-11

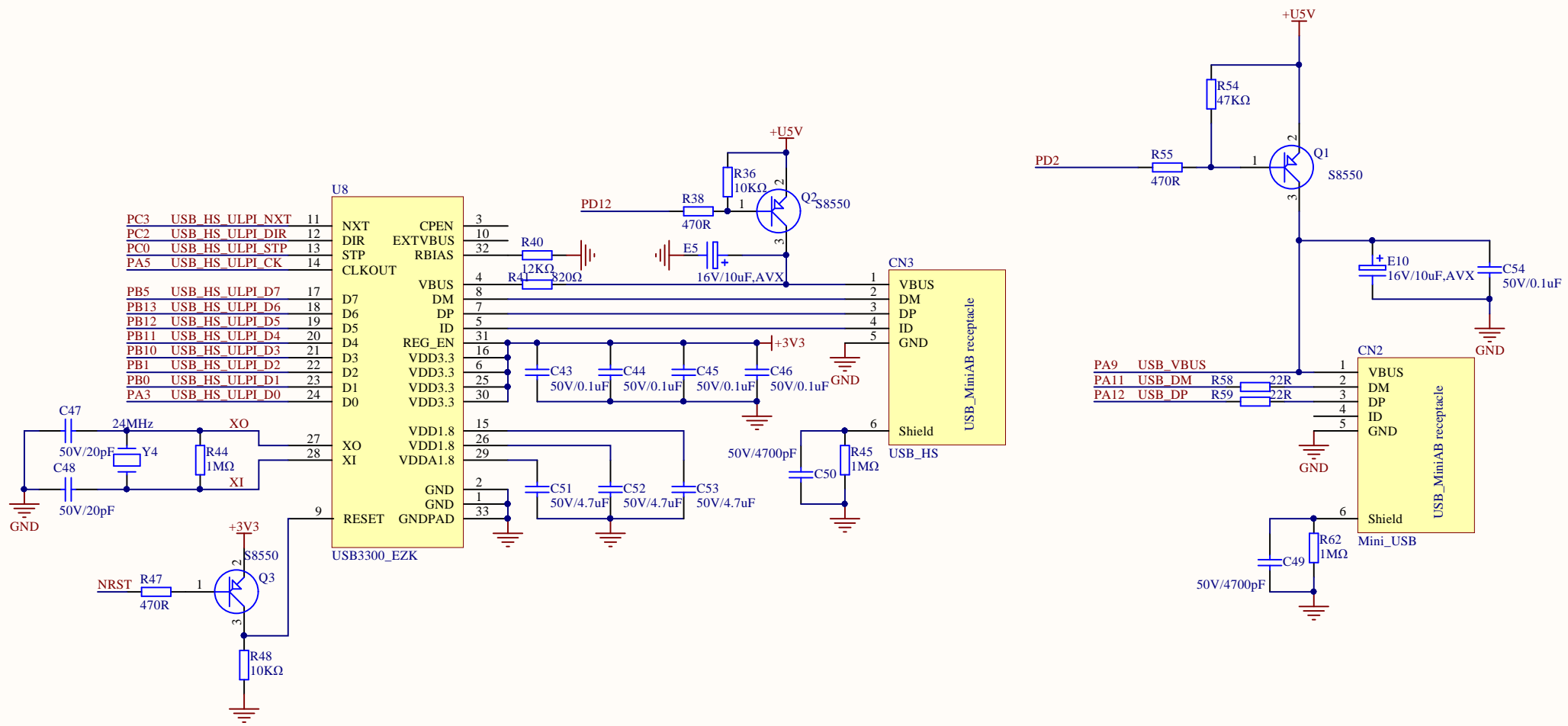
Author: XuFei

1

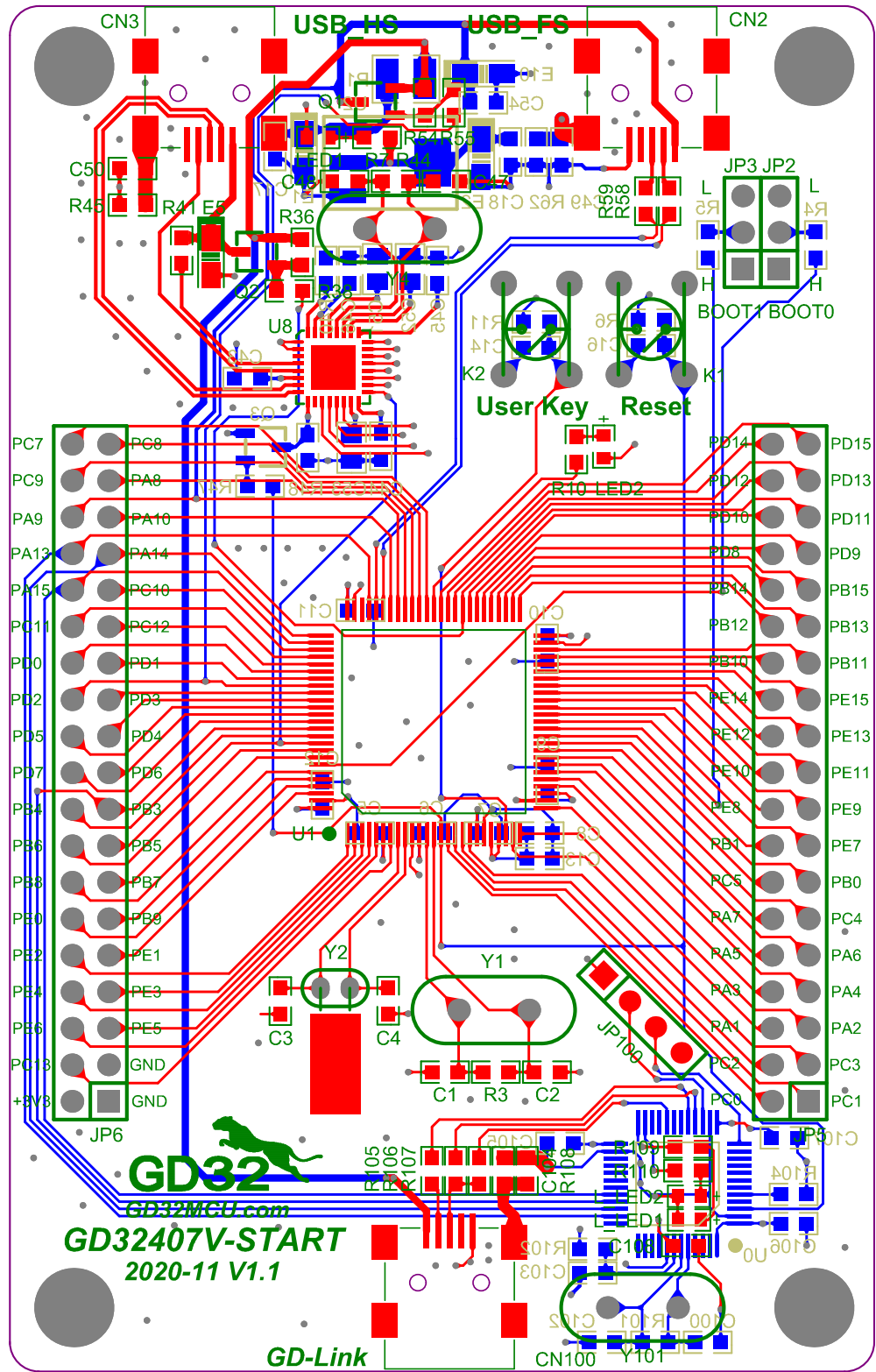
2

3

4



Company Name: GigaDevice		
File Name: USB		
Revision: 1.1	Data: 2020-11	Author: Xufei



GD32
GD32MCU.com
GD32407V-START
2020-11 V1.1

GD-Link