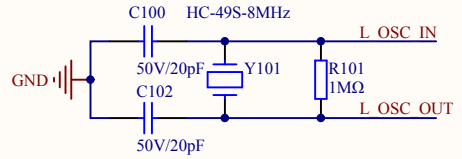
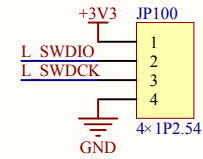
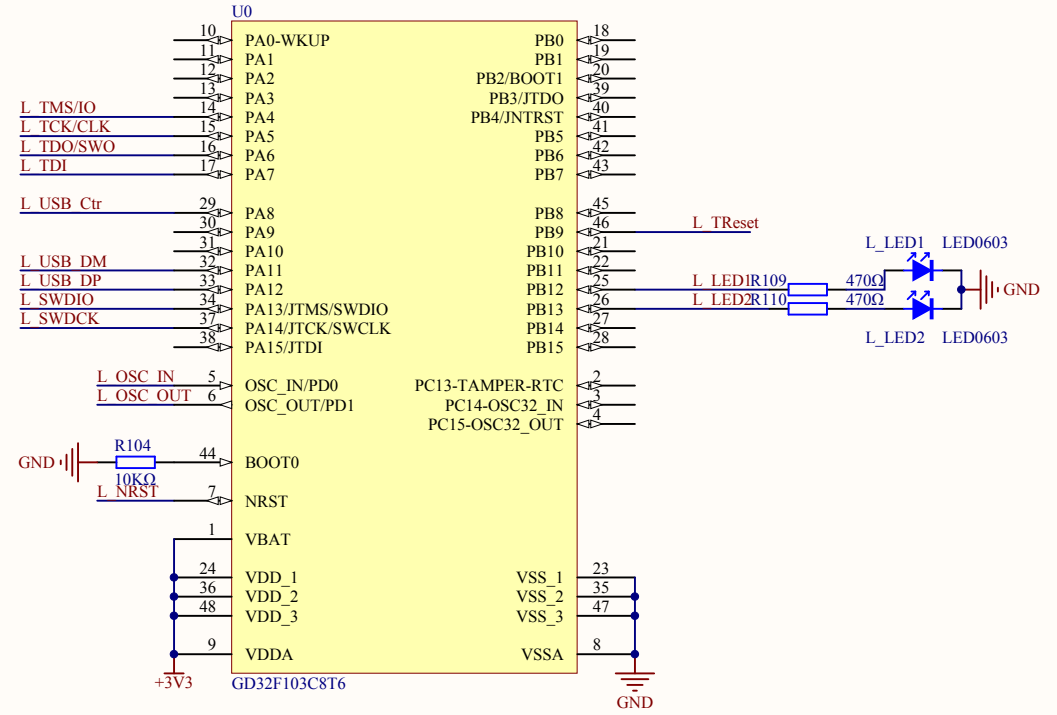
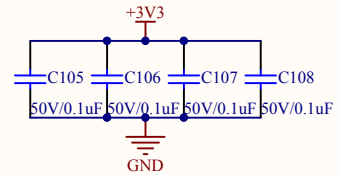
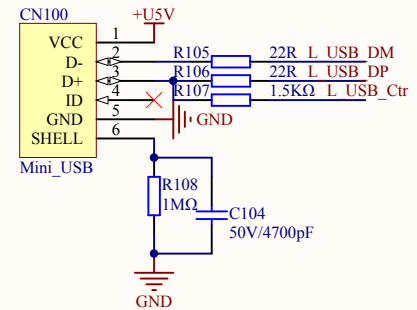
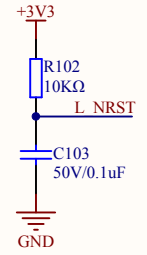


MCU SWD



Reset



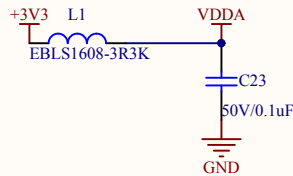
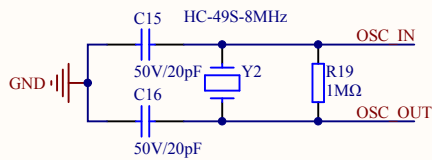
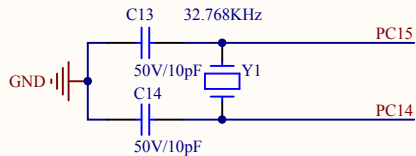
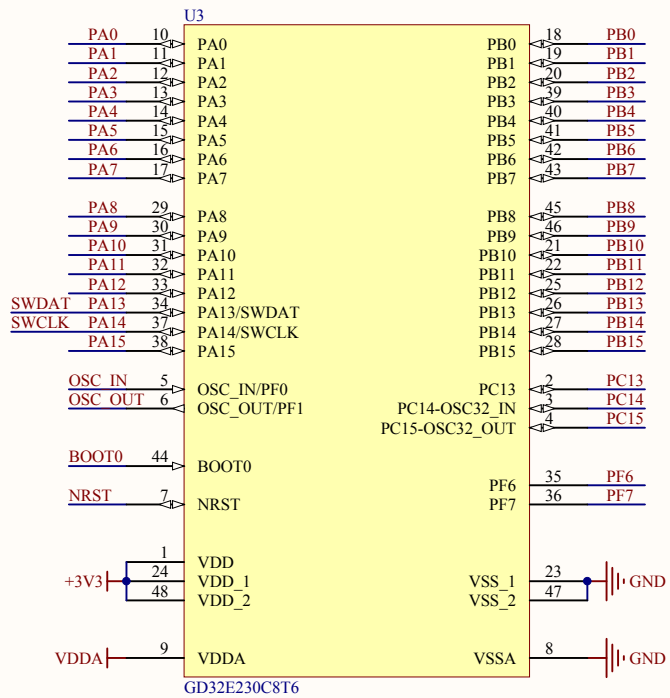
Company Name: GigaDevice

File Name: GDLink

Revision: 1.0

Data: 2018-9

Author: XuFei

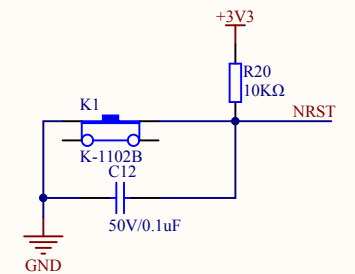
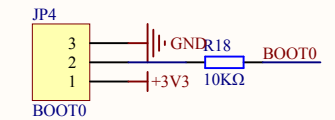
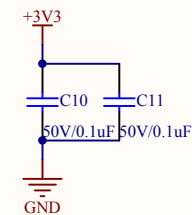


SWD GDLINK

SWDAT L TMS/IO

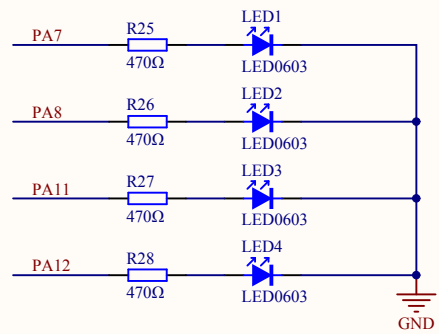
SWCLK L TCK/CLK

NRST L TReset

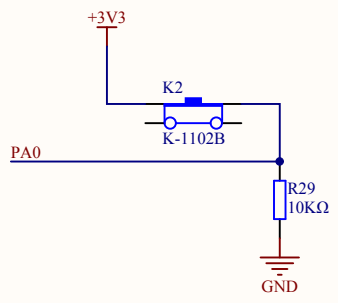


Company Name: GigaDevice		
File Name: MCU		
Revision: 1.0	Data: 2018-9	Author: Xufei

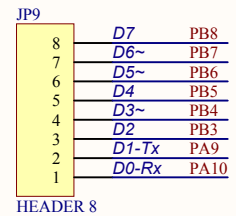
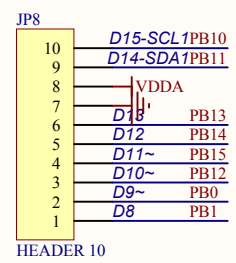
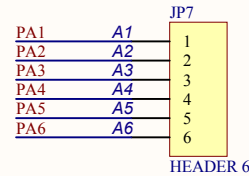
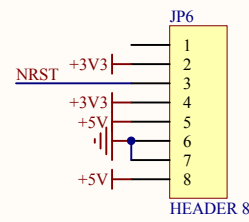
LED



KEY



Arduino



Company Name: GigaDevice

File Name: Peripherals

Revision: 1.0

Data: 2018-9

Author: Xufei

1

2

3

4

A

A

B

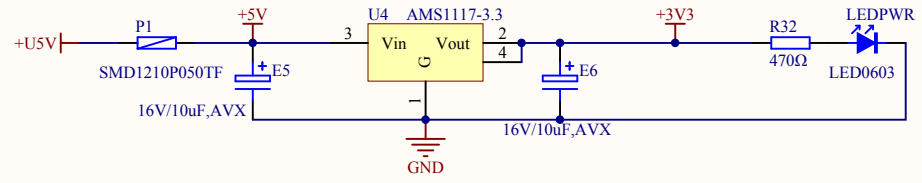
B

C

C

D

D



Company Name: GigaDevice

File Name: Power

Revision: 1.0

Data: 2018-9

Author: Xufei

1

2

3

4

GD32
 GD32MCU.com
GD32E230C-START
 2018-10 V1.0

