

A

8038-D

80x80x38mm(3.15"x3.15"x1.5")



IMPELLER	Plastic
BEARING	Sleeve/Ball
INSULATION	Class A
TERMINATION	Lead Wire / Terminal
OPERATING TEMPERATURE	-20°C to + 70°C
INSULATION RESISTANCE	10M Ω min. @500 VDC
DIELECTRIC STRENGTH	1,800 VAC for 1 second
MOTOR TYPE	AC Induction Capacitor Motor
SAFETY	Thermally Protected
WEIGHT	370 g
ROHS COMPLIANCE	Yes
IP LEVEL	IP54 (Special IP Rating On Request)

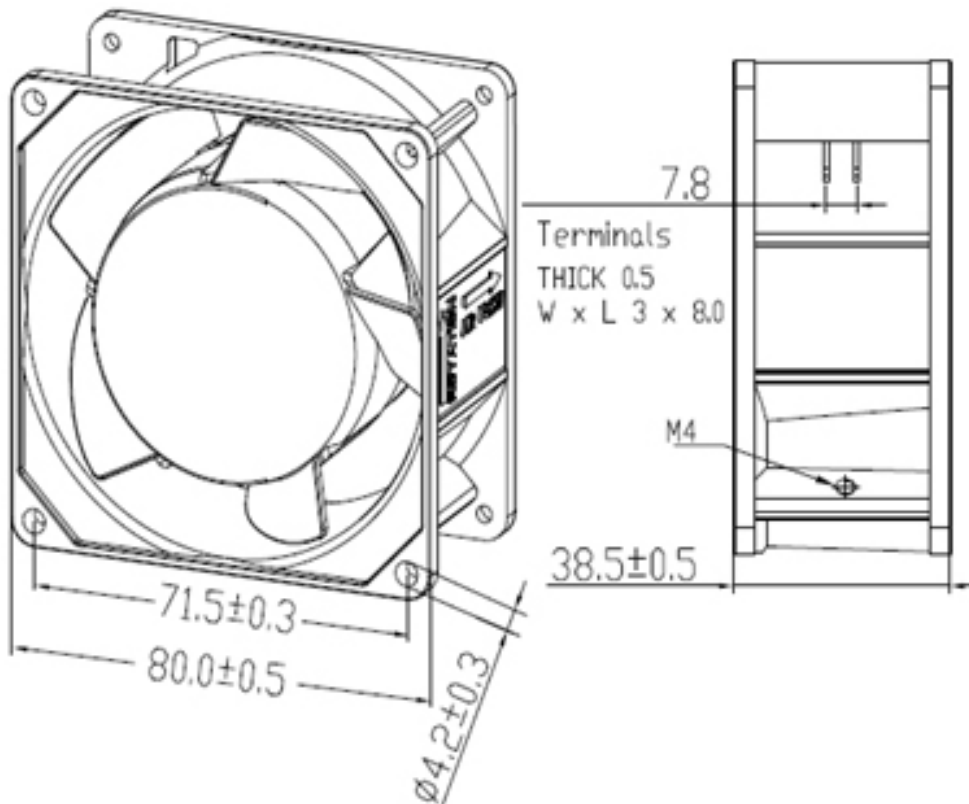
80

 mm

SPECIFICATION

MODEL NO.	RATED VOLTAGE(V)	RATED CURRENT(A)	INPUT POWER(W)	SPEED (RPM)	MAX. AIR PRESSURE		MAX. AIR FLOW		NOISE dB(A) @1M
					inchH2O	mmH2O	CFM	m3/min	
A8038V2H-D	230	0.12/0.09	17.2/12.0	2400/2900	0.12/0.19	3.1/4.8	20/25	0.57/0.71	34/37
A8038V2M-D	230	0.05/0.04	7.0/5.7	2250/2400	0.11/0.15	2.8/3.7	18/20	0.51/0.57	32/34
A8038V2L-D	230	0.04/0.03	6.0/5.0	2100/2150	0.09/0.11	2.4/2.8	15/16	0.42/0.45	29/30
A8038V1L-D	115	0.07/0.05	5.0/4.0	2250/2350	0.10/0.12	2.6/3.0	18/19	0.51/0.52	32/33
A8038V1M-D	115	0.09/0.07	6.1/4.8	2300/2550	0.11/0.15	2.8/3.7	19/22	0.54/0.63	33/35
A8038V1H-D	115	0.20/0.15	14.0/9.8	2350/2850	0.12/0.18	3.0/4.6	20/25	0.57/0.71	34/37

DIMENSION



SYMBANG

AIR PERFORMANCE

