

# A

# 15055

150x172x55mm(5.9"x6.77"x2.17")



HOUSING	Aluminum Die Casting, Painted Black
IMPELLER	Thermoplastic PBT, UL94V-0
BEARING	Ball
OPERATING TEMPERATURE	-10°C to + 70°C
INSULATION	Class A
OPERATING VOLTAGE RANGE	85 VAC to 125 VAC for 115V Type 185 VAC to 245 VAC for 230V Type
DIELECTRIC STRENGTH	5mA Max. at 1500 VAC for 1 second
INSULATION RESISTANCE	10M Ω min. @500 VDC
MOTOR TYPE	AC Induction Capacitor Motor
SAFETY	Thermally Protected
TERMINATION	Lead wire
WEIGHT	1 Kg
ROHS COMPLIANCE	Yes
IP LEVEL	IP21 (Special IP Rating On Request)

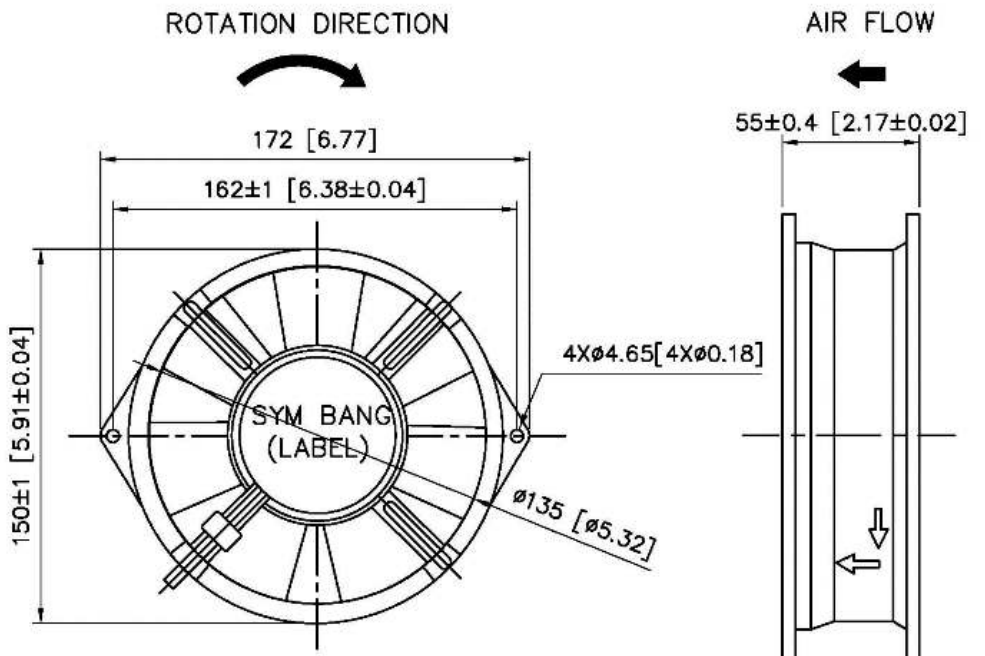
# 150

 mm

## SPECIFICATION

MODEL NO.	RATED VOLTAGE(V)	RATED CURRENT(A)	INPUT POWER(W)	SPEED (RPM)	MAX. AIR PRESSURE		MAX. AIR FLOW		NOISE dB(A) @1M
					inchH2O	mmH2O	CFM	m3/min	
A15055V1H	115	0.34/0.38	38/44	2900/3300	0.58/0.74	14.7/18.8	204/235	5.80/6.70	57/61
A15055V2H	230	0.17/0.19	37/43	2900/3300	0.58/0.74	14.7/18.8	202/239	5.70/6.80	57/61

## DIMENSION



UNIT: mm[inch]

SYMBANG

## AIR PERFORMANCE

