

# A

# 15055-F-FG

172x150x55mm(6.77"x5.91"x2.17")



HOUSING	Aluminum Die Casting, Painted Black
IMPELLER	Thermoplastic PBT, UL94V-0
BEARING	Ball
OPERATING TEMPERATURE	-10°C to + 70°C
INSULATION	Class F
OPERATING VOLTAGE RANGE	185 VAC to 245 VAC for 230V Type
DIELECTRIC STRENGTH	5mA Max. at 1500 VAC for 1 second
INSULATION RESISTANCE	10M $\Omega$ min. @500 VDC
MOTOR TYPE	Outer Rotor, Shaded Pole Motor
SAFETY	Thermally Protected
TERMINATION	Lead Wire
WEIGHT	1.08 kg
ROHS COMPLIANCE	Yes
IP LEVEL	IP21 (Special IP Rating On Request)

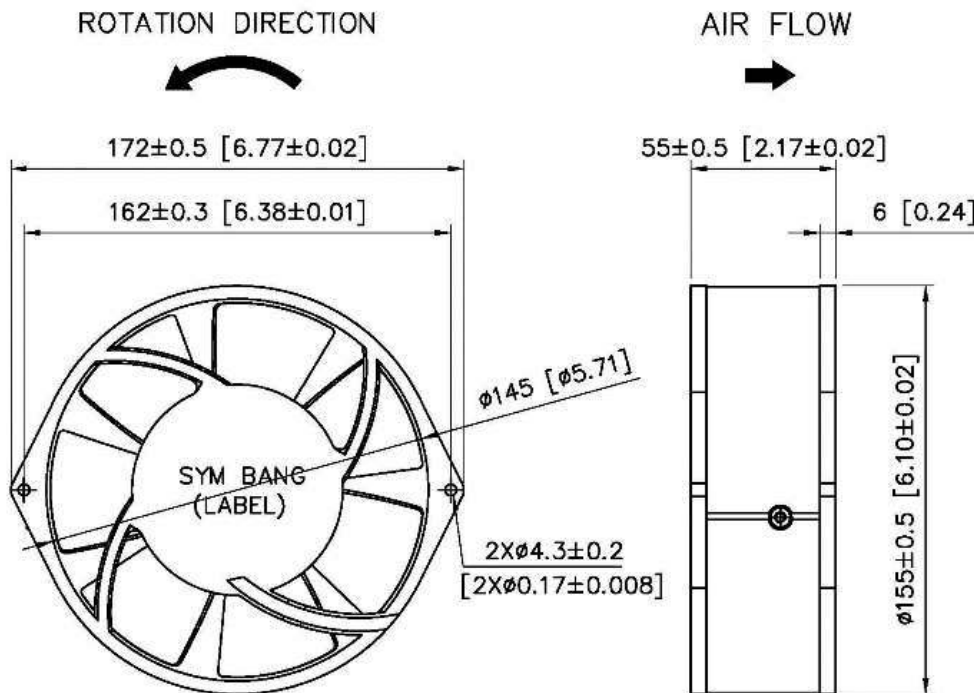
# 172

 mm

## SPECIFICATION

MODEL NO.	RATED VOLTAGE(V)	RATED CURRENT(A)	INPUT POWER(W)	SPEED (RPM)	MAX. AIR PRESSURE		MAX. AIR FLOW		NOISE dB(A) @1M
					inchH2O	mmH2O	CFM	m3/min	
A15055V2HBL-F-FG	230	0.11/0.13	26/31	2850/3400	0.55/0.73	14.0/18.5	205/241	5.8/6.8	61/66

## DIMENSION



UNIT: mm[inch]

# AIR PERFORMANCE

