

# A

# 15055M

150x172x55mm(5.9"x6.77"x2.17")



HOUSING	Aluminum Die Casting, Painted Black
IMPELLER	Metal
BEARING	Ball
OPERATING TEMPERATURE	-10°C to + 70°C
INSULATION	Class A
OPERATING VOLTAGE RANGE	85 VAC to 125 VAC for 115V Type 185 VAC to 245 VAC for 230V Type
DIELECTRIC STRENGTH	5mA Max. at 1500 VAC for 1 second
INSULATION RESISTANCE	10M Ω min. @500 VDC
MOTOR TYPE	Outer Rotor, Shaded Pole Motor
SAFETY	Impedance Protected
TERMINATION	Lead Wire
WEIGHT	1 kg
ROHS COMPLIANCE	Yes
IP LEVEL	IP21 (Special IP Rating On Request)

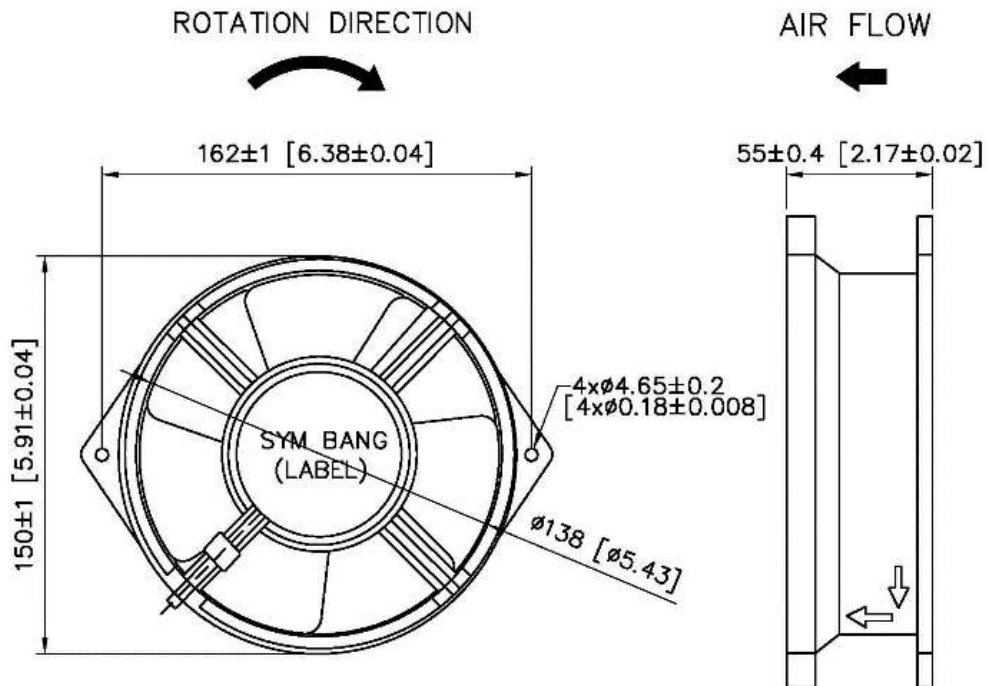
# 150

 mm

## SPECIFICATION

MODEL NO.	RATED VOLTAGE(V)	RATED CURRENT(A)	INPUT POWER(W)	SPEED (RPM)	MAX. AIR PRESSURE		MAX. AIR FLOW		NOISE dB(A) @1M
					inchH2O	mmH2O	CFM	m3/min	
A15055V1HBLM	115	0.64/0.54	48/46	2750/3100	0.48/0.46	12.30/11.88	195/200	5.53/5.67	50/53
A15055V2HBLM	230	0.30/0.28	46/44	2750/3100	0.48/0.46	12.30/11.88	195/200	5.53/5.67	50/53

## DIMENSION



UNIT: mm[inch]

# AIR PERFORMANCE

