

ACTIVA INC.

**SPECIFICATION
SHEET**



MODEL NO. :	A17251V2HBT-D
DESCRIPTION :	AC COOLING FAN
VERSION :	A
RELEASED DATE :	2020.06.15

APPROVED BY	PREPARED BY
<i>Clouder Hsia</i>	<i>Ken Lee</i>
2020.06.15	2020.06.15

SYMBANG



ACTIVA INC.

9F-1,472, Chung San 2nd Road, Kaohsiung 800, Taiwan, R.O.C.
Tel: 886-7-2824356 Fax: 886-7-2414287 E-Mail: info@symbang.com.tw
Web Site: <http://www.activa.com.tw> <http://www.symbang.com.tw>

ACTIVA INC.

PRODUCT SPECIFICATION

A. General Specification

Item		Specification		Condition
1	Model No.	A17251V2HBL-D		
2	Outline Dimension	Ø 172 x 150 x 51 mm		
3	Rated Voltage	AC	230 V	
4	Operating Voltage Range	AC	200 - 240 V	
5	Start Voltage	AC	160 V	
6	Frequency	50/60	Hz	
7	Rated Current	0.30/0.26	A ±10%	At Rated Voltage, 25°C, 65% RH, Free Air
8	Power Consumption	43/40	W ±10%	
9	Rotating Speed	2700/3000	RPM ±10%	At Rated Voltage, 25°C, 65% RH, Free Air
10	Max. Airflow	190/200	CFM	At Rated Voltage AMCA 210 Standard
		5.38/5.66	m ³ /min	
11	Max. Static Pressure	13/10	mmH ₂ O	At Rated Current
		0.51/0.39	inchH ₂ O	
12	Noise Level	56/58	dB(A)	At Rated Voltage Measured in a non-echo Chamber CNS 8753 Standard ISO 3744 Test Condition
13	Life	50,000hrs	at 25°C	
14	No. of Blade	5	Blades	
15	No. of Pole	2	Poles	
16	Rotating Direction	Counterclockwise View From Label Side		
17	Weight	880	g	
18	Motor Type	AC Induction Shaded-Pole Motor		
19	Safety Protection	Impedance Protected		

ACTIVA INC.

B. Main Materials / Parts Specification

Materials / Parts		Specification
1	Housing	Aluminum Die Casting, Painted Black
2	Blade	Thermoplastic PBT , UL94V-0
3	Bearing	Ball Bearing
4	Termination	Lead Wires UL1015 AWG#20 Length:320±10mm
5	Connector	N/A

C. Safety Approvals

Safety Approvals	UL	TUV	
File Number	N/A	N/A	

D. Environmental Specification

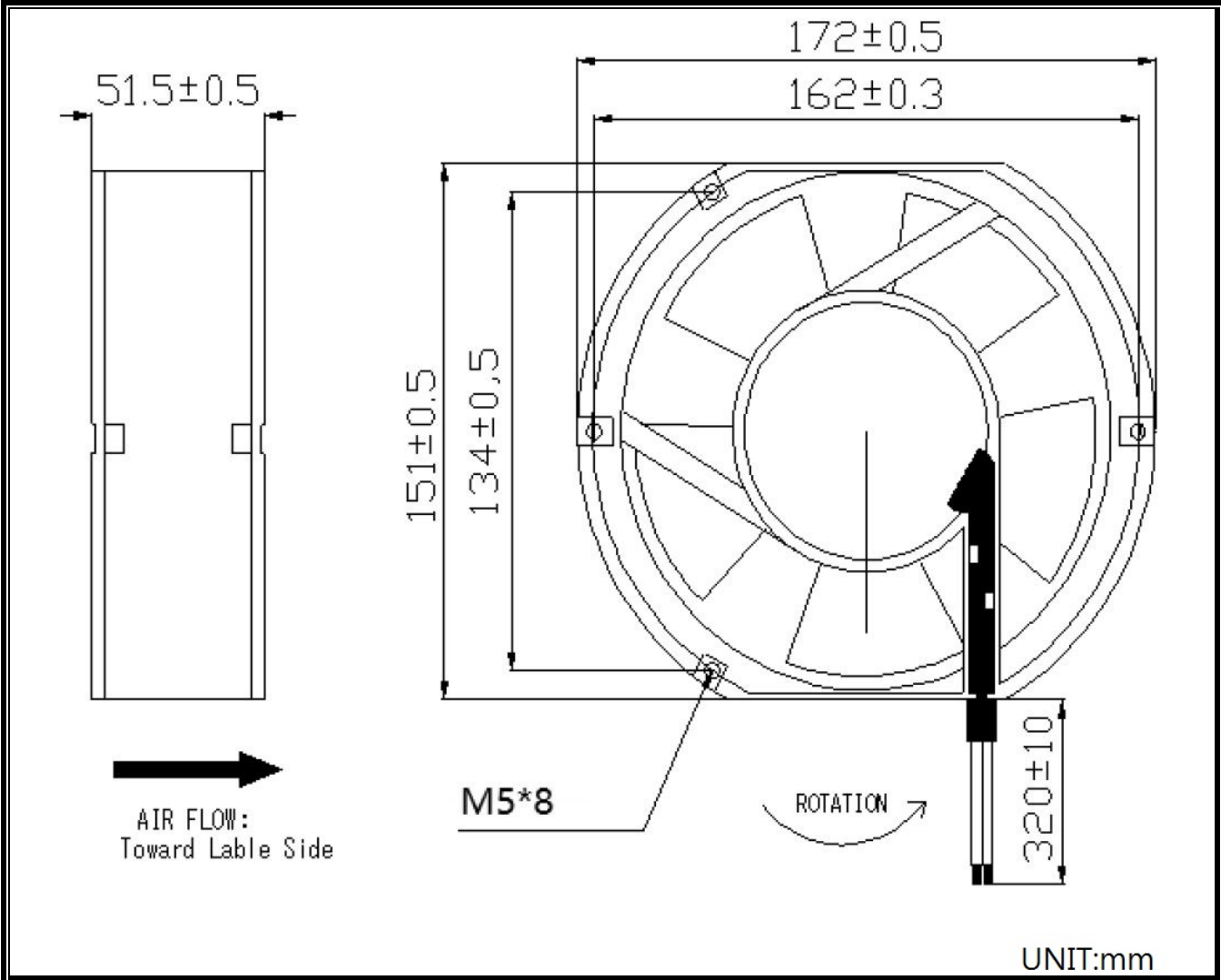
Item		Specification / Condition
1	Operating Temp. Range	Temperature : -20°C ~ + 70°C (Normal Humidity)
2	Storage Temperature	All function shall be normal after 500 hours storage at -20°C to +70°C with a 24 hours recovery period at room temperature. (Normal Humidity)
3	Humidity Test	After 96 hours, 95% RH, 40+/-2°C per MIL-STD-202F, method 103B humidity test, the measured data on insulation resistance and dielectric strength shall meet the specification.
4	Thermal Shock	Per MIL-STD 202F Method 107D, Condition D
5	Insulation Shock	Class A

E. Electrical Specification

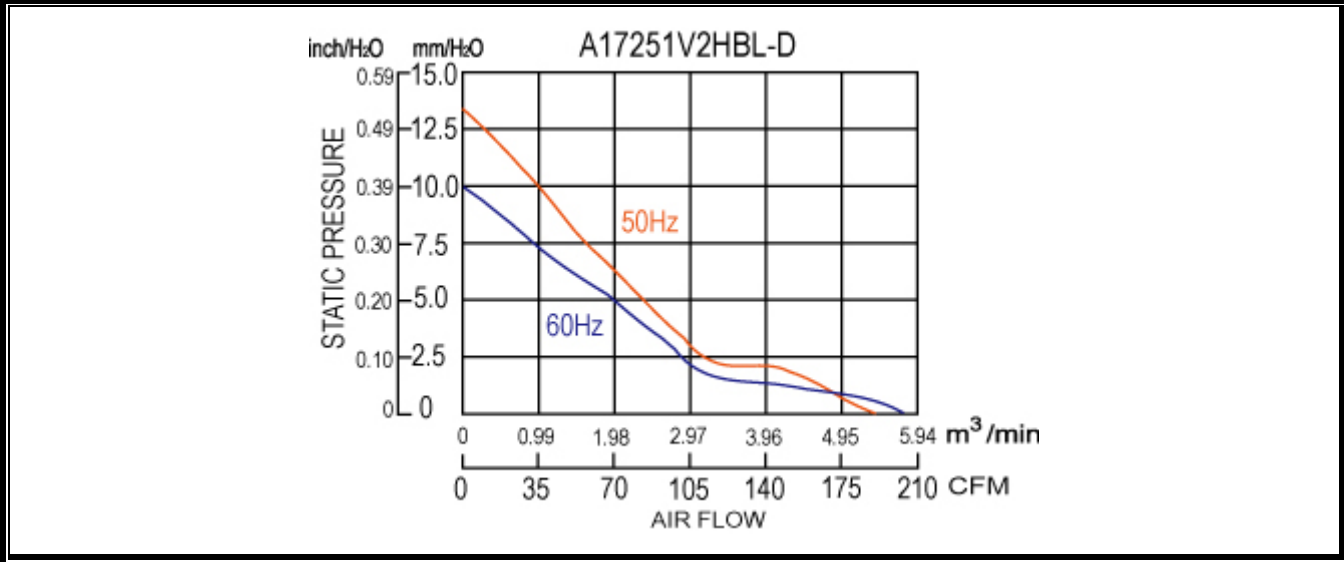
Item		Specification/Condition
1	Insulation Resistance	Minimum 10MΩ Between frame and AC lead wire / terminal at 500VDC for 60 seconds
2	Dielectric Strength	Maximum leakage 5mA between frame and AC lead wire / terminal at 1.5KVAC for 1 seconds.

ACTIVA INC.

F. Outline Dimension



G. Airflow Performance



ACTIVA INC.

H. Notes:

- 1.1 Please do not touch and push fan blade with fingers or others, fan blade and bearings may be damaged and it causes noise defect.
- 1.2 Do not carry the fan by its lead wires.
- 1.3 If the AC fan or DC fan which with signal functions does not have the polarity protection function, the connection of the colored wires should be red + red, and black + black, or else.
- 1.4 For the models without reverse connection of polarity protection, please do not connect the lead wire in reverse.
- 1.5 Please don't install this fan in series with 2x voltage inputs. For example, if a single fan rated at 115VAC (12VDC), then don't install two of them in series with 230VAC (24VDC) input.
- 1.6 Activa Inc has reserves the right to substitute the specification without prior notice.