

A

17251A-C

172X151X51mm(6.8"X5.9"X2")



| | |
|-------------------------|--|
| HOUSING | Aluminum Die Casting, Painted Black |
| IMPELLER | Thermoplastic PBT, UL94V-0 |
| BEARING | Ball |
| OPERATING TEMPERATURE | 0°C to + 70°C |
| INSULATION | Class A |
| OPERATING VOLTAGE RANGE | 100 VAC to 120 VAC for 115V Type 200 VAC to 240 VAC for 230V Type |
| DIELECTRIC STRENGTH | 5mA Max. at 1200 VAC for 1 second |
| INSULATION RESISTANCE | 10M Ω min. @500 VDC |
| MOTOR TYPE | Shaded Pole Motor |
| SAFETY | Impedance Protected |
| TERMINATION | Terminals or Lead Wire |
| WEIGHT | 1.05 kg |
| ROHS COMPLIANCE | Yes |
| IP LEVEL | IP21(Special IP Rating On Request) |

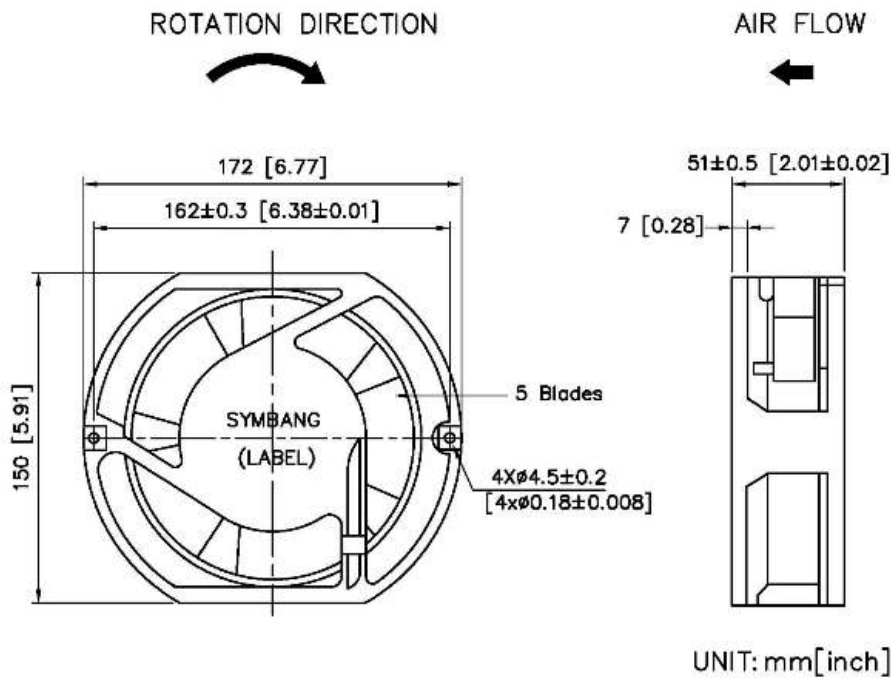
172

 mm

SPECIFICATION

| MODEL NO. | RATED VOLTAGE(V) | RATED CURRENT(A) | INPUT POWER(W) | SPEED (RPM) | MAX. AIR PRESSURE | | MAX. AIR FLOW | | NOISE dB(A) @1M |
|--------------|------------------|------------------|----------------|-------------|-------------------|-----------|---------------|----------|-----------------|
| | | | | | inchH2O | mmH2O | CFM | m3/min | |
| A17251V1HA-C | 110 | 0.50/0.45 | 38/35 | 2800/3100 | 0.63/0.79 | 15.9/20.0 | 190/233 | 5.40/6.6 | 50/45 |
| A17251V2HA-C | 220 | 0.23/0.21 | 32/31 | 2800/3100 | 0.63/0.79 | 15.9/20.0 | 190/233 | 5.40/6.6 | 50/45 |

DIMENSION



SYMBANG

AIR PERFORMANCE

