

# A

# 17689

176x176x89mm(6.92"x6.92"x3.5")



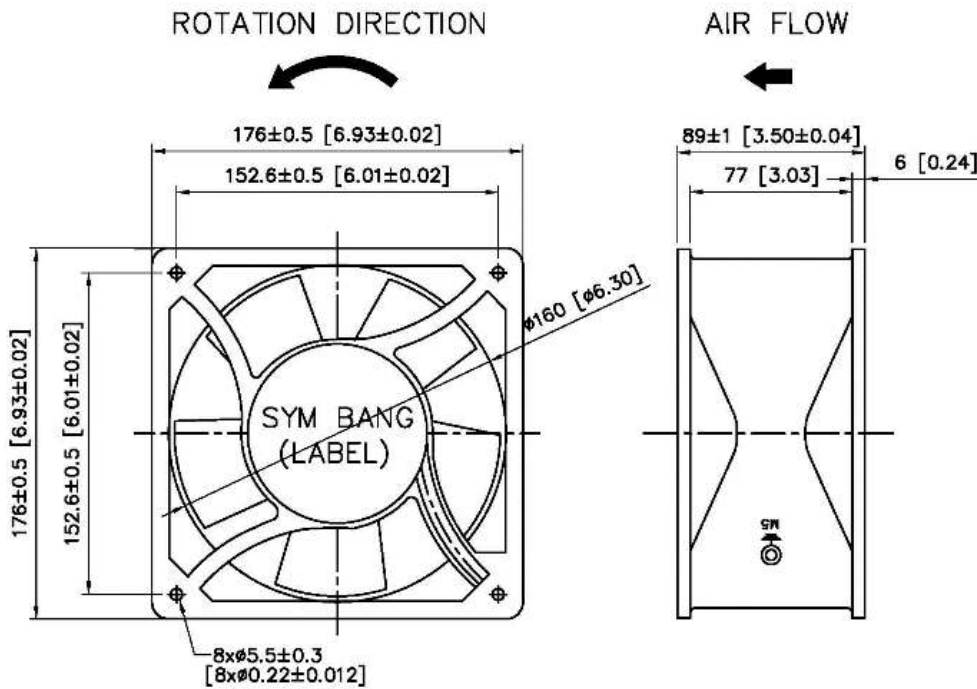
HOUSING	Aluminum Die Casting, Painted Black
IMPELLER	Thermoplastic PBT+ Class Fiber30% UL94V-0
BEARING	Ball
OPERATING TEMPERATURE	-10°C to + 70°C
INSULATION	Class A
OPERATING VOLTAGE RANGE	100 VAC to 120 VAC for 115V Type 200 VAC to 240 VAC for 230V Type
DIELECTRIC STRENGTH	5mA Max. at 1500 VAC for 1 second
INSULATION RESISTANCE	10M Ω min. @500 VDC
MOTOR TYPE	AC Induction Capacitor Motor
SAFETY	Thermally Protected
TERMINATION	Terminals or Lead Wire
WEIGHT	2 kg
ROHS COMPLIANCE	Yes
IP LEVEL	IP21(Special IP Rating On Request)

# 176mm

## SPECIFICATION

MODEL NO.	RATED VOLTAGE(V)	RATED CURRENT(A)	INPUT POWER(W)	SPEED (RPM)	MAX. AIR PRESSURE		MAX. AIR FLOW		NOISE dB(A) @1M
					inchH2O	mmH2O	CFM	m3/min	
A17689V1H	115	0.57/0.54	63/62	2650/3000	0.60/0.74	15.3/18.8	342/383	9.7/10.9	56/60
A17689V2H	230	0.20/0.22	46/52	2765/3160	0.61/0.77	15.5/19.6	346/395	9.8/11.2	58/62

## DIMENSION



SYMBANG

## AIR PERFORMANCE

