

A

22060-B

Ø220x60mm(Ø8.66"x2.36")



HOUSING	Aluminum Die Casting, Painted Black
IMPELLER	Thermoplastic PBT, UL94V-0
BEARING	Ball
OPERATING TEMPERATURE	-10°C to + 70°C
INSULATION	Class A
OPERATING VOLTAGE RANGE	100 VAC to 125 VAC for 110V Type
	200 VAC to 240 VAC for 220V Type
DIELECTRIC STRENGTH	5mA Max. at 1500 VAC for 1 second
INSULATION RESISTANCE	10M Ω min. @500 VDC
MOTOR TYPE	AC Induction Capacitor Motor
SAFETY	Thermally Protected
TERMINATION	Terminals or Lead Wire
WEIGHT	1.6 kg
ROHS COMPLIANCE	Yes
IP LEVEL	IP21 (Special IP Rating On Request)

220

 mm

SPECIFICATION

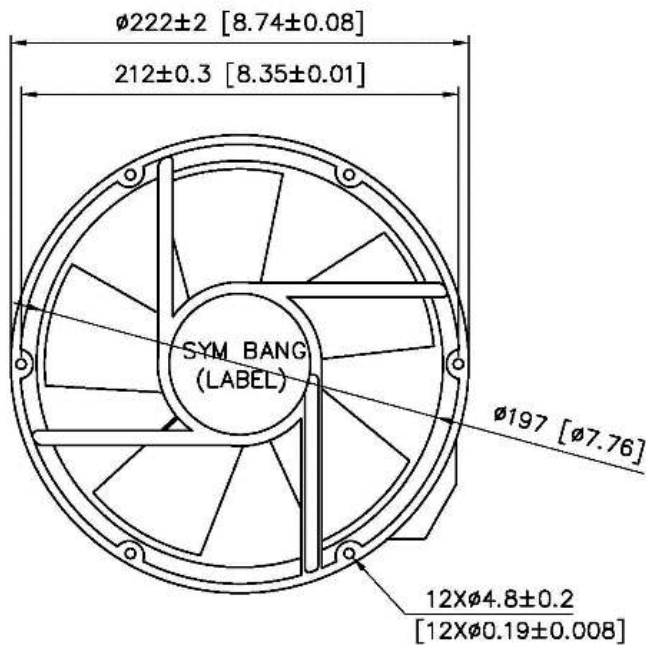
MODEL NO.	RATED VOLTAGE(V)	RATED CURRENT(A)	INPUT POWER(W)	SPEED (RPM)	MAX. AIR PRESSURE		MAX. AIR FLOW		NOISE dB(A) @1M
					inchH2O	mmH2O	CFM	m3/min	
A22060V1HB-B	110	0.42	42	2600/2900	0.83/0.95	21/24	406/465	11.5/13.2	62/68
A22060V2HB-B	220	0.2	40	2600/2900	0.83/0.95	21/24	406/465	11.5/13.2	62/68

DIMENSION

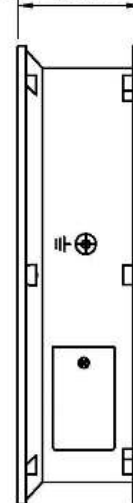
ROTATION DIRECTION



AIR FLOW



60 ± 0.5 [2.36 ± 0.02]



UNIT: mm[inch]

AIR PERFORMANCE

