



Product Specifications

Customer	
Model	NTSP215-4 V500



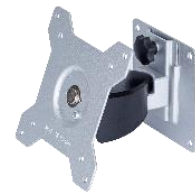
Records of Revision			
Vision	Modifying	Old Description	New Description
v2106.1	Preliminary specification		

Features

- ★ 21.5" Industrial Panel, 16:9/1920x1080 (FHD) Resolution
- ★ VA Wide Viewing Angle Technology (178°/178°)
- ★ Narrow bezel, true Flat Projected Capacitive Touch Screen
- ★ 10 points Multi-touch , Supports Active Stylus
- ★ Metal Cabinet with Diverse Combine Options
- ★ Made in Taiwan, 3 Years Warranty.
- ★ Optional Video Input (VGA/DVI/HDMI/DP)
- ★ Optional High Brightness 1500nits, for Outdoor Environment
- ★ Optional 100~240VAC and 9~36VDC Power Input
- ★ Optional Software Remote Control by RS232
- ★ Optional Auto Dimming Function (with Light Sensor)
- ★ Optional Antibacterial/AG/AR/AF/AS Film



Desktop Stand



Wall Mounting



Side Brackets



PSE



BSMI



FCC



CE



RoHS



ISO9001



Display Specifications

Model Name	NTSP215 XX4XX-XXXXXX -500*	Display Mode	AHVA Mode, Normally Black
Screen Diagonal	21.5 inch	Response Time	22 msec.
Display Area	476.0x267.7 mm	Backlight Unit	LED (white LED)
Resolution	1920x1080 (FHD)	Viewing Angle (L/R, U/D)	178°/178° (CR=10)
Contrast Ratio	1000:1	Backlight Lifetime	>50,000 Hours
Display Ratio	16:9	Operating Temp.	0~60°C
Support Color	16.7M Colors	Storage Temp.	-20~60°C
Pixel Pitch	247.95x247.95 um	Surface Treatment	AG Coating, Hardness 3H

* X = A~Z, 0~9 (Depends on options)

Display Options

Brightness			
	Brightness	Environment	Model Name
Standard	250nits	General (Indoor)	NTSP215 NX4XX-XXXXXX -500
Option 1	1000nits	Outdoor Environment	NTSP215 AX4XX-XXXXXF -500
Option 2	1500nits	Sunlight Readable	NTSP215 FX4XX-XXXXXF -500

Accessories

Item	Description	Quantity
VGA Cable	D-Sub 15Pin Male to Male, 1.2 Meter	1
Audio Cable	3.5mm Headset Jack, Male to Male, 1.2 Meter	1
AC-DC Adapter	4.16A/12V with CE/FCC/CCC/UL/RoHS/PSE/JET Certification	1
Power Cord	*Country Specific	1
USB Cable	A type, Male to Male, 1.5 Meter *(only for touch monitor)	1

Touch Options

Projected Capacitive			
Model Name	NTSP215X <u>P</u> 4XX-XXXXX-500		
Touch Technology	Projected Capacitive	Transparency	≥87%
Allowed Touch Points	10 points	Accuracy	99.00%
Interface	USB/RS232 (Option)	Thickness of Cover Lens	2.9±0.2mm
IK Ratings	IK07	Hardness of Cover Lens	7H



* True Flat, 1mm Bezel

Non-Touch	
Model Name	NTSP215X <u>0</u> 4XX-XXXX0X-500

Supported OS

Windows	Win7, Win8, Win10 ↑
Linux	Kernel 2.6.24 ↑
Android	3.0 ↑
Mac	10.5.x ↑ (Intel CPU)

General Options

Video Input		
	Description	Model Name
Standard	VGA+HDMI+DP	NTSP215XX43X-XXXXXX-500
Option	VGA+DVI	NTSP215XX4 4 1-XXXXXX-500



VGA+HDMI+DP

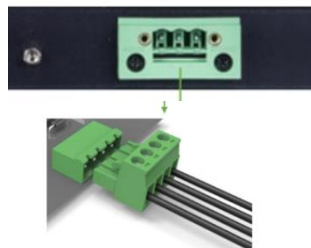


VGA+DVI

Power Input		
	Description	Model Name
Standard	12V, Lockable DC Jack Φ2.1mm	NTSP215XX432-XXXXXX-500
Option 1	12VDC, DC Jack Φ 2.1mm	NTSP215XX4 4 1-XXXXXX-500
Option 2	9~36VDC, Phoenix Terminal Block	NTSP215XX4 3 P-XXXXXX-500
Option 3	100~240VAC, C14 Female Socket	NTSP215XX4 3 A-XXXXXX-500



Lockable DC Power Jack



Phoenix Terminal Block



C14 AC Socket

Surface Film		
	Description	Model Name
Standard	(none)	NTSP215XX4XX-00XXXX-500
Option	Anti-Glare Coating	NTSP215XX4XX- GG XXXX-500
Option	Antibacterial (AB Film)	NTSP215XX4XX- AB XXXX-500
Option	Anti-Glare +UV-Cut (AG+UV Film)	NTSP215XX4XX- GU XXXX-500
Option	Anti-Glare +Fingerprint (AG+AFP Film)	NTSP215XX4XX- GP XXXX-500
Option	Anti-Reflective +Fingerprint (AR+AFP Film)	NTSP215XX4XX- RP XXXX-500
Option	Anti-Glare +Reflective +Fingerprint (AG+AR+AFP Film)	NTSP215XX4XX- GR XXXX-500
Option	Anti-Spy (AS Film)	NTSP215XX4XX- SF XXXX-500



General Options (Continued)

Color of Cabinet		
	Description	Model Name
Standard	Black	NTSP215XX4XX-XXBXXX-500
Option 1	White	NTSP215XX4XX-XXWXXX-500
Option 2	Silver	NTSP215XX4XX-XXSXXX-500
Options	Other Colors	NTSP215XX4XX-XXXXXX-500

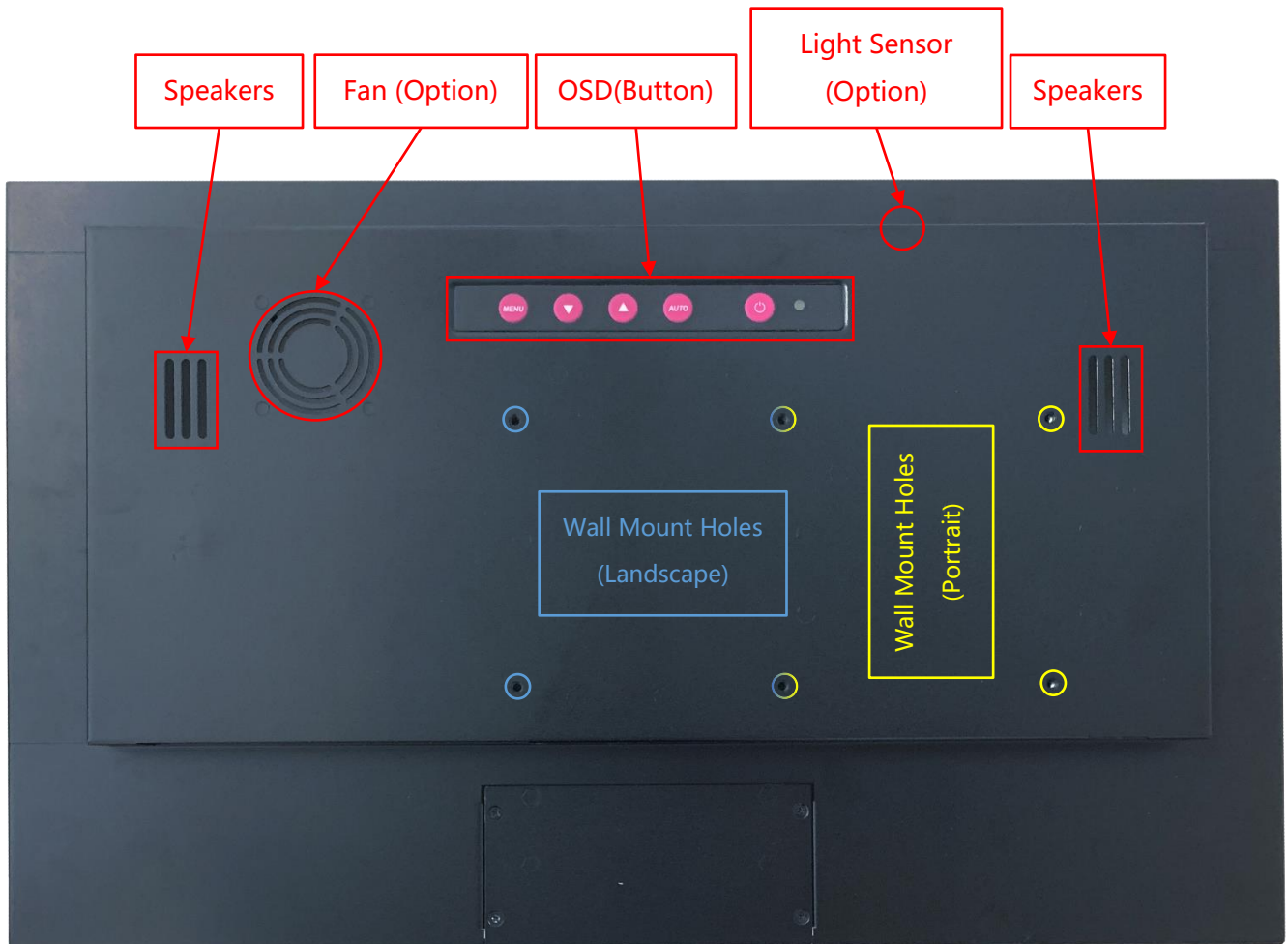
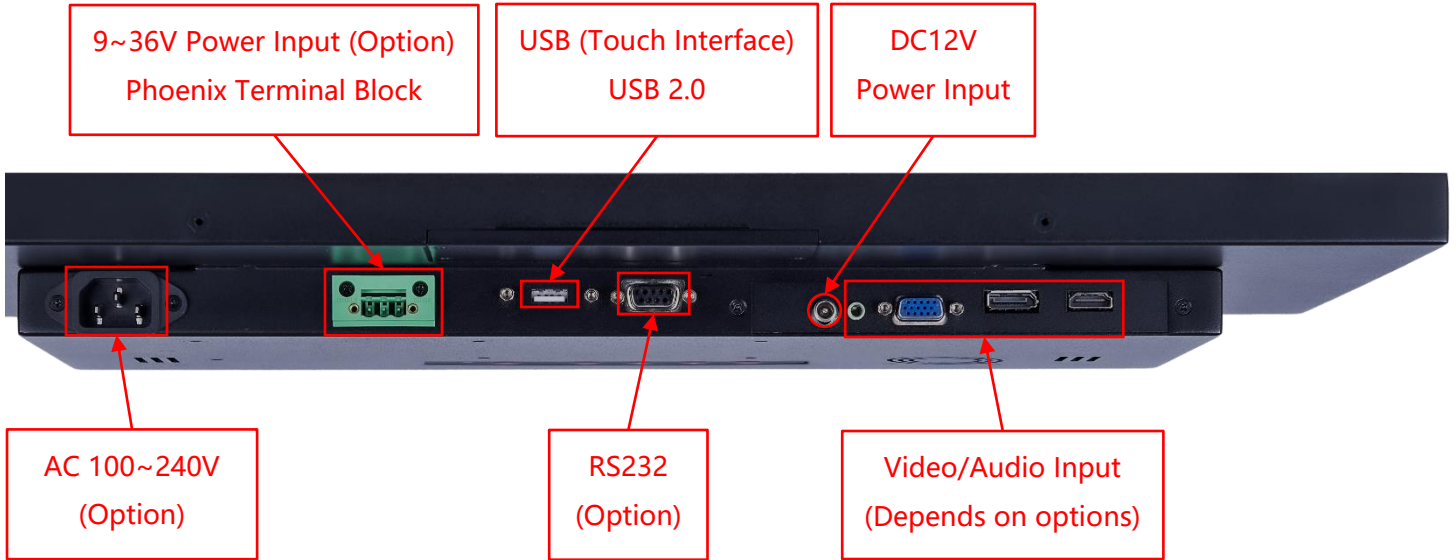
* X = A~Z, 0~9 (Depends on Color)

Material of Cabinet		
	Description	Model Name
Standard	SECC	NTSP215XX4XX-XXXSXX-500
Option 1	Stainless Steel	NTSP215XX4XX-XXXLXX-500
Option 2	Aluminum	NTSP215XX4XX-XXXAXX-500

Touch Interface		
	Description	Model Name
Standard	USB	NTSP215XP4XX-XXXXUX-500
Option 1	RS232	NTSP215XP4XX-XXXXRX-500
Option 2	Non-Touch	NTSP215X04XX-XXXXOX-500

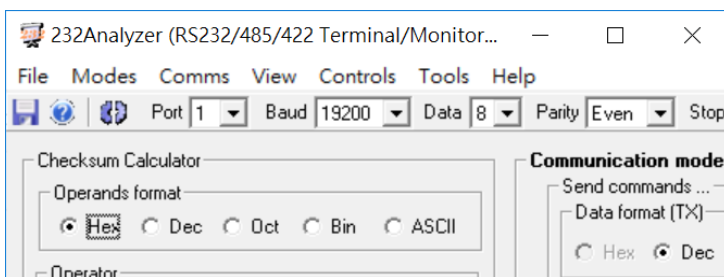
Cooling Fan		
	Description	Model Name
Standard	Fanless	NTSP215XX4XX-XXXXX0-500
Option	7 Blades/4000r.p.m/28.3dB	NTSP215XX4XX-XXXXXF-500

Input /Output System

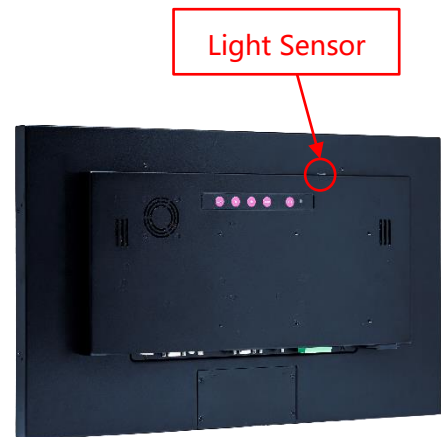


Other Options

OSD Control		
	Item	Description
Standard	Button	Rear Physical Button
Option 1	Software Remote Control	Software Remote Control by RS232/Serial Port
Option 2	Auto Dimming	Auto Brightness Adjusting by Light Sensor



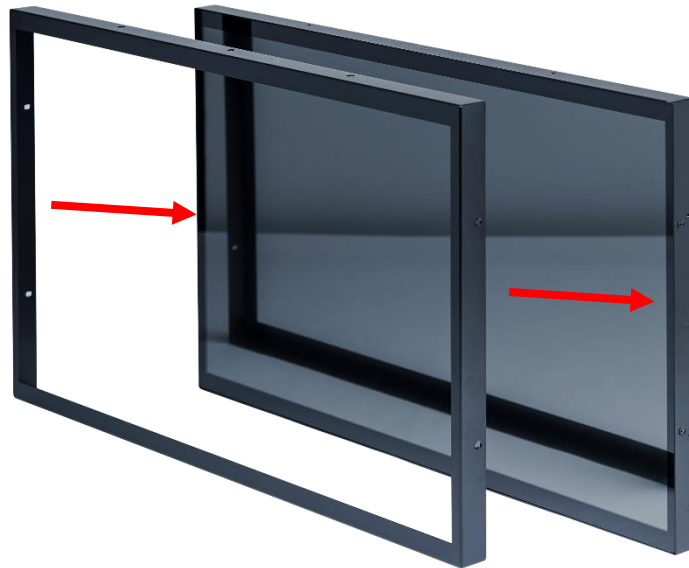
* Software Remote Control



Active Stylus Option	
Technology	Active Capacitive Coupled
Working Frequencies	90~250 KHZ
Pressure Level	256~1024 Levels
Side Buttons	2 Side Buttons (Eraser, Barrel)
Active Tip Force	5~25g
Max. Tip Force	400g



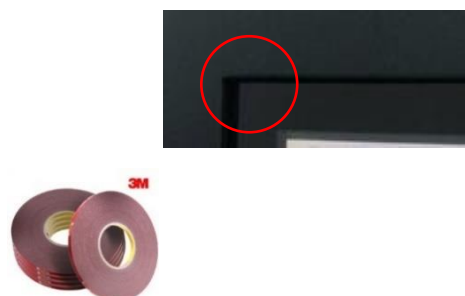
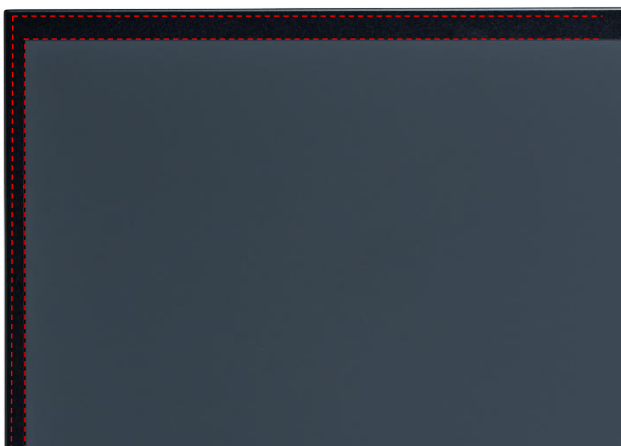
Front Cover (Option)



The standard **NTSP215** is true flat surface, with only 1mm metal bezel.
To protect the corners of the touch screen, the **Front Cover** can be added.



The watertight gasket can be added between the **Front Cover** and **NTSP215**.
It complies **IP65** on front.

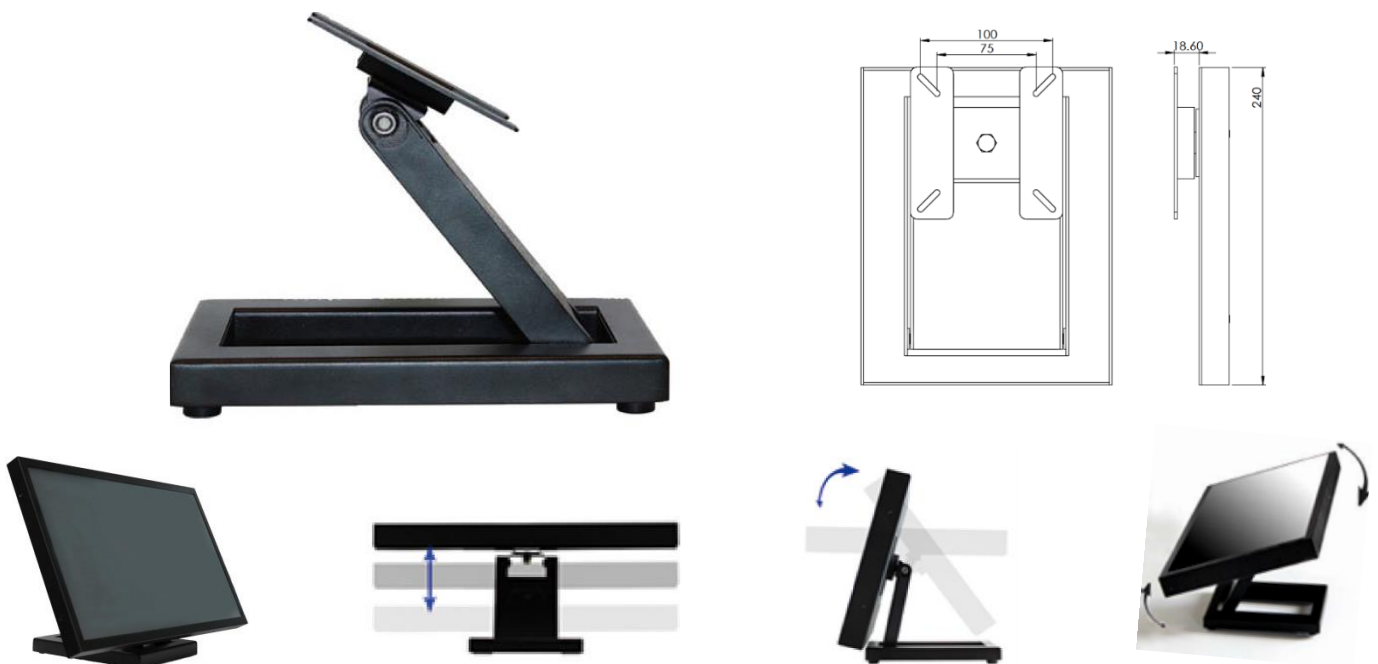


Desktop Stand (Option)

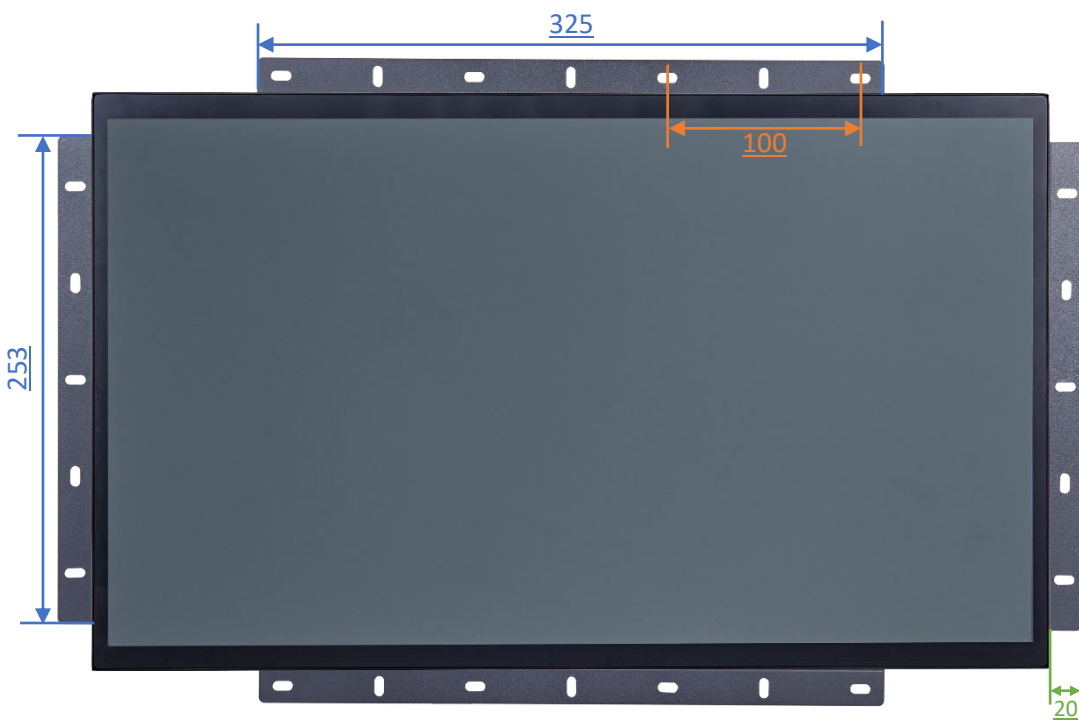
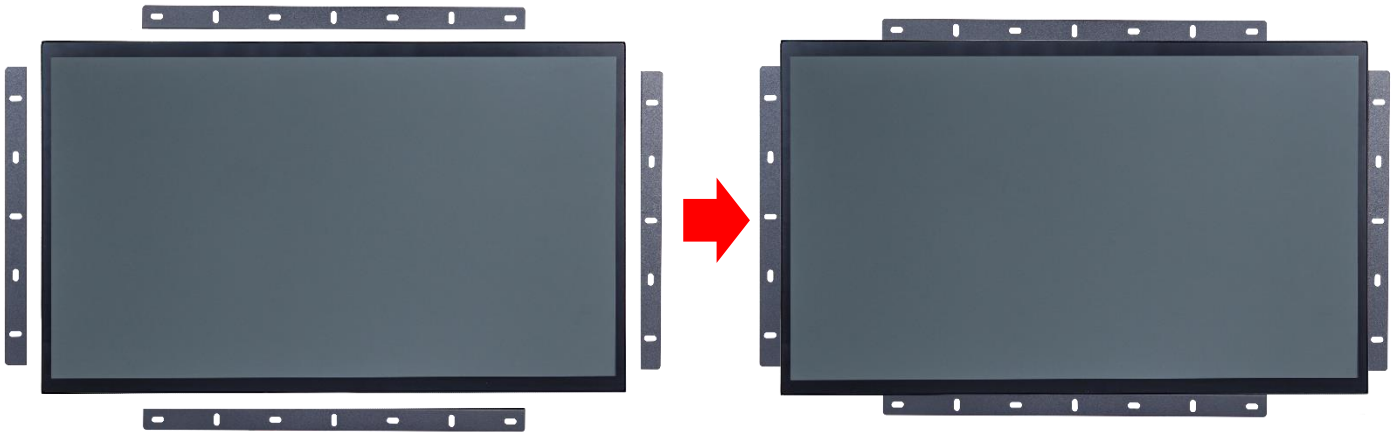
Item	B Stand	Part No.	DST-0B002/DST-1B002
Mounting Pattern	100x100 / 75x75 mm	Dimension (WxHxD)	203x275x227 mm
Material	Steel/Plastic/Aluminum	Net Weight	1.8 KG
Tilt (Hinge)	-2° ~ +180°	Support Max. Weight	15 KG



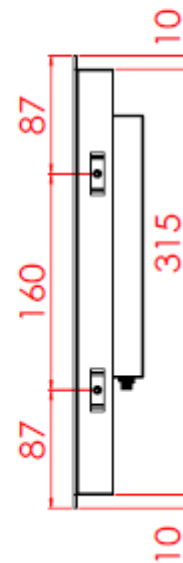
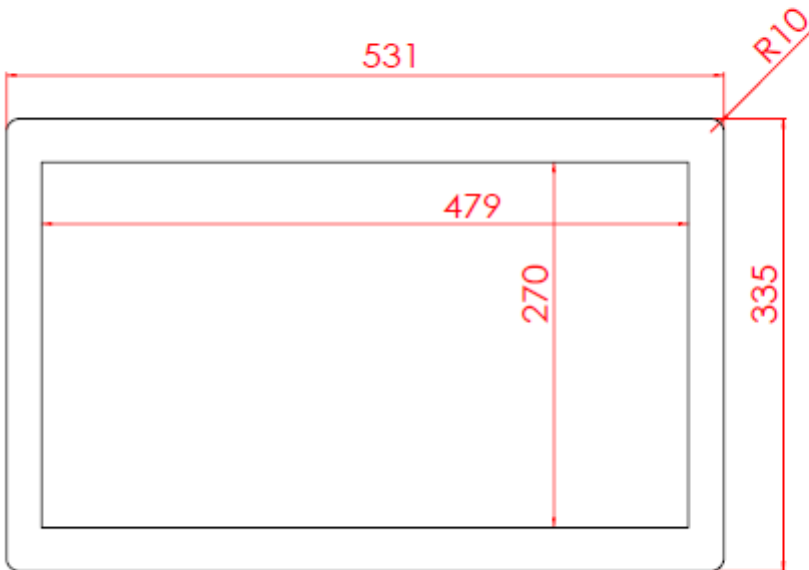
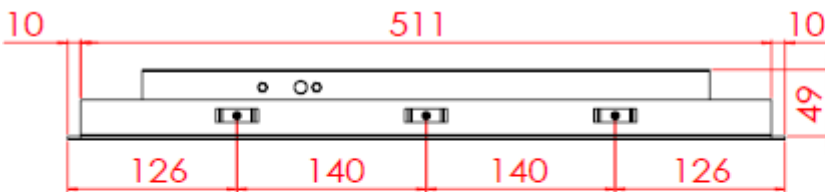
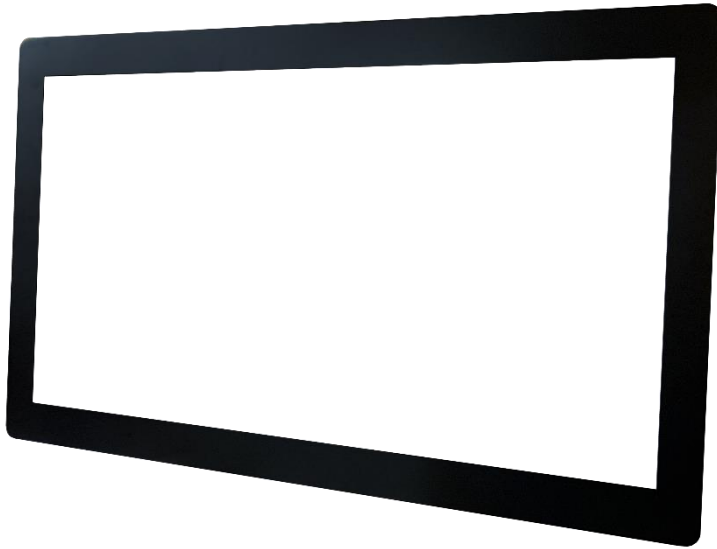
Item	Z Stand	Part No.	DST-0BZ01/DST-1BZ01
Mounting Pattern	100x100 / 75x75 mm	Dimension (WxHxD)	190x240x41.6
Material	SECC	Net Weight	2.6 KG
Tilt (Hinge)	±360°	Support Max. Weight	15 KG

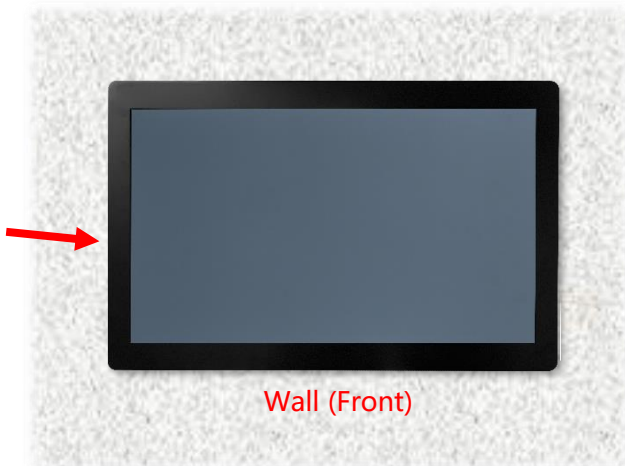
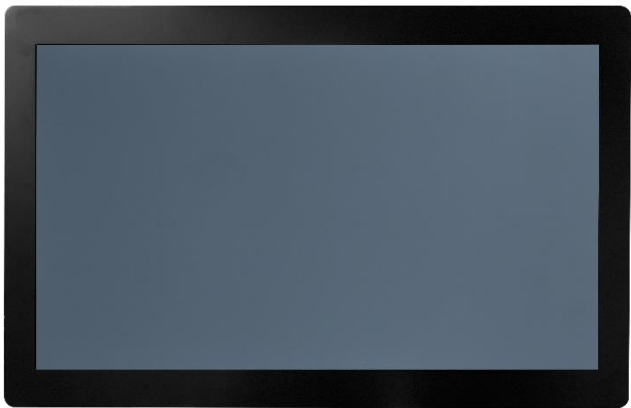
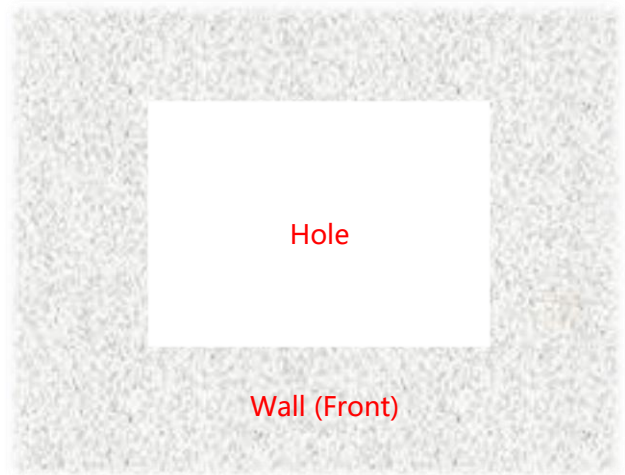


Open-frame Brackets (Option)

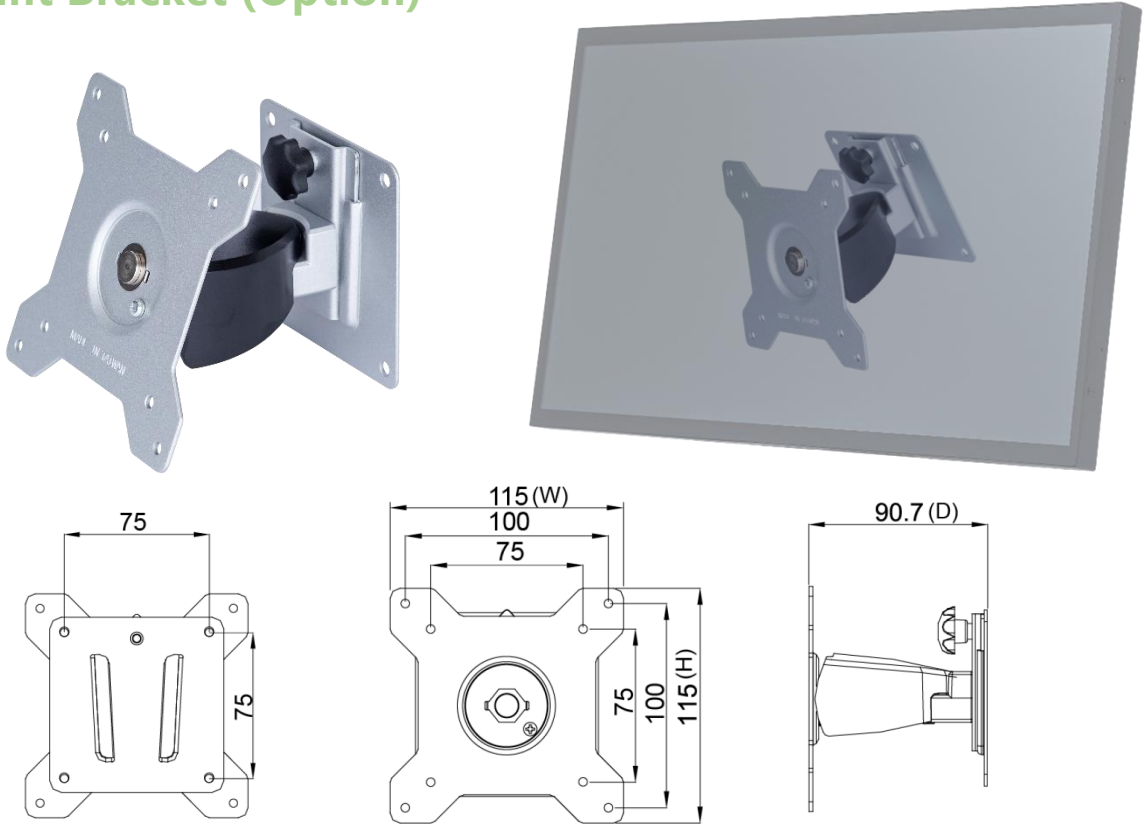


Panel Mount Kits (Option)

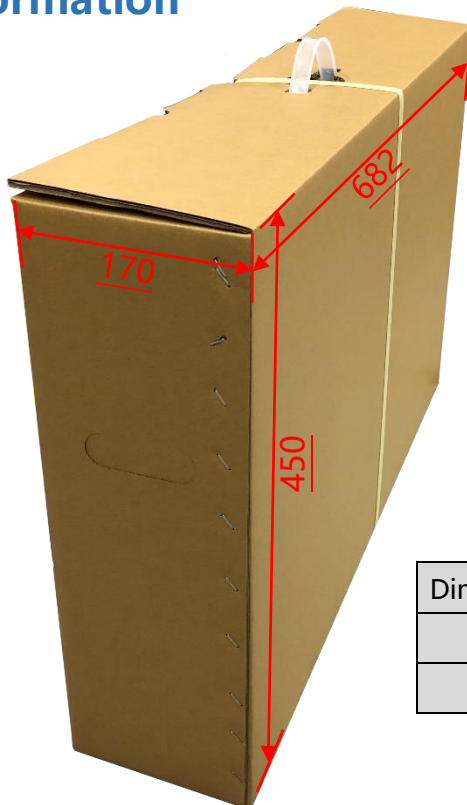




Wall Mount Bracket (Option)



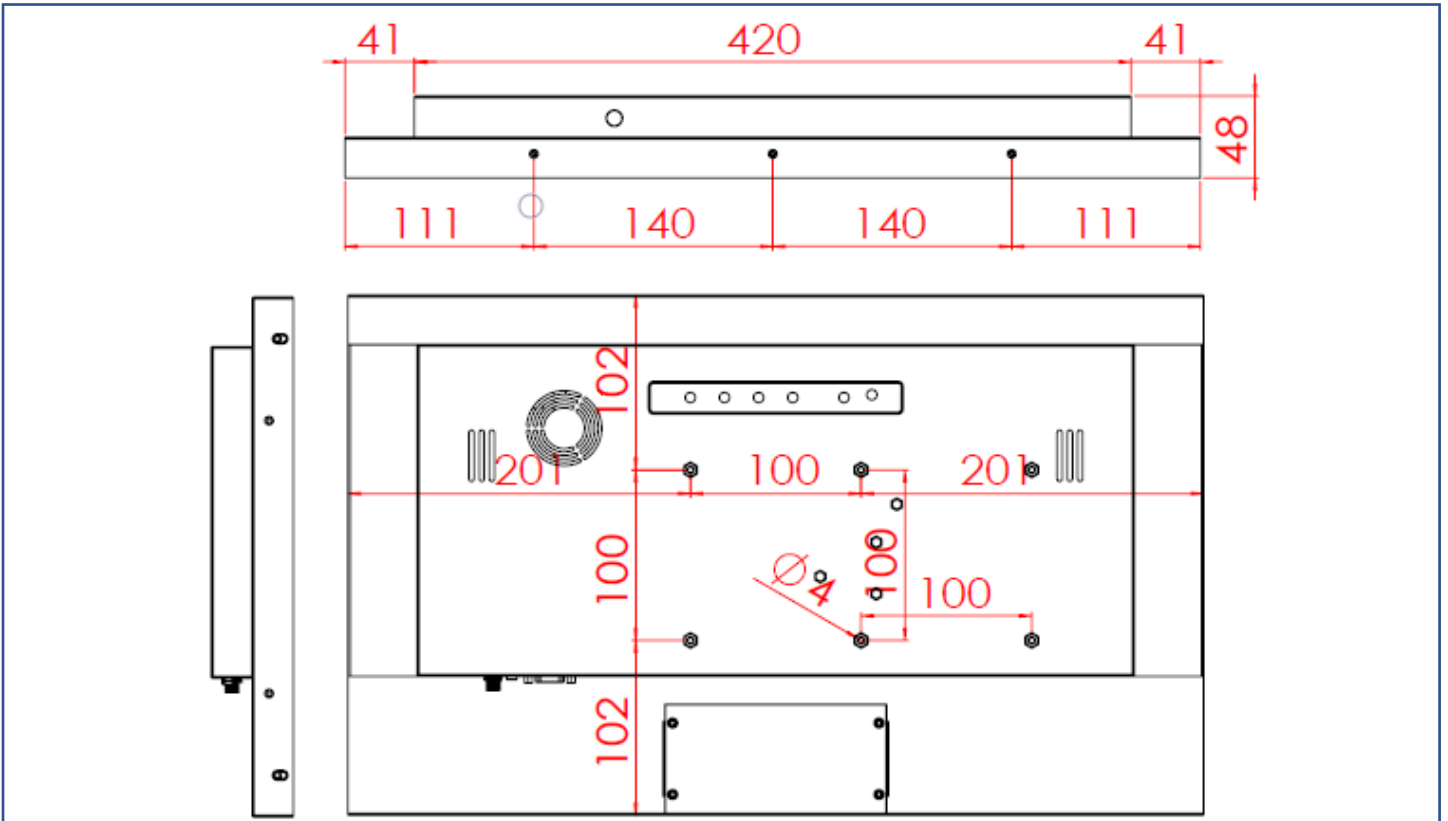
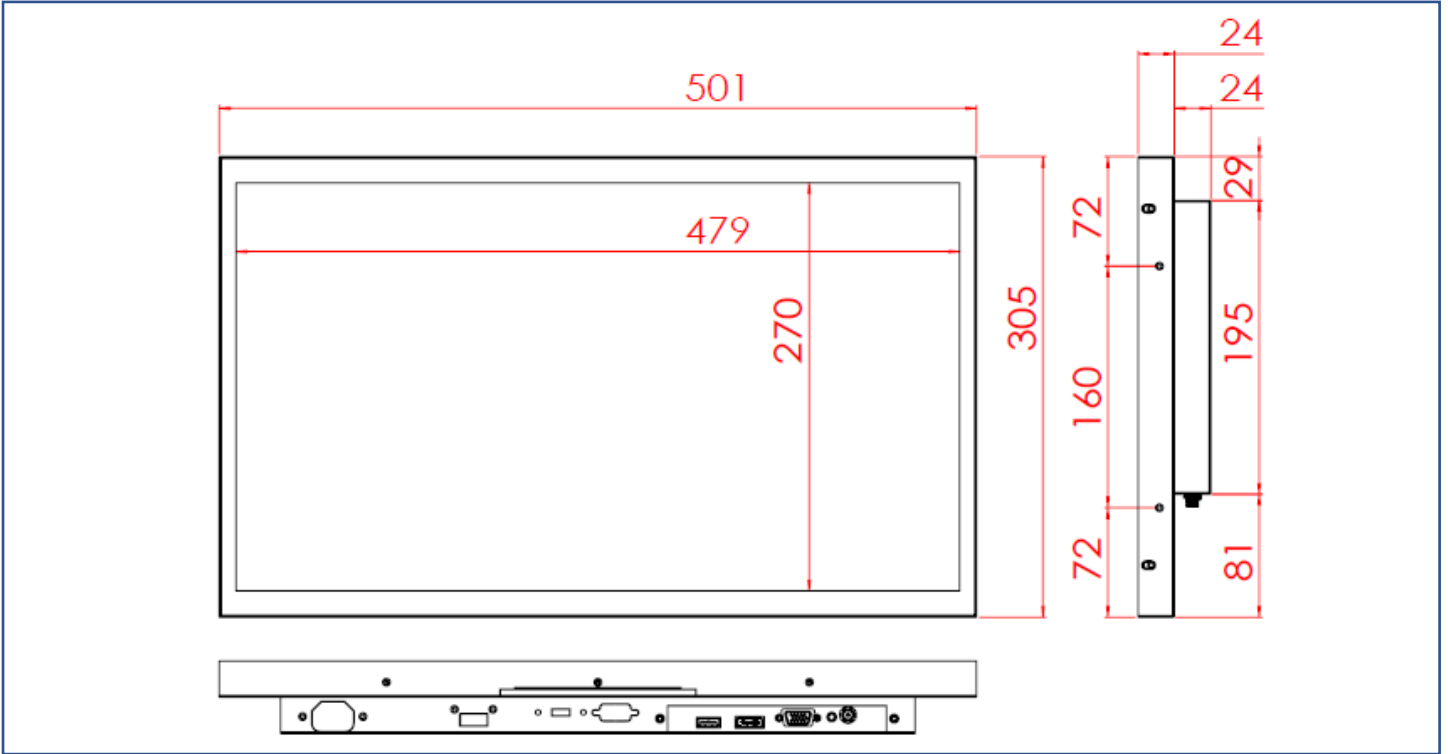
Packing Information



Dimensions of Carton	680x170x450 mm
Net Weight	≤4.8 KG
Gross Weight	≤6.8 KG

Physical Specifications

Dimension (Max)	501x305x48(±2)mm	Net Weight	≤4.8 KG
VESA Mounting	100x100 mm	Gross Weight	≤6.8 KG



Cosmetic Inspection Standard

Display Area Allowance			
Defect description	Defective Specifications	Allowance	Remarks
Dot Defect (including dark dot, particles, bubbles, pits, dust, foreign matter)	$D \leq 0.2\text{mm}$	Ignored	D=Diameter
	$0.2 < D \leq 0.7\text{mm}$	$N \leq 5$	N=Quantity
	$0.7 < D \leq 1\text{mm}$	$N \leq 3$	
	$D > 1\text{mm}$	$N \leq 0$	
Linear Defect (including scratches, fluff, particles)	$W \leq 0.15\text{mm}$	Ignored	W=Width
	$0.15 < W \leq 0.5\text{mm}, L \leq 15\text{mm}$	$N \leq 2$	L=Length
	$W > 0.5\text{mm}$ or $L > 15\text{mm}$	NG	

* Visual inspection distance: 60cm, 90 degree (same for front/side/back)

Front Appearance Allowance (Including Coating)			
Defect description	Defective Specifications	Allowance	Remarks
Dot Defect (including particles, bubbles, pits...etc.)	$D \leq 0.7\text{mm}$	Ignored	D=Diameter
	$0.7 < D \leq 1.5\text{mm}$	$N \leq 3$	N=Quantity
	$D > 1.5\text{mm}$	$N \leq 0$	
Linear Defect (including scratches, fluff, particles)	$W \leq 0.2\text{mm}, L \leq 15\text{mm}$	Ignored	W=Width, L=Length
	$0.2 < W \leq 0.7\text{mm}, L \leq 15\text{mm}$	$N \leq 1$	
	$W > 0.7\text{mm}$ or $L > 15\text{mm}$	NG	

Side / Back Appearance Allowance (Including Coating)			
Defect description	Defective Specifications	Allowance	Remarks
Dot Defect (including particles, bubbles, pits...etc.)	$D \leq 1.5\text{mm}$	Ignored	D=Diameter
	$1.5 < D \leq 3\text{mm}$	$N \leq 8$	N=Quantity
	$D > 3\text{mm}$	$N \leq 2$	
Linear Defect (including scratches, fluff, particles)	$W \leq 0.8\text{mm}, L \leq 15\text{mm}$	Ignored	W=Width, L=Length
	$0.8 < W \leq 1.5\text{mm}, L \leq 15\text{mm}$	$N \leq 5$	
	$W > 1.5\text{mm}$ or $L > 15\text{mm}$	NG	



Display Area
(Red Area)



Front Appearance (Red Area)



Back Appearance