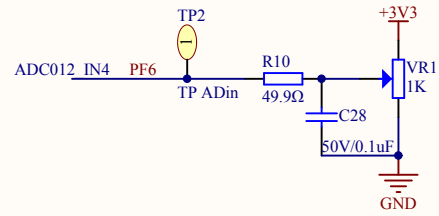


### ADC



### DAC

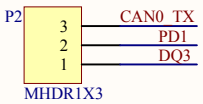
PA4 is an AFIO, please refer to TLI Schematic for right config



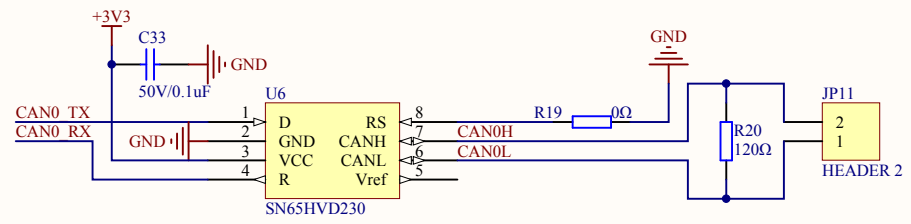
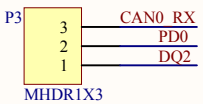
<b>Company Name: GigaDevice</b>		
<b>File Name: AD_DA</b>		
Revision: 1.0	Data: 2016-7	Author: XuFei

# CAN

Short P2(1,2) for EXMC function  
Short P2(2,3) for CAN0 function



Short P3(1,2) for EXMC function  
Short P3(2,3) for CAN0 function



**Company Name: GigaDevice**

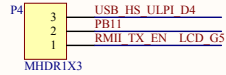
**File Name: CAN**

Revision: 1.0

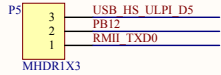
Data: 2016-7

Author: XuFei

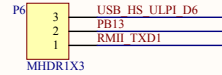
Short P4(1,2) for LCD/Eth function  
Short P4(2,3) for USB\_HS function



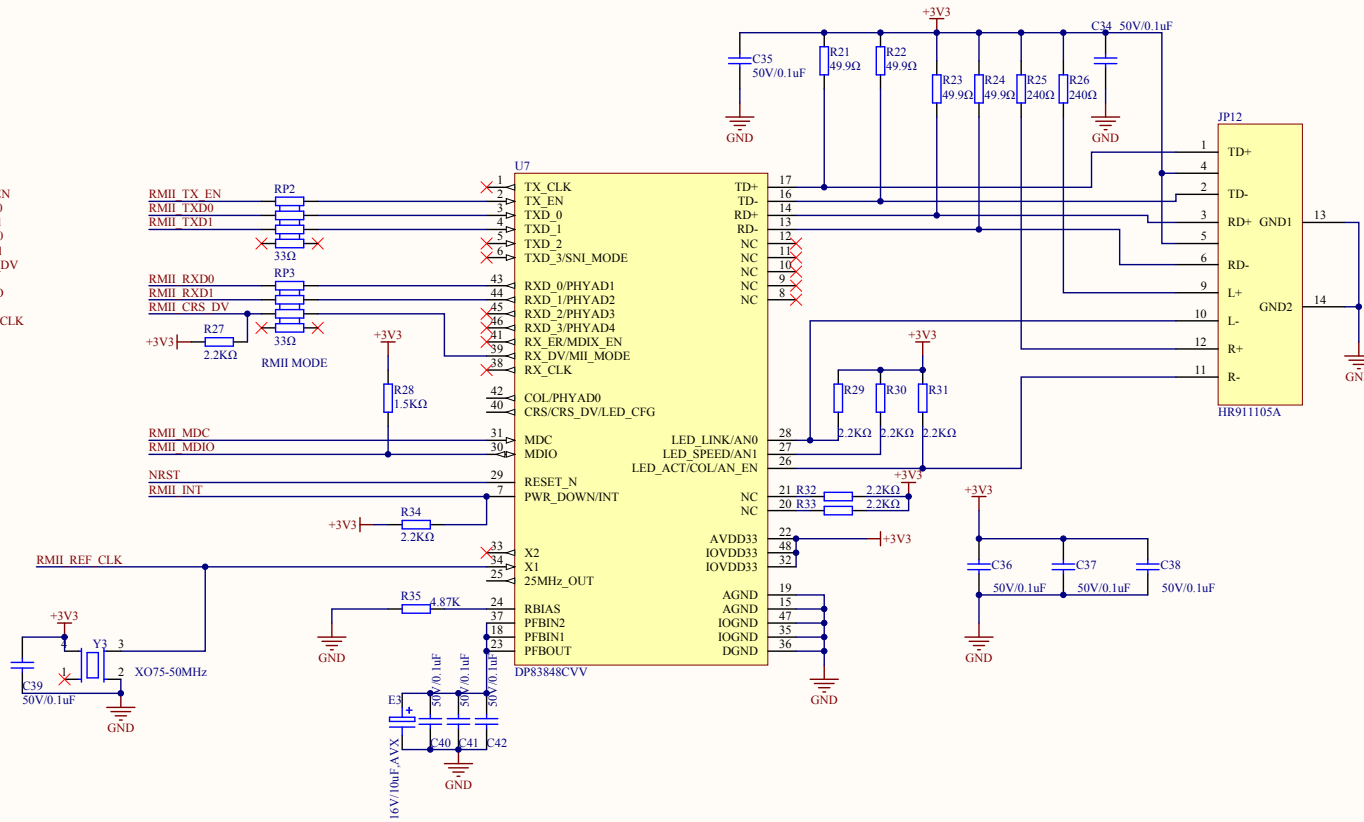
Short P5(1,2) for Eth function  
Short P5(2,3) for USB\_HS function



Short P6(1,2) for Eth function  
Short P6(2,3) for USB\_HS function

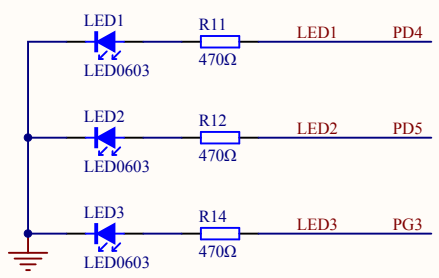


12S1 SD  
PB11 RMII TX EN  
PB12 RMII TXD0  
PB13 RMII TXD1  
PC4 RMII RXD0  
PC5 RMII RXD1  
PA7 RMII CRS\_DV  
PC1 RMII MDC  
PA2 RMII MDIO  
PB15 RMII INT  
PA1 RMII REF\_CLK

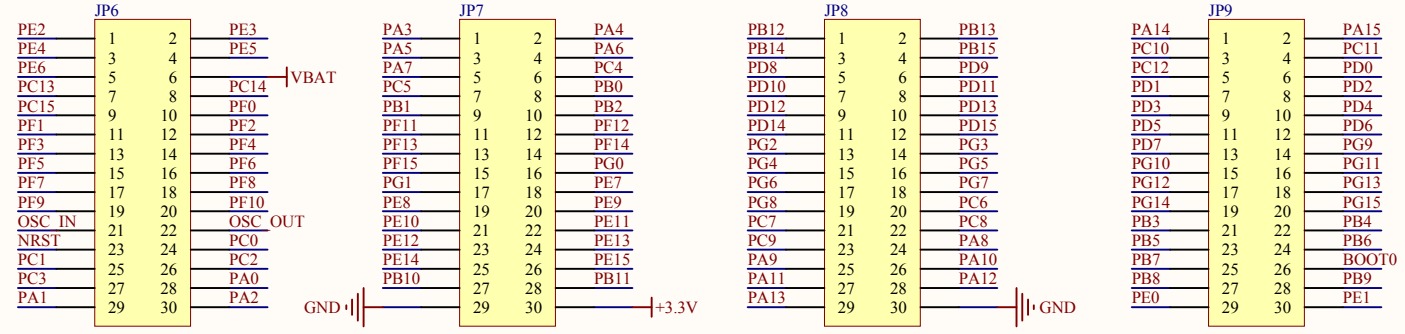


<b>Company Name: GigaDevice</b>		
<b>File Name: Ethernet</b>		
Revision: 1.0	Date: 2016-7	Author: Xufei

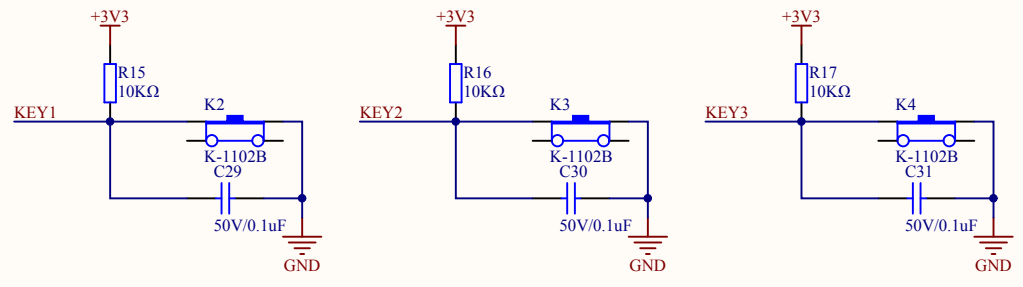
### LED



### Extension Pin



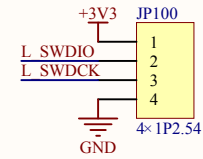
### KEY



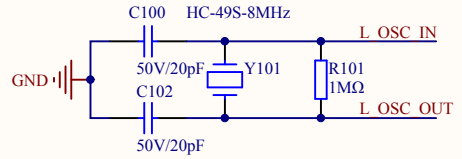
PA0 KEY1  
 PC13 KEY2  
 PB14 KEY3

<b>Company Name: GigaDevice</b>		
<b>File Name: Extension</b>		
Revision: 1.0	Data: 2016-7	Author: XuFei

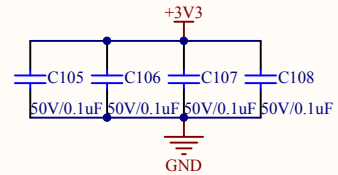
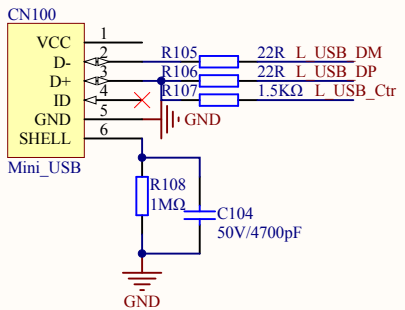
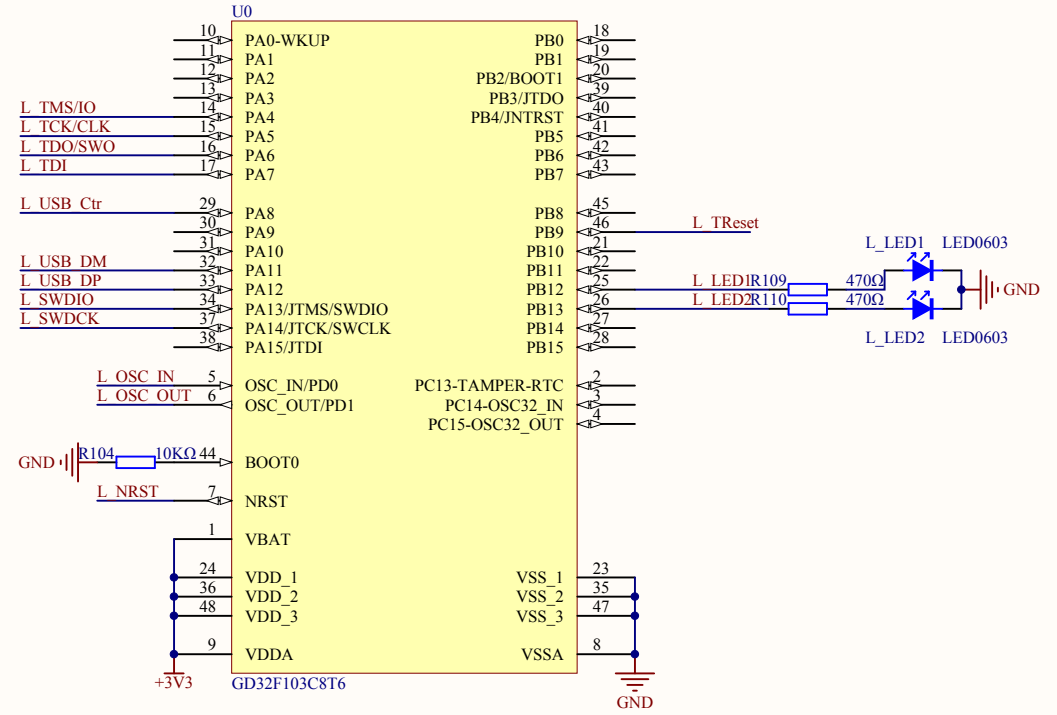
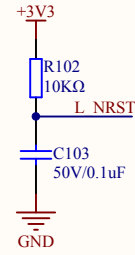
### MCU SWD



### HSE



### Reset

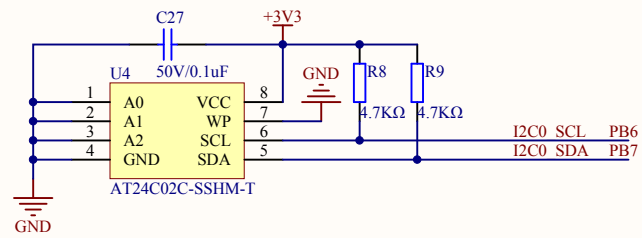


Company Name: GigaDevice

File Name: GDLink

Revision: 1.1	Data: 2016-7	Author: XuFei
---------------	--------------	---------------

# I2C



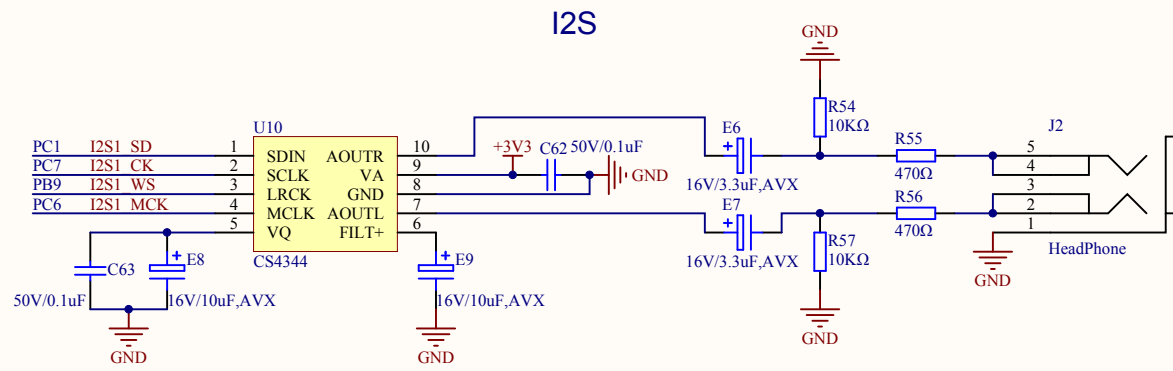
**Company Name: GigaDevice**

**File Name: I2C**

Revision: 1.0

Data: 2016-7

Author: XuFei



**Company Name: GigaDevice**

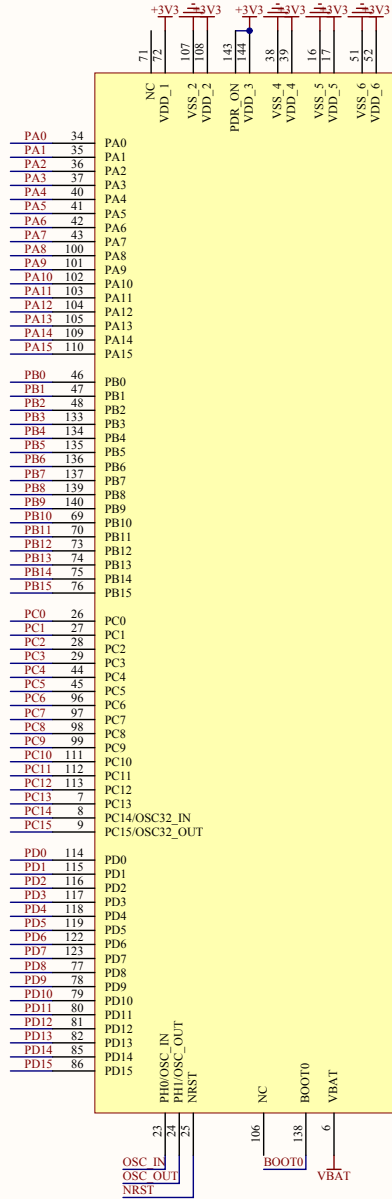
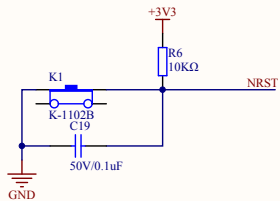
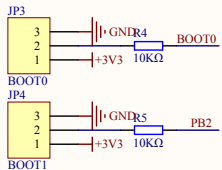
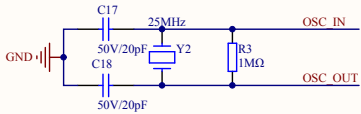
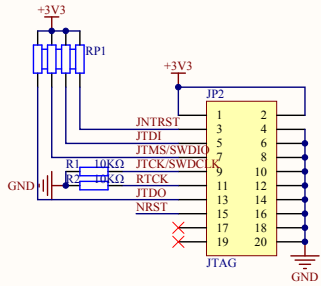
**File Name: I2S**

Revision: 1.1

Data: 2016-9

Author: Xufei

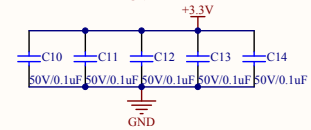
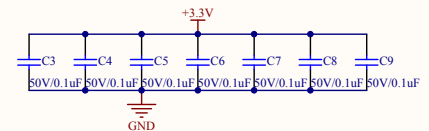
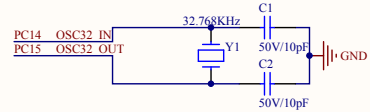
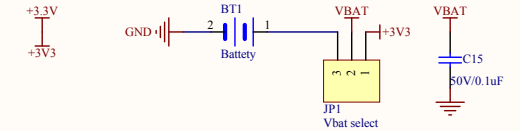
GDLink JTAG PB4  
 JNTRST PA15  
 L TDI JTDI PA13  
 L TMS/IO JTMS/SWDIO PA13  
 L TCK/CLK JTCK/SWDCLK PA14  
 L TDO/SWO JTDO PB3  
 L TRset NRST



U1 GD32F4xxZxT6

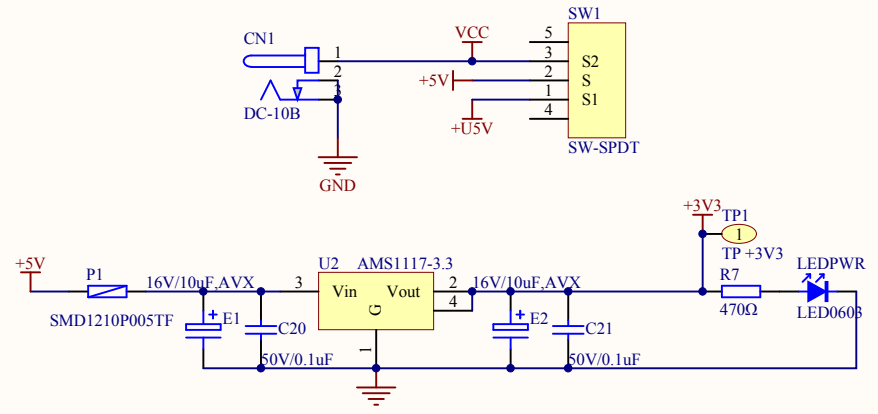
PG0	56	PG0
PG1	57	PG1
PG2	87	PG2
PG3	88	PG3
PG4	89	PG4
PG5	91	PG5
PG6	92	PG6
PG7	93	PG7
PG8	93	PG8
PG9	124	PG9
PG10	125	PG10
PG11	126	PG11
PG12	127	PG12
PG13	128	PG13
PG14	129	PG14
PG15	132	PG15
PF0	10	PF0
PF1	11	PF1
PF2	12	PF2
PF3	13	PF3
PF4	14	PF4
PF5	15	PF5
PF6	18	PF6
PF7	19	PF7
PF8	20	PF8
PF9	21	PF9
PF10	22	PF10
PF11	49	PF11
PF12	50	PF12
PF13	53	PF13
PF14	54	PF14
PF15	55	PF15
PE0	141	PE0
PE1	142	PE1
PE2	1	PE2
PE3	2	PE3
PE4	3	PE4
PE5	4	PE5
PE6	5	PE6
PE7	58	PE7
PE8	59	PE8
PE9	60	PE9
PE10	63	PE10
PE11	64	PE11
PE12	65	PE12
PE13	66	PE13
PE14	67	PE14
PE15	68	PE15

VSS_7	61	VSS_7
VDD_7	62	VDD_7
VSS_8	83	VSS_8
VDD_8	84	VDD_8
VSS_9	94	VSS_9
VDD_9	95	VDD_9
VSS_10	120	VSS_10
VDD_10	121	VDD_10
VSS_11	130	VSS_11
VDD_11	131	VDD_11
VDD	30	VDD
VSSA	31	VSSA
VREF	32	VREF
VDDA	33	VDDA



Company Name: GigaDevice		
File Name: MCU		
Revision: 1.0	Date: 2016-7	Author: XuFei

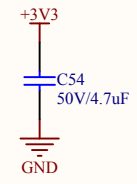
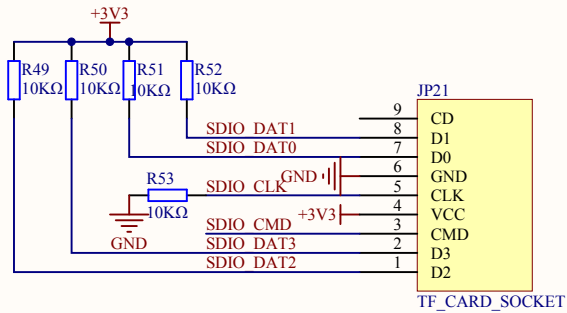




<b>Company Name: GigaDevice</b>		
<b>File Name: Power</b>		
Revision: 1.0	Data: 2016-7	Author: XuFei

### SDIO

PD2	SDIO_CMD
PC12	SDIO_CLK
PC8	SDIO_DAT0
PC9	SDIO_DAT1
PC10	SDIO_DAT2
PC11	SDIO_DAT3



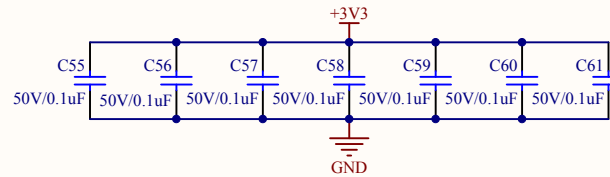
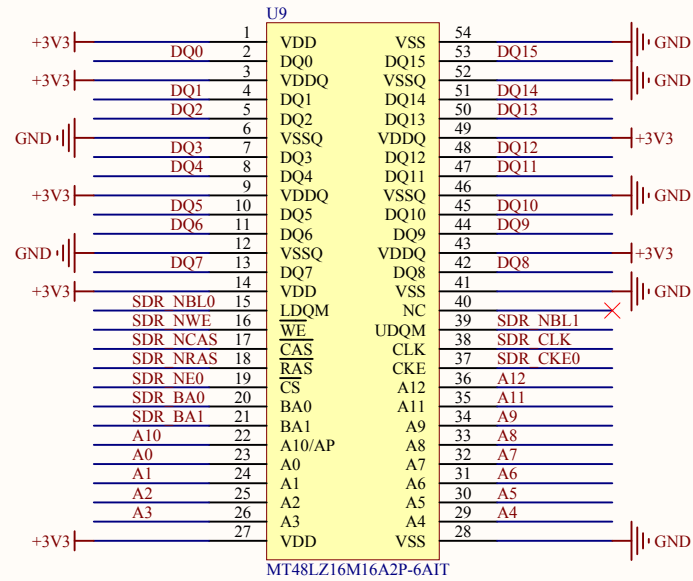
<b>Company Name: GigaDevice</b>		
<b>File Name: SDIO</b>		
Revision: 1.1	Data: 2016-7	Author: Xufei

# SDRAM

PF0	A0
PF1	A1
PF2	A2
PF3	A3
PF4	A4
PF5	A5
PF12	A6
PF13	A7
PF14	A8
PF15	A9
PG0	A10
PG1	A11
PG2	A12

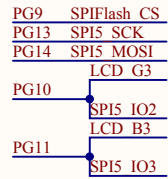
PD14	DQ0
PD15	DQ1
PD0	DQ2
PD1	DQ3
PE7	DQ4
PE8	DQ5
PE9	DQ6
PE10	DQ7
PE11	DQ8
PE12	DQ9
PE13	DQ10
PE14	DQ11
PE15	DQ12
PD8	DQ13
PD9	DQ14
PD10	DQ15

PE0	SDR NBL0
PE1	SDR NBL1
PC3	SDR CKE0
PG4	SDR BA0
PG5	SDR BA1
PG8	SDR CLK
PG15	SDR NCAS
PF11	SDR NRAS
PC2	SDR NE0
PC0	SDR NWE

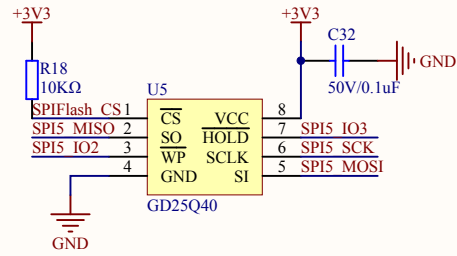
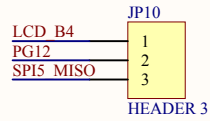


<b>Company Name: GigaDevice</b>		
<b>File Name: SDRAM</b>		
Revision: 1.0	Data: 2016-7	Author: Xufei

### SPI Flash

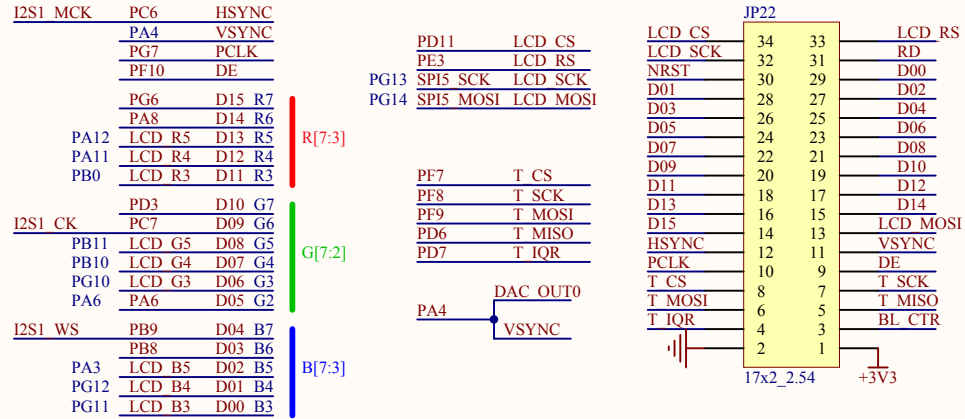


Short JP10(1,2) for TLI function  
 Short JP10(2,3) for SPI5 function



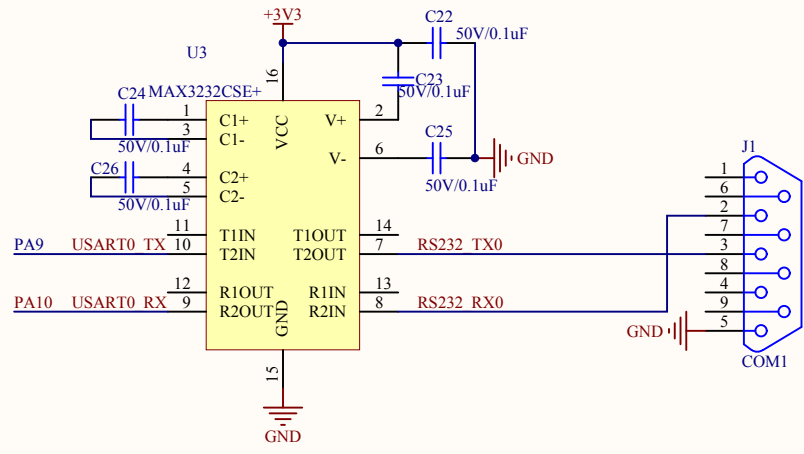
<b>Company Name: GigaDevice</b>		
<b>File Name: SPI</b>		
Revision: 1.0	Data: 2016-7	Author: XuFei

### LCD



<b>Company Name: GigaDevice</b>		
<b>File Name: TLI</b>		
Revision: 1.1	Data: 2016-7	Author: XuFei

### USART0



**Company Name: GigaDevice**

**File Name: USART**

Revision: 1.0

Data: 2015-07

Author: XuFei

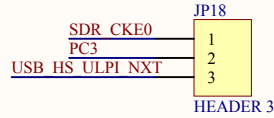
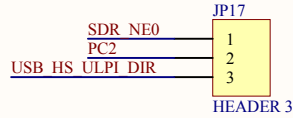
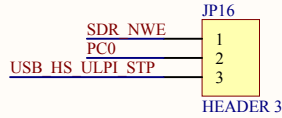
### USB HS

### USB FS

Short JP16(1,2) for SDRAM function  
Short JP16(2,3) for USB\_HS function

Short JP17(1,2) for SDRAM function  
Short JP17(2,3) for USB\_HS function

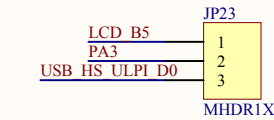
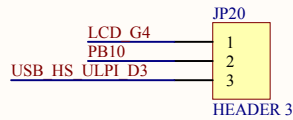
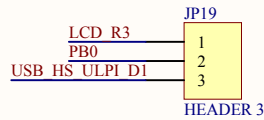
Short JP18(1,2) for SDRAM function  
Short JP18(2,3) for USB\_HS function



Short JP19(1,2) for TLI function  
Short JP19(2,3) for USB\_HS function

Short JP20(1,2) for TLI function  
Short JP20(2,3) for USB\_HS function

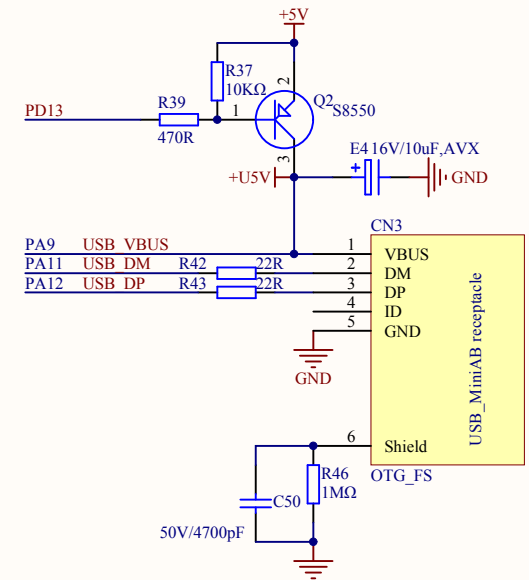
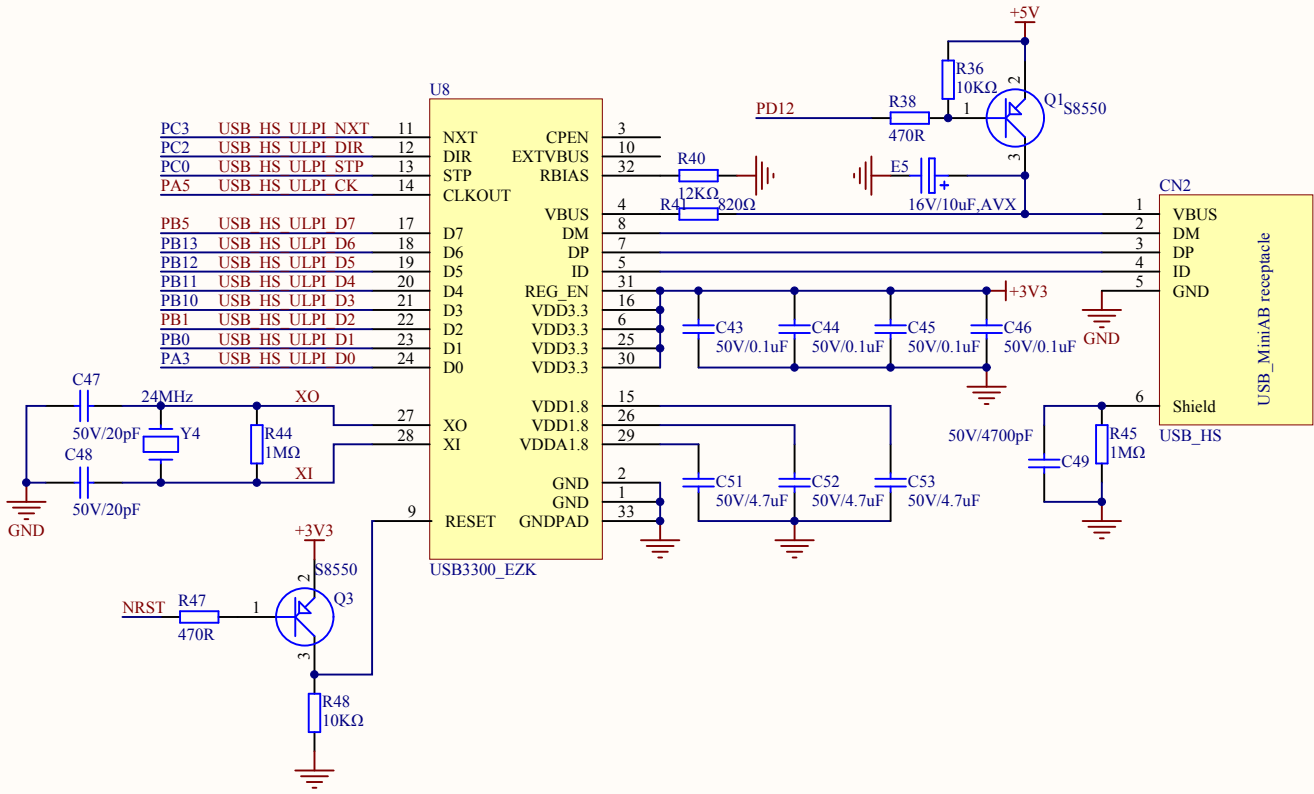
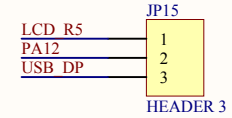
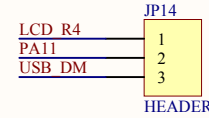
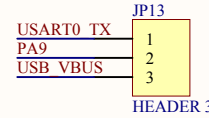
Short JP23(1,2) for TLI function  
Short JP23(2,3) for USB\_HS function



Short JP13(1,2) for USART0 function  
Short JP13(2,3) for USB\_FS function

Short JP14(1,2) for TLI function  
Short JP14(2,3) for USB\_FS function

Short JP15(1,2) for TLI function  
Short JP15(2,3) for USB\_FS function



<b>Company Name: GigaDevice</b>		
<b>File Name: USB</b>		
Revision: 1.1	Data: 2016-7	Author: Xufei

