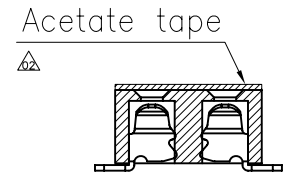
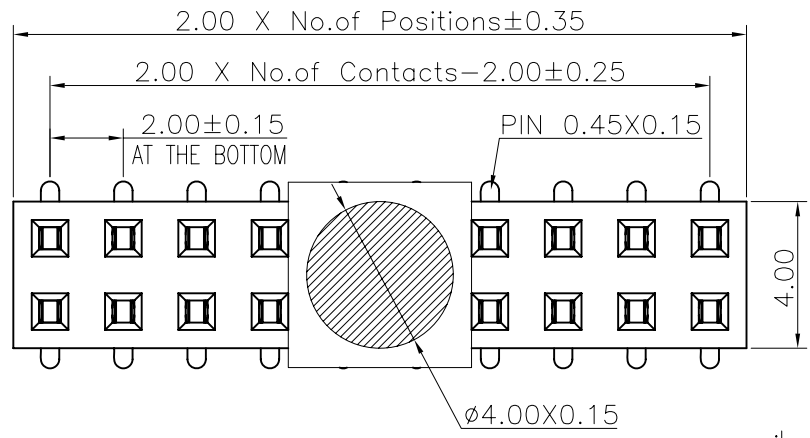


1 2 3 4 5 6 7 8 9

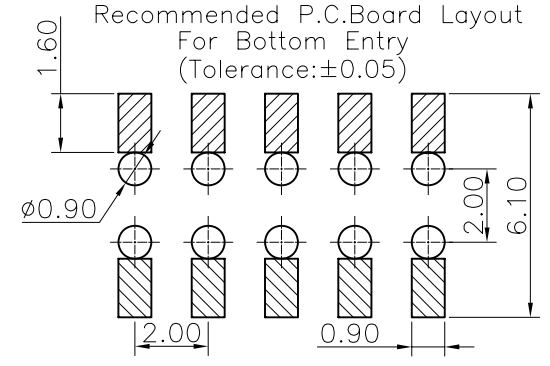
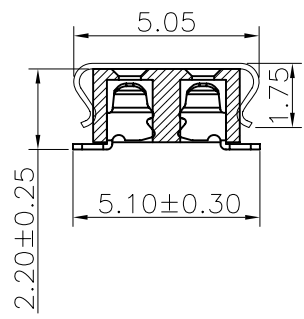
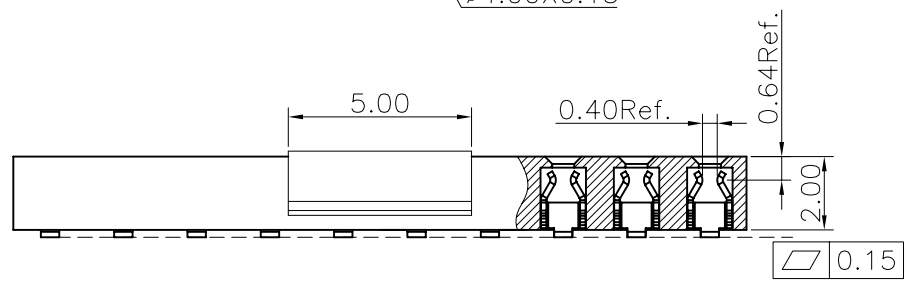
REV.	LOCAS.	DESCRIPTION	DATE	DRAWN
01	NEW	BATCH PRODUCTION INITIAL RELEASE.	2013.03.25	邱明周
02	△	依業務要求，增加醋酸膠布配方	2016.07.19	胡金花

F



Specifications  
 Current Rating: 2.0Amp  
 Insulation Resistance: 1000MΩMin.  
 Dielectric Withstanding Voltage: 500VAC  
 Contact Resistance: 20mΩMax.  
 Operating Temperature: -40°C to +105°C  
 Materials  
 Contact Material: Phosphor Bronze  
 Insulator Material: High Temperature Thermoplastic, UL 94V-0 Nylon 6T (Halogen Free) or the equivalent material  
 All materials must meet Greenconn hazardous substances control standards.

E

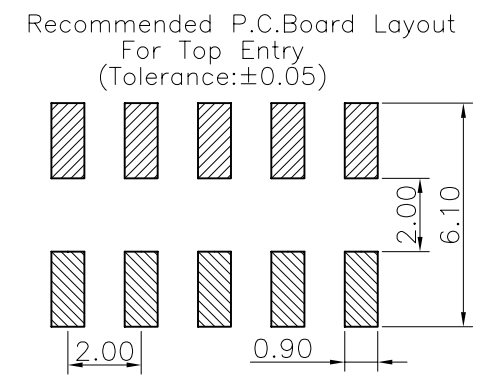


D

### Ordering Information

C SFC206 - XX XX A 003 R 1 A X

No. of Pins per Row 02~40  
 Standard Plating 02=Gold Flash  
 Selective Plating 01=Tin 05=Gold Flash/Tin  
 Color 1=Black  
 Standard Packing C=Tube  
 Selective Packing A=box E=CAP+Tube F=CAP+Tape&Reel G=Acetate Tape+Tube H=Acetate Tape+Tape&Reel



C

B

A

格菱股份有限公司  
**Greenconn Corporation**

GENERAL TOLERANCE	
X.*±5.0°	X.±0.30
.X*±3.0°	.X±0.25
.XX*±2.0°	.XX±0.15
.XXX*±1.0°	.XXX±0.10

DESIGNED: 胡金花	DATE: 2016.07.19
CHECKED: 曹熙	DATE: 2016.07.19
CO SIGNED: 楊明胜	DATE: 2016.07.19
APPROVED: 李輝	DATE: 2016.07.19

DWG. NO.	CSFC206-CA3RA
PART NO.	CSFC206-XXXX A003R1AX

TITLE.	2.0 FEMALE HEADER DUAL ROWS SMT TYPE BASE 2.00H
--------	---

REV.	UNIT.	SCALE.	PAGE.
02	mm	5:1	1/1

1 2 3 4 5 6 7 8 9