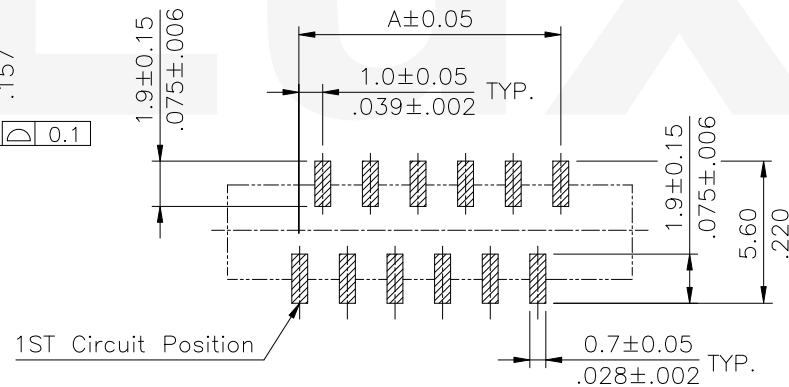
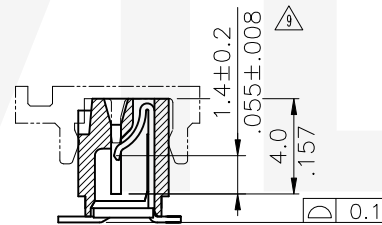
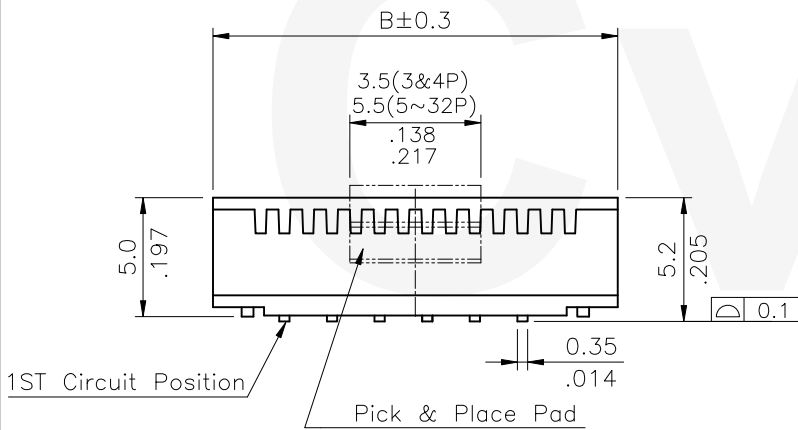
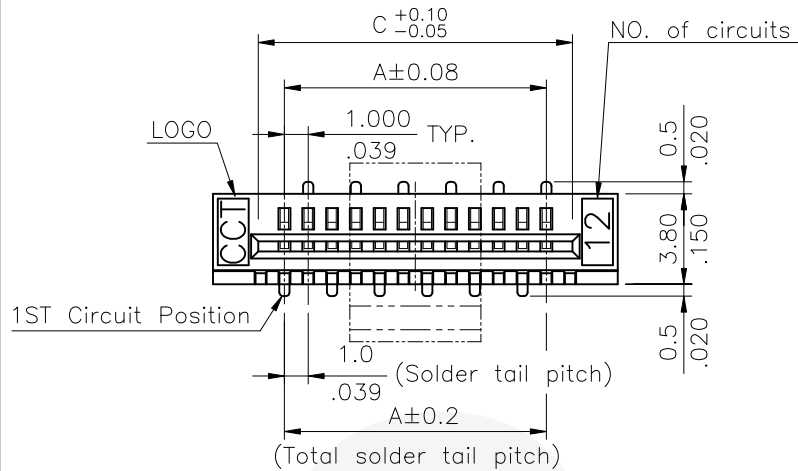


Material:

* Insulation: Nylon 6T UL 94V-0

* Contact: Phosphor Bronze

$\triangle 10$ * PAD: Nylon 6T UL 94V-0, Color Black



Sold Pad Pattern

Ordering Code

CF16 ** 1 M 0 * 0 -LF
 ① ② ③ ④ ⑤ ⑥ ⑦ ⑧

① Series No.

② No. of Circuits

③ Plating code:

1 = Matte Tin plated over Nickel

④ Contact type : M= SMT Type

⑤ Insulation Color: 0= Nature

⑥ Packing : T= Tube Packaged

R= Tape & Reel Packaged

⑦ Other option: 0= Standard

⑧ -LF= For Lead Free IR Reflow Processes

Lead Free Process

RoHS Compliant

$\triangle 11$	Sun	6/10-21'	ECNT121139/ECRH121018		DATE	UNIT: mm / inch	TITLE: 1.00mm(.040") SMT TYPE LIF FFC/FPC CONNECTOR
$\triangle 10$	Kenny	8/24-20'	ECNT120223	DRAWN BY: Sun	6/11-21'	TOLERANCE UNLESS OTHERWISE SPECIFIED	MATERIAL:
$\triangle 9$	Ken	6/12-17'	ECNT117070/ECRT117004	ENGINEER: Sun	6/11-21'		
$\triangle 8$	Sun	8/17-16'	ECRB116043/ECNT116164	CHECKED BY: David	6/11-21'	.X ± 0.15/.006	.X' ± 1"
SYM	NAME	DATE	REVISIONS	APPROVED BY: David	6/11-21'	.XX ± 0.10/.004	.X' ±
						.XXX ± 0.05/.002	.XX' ±

CVILUX
 2021.06.17
 ISSUED

DRAWN BY:	Sun	6/11-21'
ENGINEER:	Sun	6/11-21'
CHECKED BY:	David	6/11-21'
APPROVED BY:	David	6/11-21'

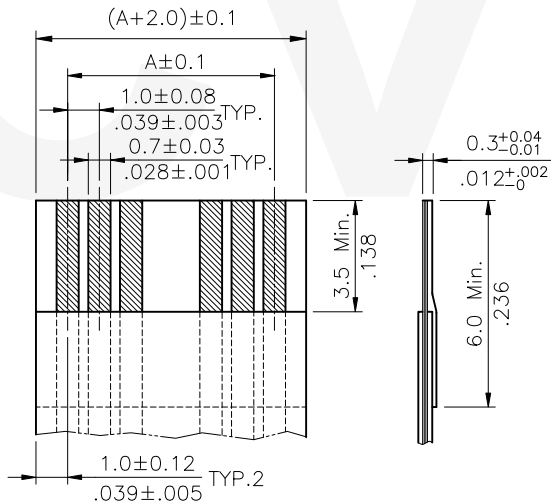
TITLE:	1.00mm(.040") SMT TYPE LIF FFC/FPC CONNECTOR
MATERIAL:	
FINISH:	



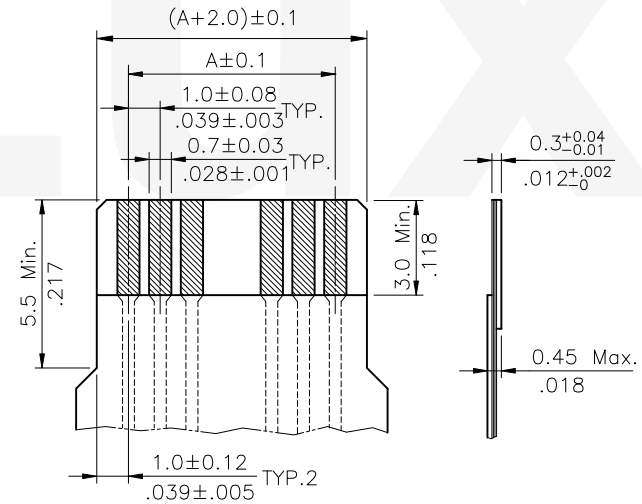
瀚荃股份有限公司
 CviLux Corporation

DRAWING NO.	CF1645SL	PART NO.	CF16**1M0*0-LF
SCALE	3 / 1	SHEET	1 OF 3

Circuits	Dimension			Circuits	Dimension		
	A	B	C		A	B	C
3	2.00(.079)	8.00(.315)	4.10(.161)	18	17.00(.670)	23.0(.905)	19.10(.752)
4	3.00(.118)	9.00(.354)	5.10(.201)	19	18.00(.709)	24.0(.945)	20.10(.791)
5	4.00(.157)	10.0(.393)	6.10(.240)	20	19.00(.748)	25.0(.984)	21.10(.831)
6	5.00(.197)	11.0(.433)	7.10(.280)	21	20.00(.787)	26.0(1.024)	22.10(.870)
7	6.00(.236)	12.0(.472)	8.10(.319)	22	21.00(.827)	27.0(1.063)	23.10(.909)
8	7.00(.275)	13.0(.512)	9.10(.358)	23	22.00(.866)	28.0(1.102)	24.10(.949)
9	8.00(.315)	14.0(.551)	10.10(.398)	24	23.00(.905)	29.0(1.142)	25.10(.988)
10	9.00(.354)	15.0(.590)	11.10(.437)	25	24.00(.945)	30.0(1.181)	26.10(1.028)
11	10.00(.393)	16.0(.630)	12.10(.476)	26	25.00(.984)	31.0(1.220)	27.10(1.067)
12	11.00(.433)	17.0(.670)	13.10(.516)	27	26.00(1.024)	32.0(1.260)	28.10(1.106)
13	12.00(.472)	18.0(.709)	14.10(.555)	28	27.00(1.063)	33.0(1.300)	29.10(1.146)
14	13.00(.512)	19.0(.748)	15.10(.594)	29	28.00(1.102)	34.0(1.339)	30.10(1.185)
15	14.00(.551)	20.0(.787)	16.10(.634)	30	29.00(1.142)	35.0(1.378)	31.10(1.224)
16	15.00(.590)	21.0(.827)	17.10(.673)	31	30.00(1.181)	36.0(1.417)	32.10(1.263)
17	16.00(.630)	22.0(.866)	18.10(.713)	32	31.00(1.220)	37.0(1.457)	33.10(1.303)



* ACCOMMODATED FFC

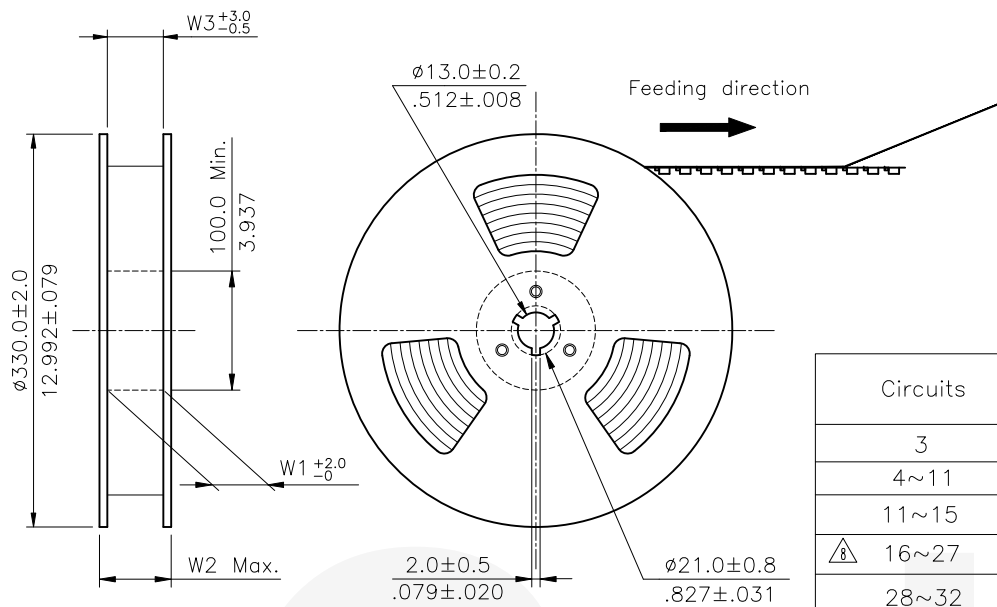


* ACCOMMODATED FPC

Lead Free Process

RoHS Compliant

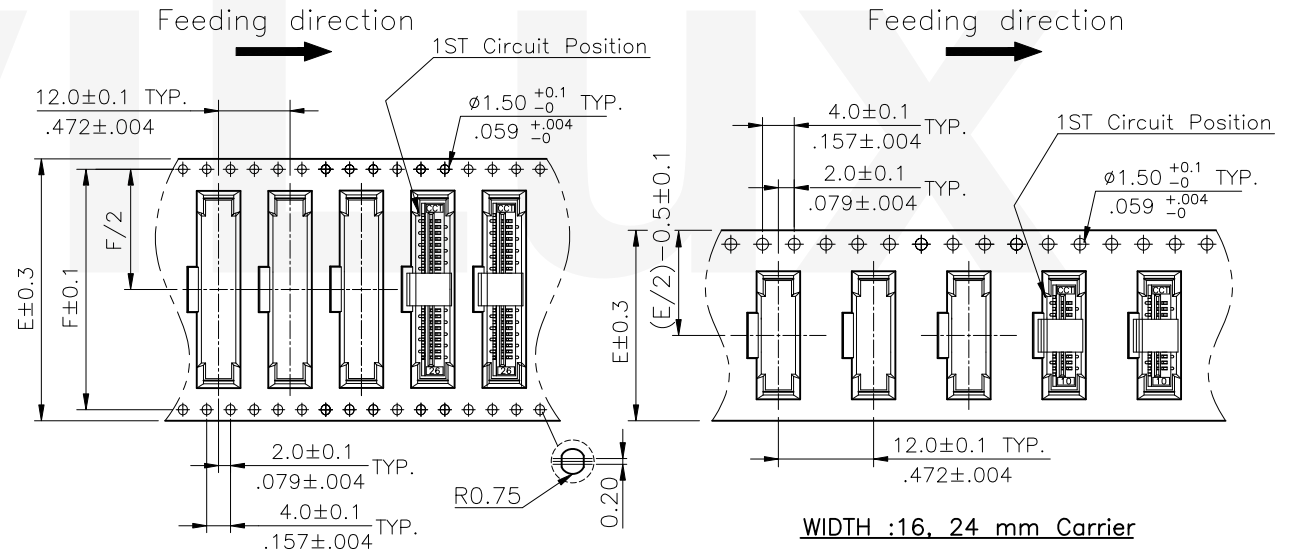
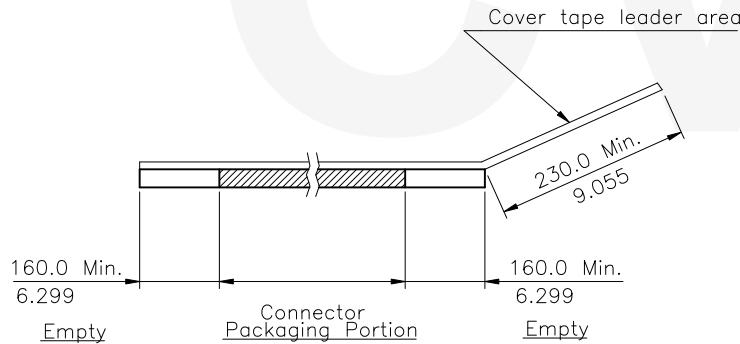
11	Sun	6/10-21'	ECNT121139/ECRH121018		DATE	UNIT: mm / inch	TITLE: 1.00mm(.040") SMT TYPE LIF FFC/FPC CONNECTOR	 瀚荃股份有限公司 CviLux Corporation	
10	Kenny	8/24-20'	ECNT120223		DRAWN BY: Sun	6/11-21'	TOLERANCE UNLESS OTHERWISE SPECIFIED		MATERIAL:
9	Ken	6/12-17'	ECNT117070/ECRT117004		ENGINEER: Sun	6/11-21'	.X ± 0.15/.006 X' ± 1'		FINISH:
8	Sun	8/17-16'	ECRB116043/ECNT116164		CHECKED BY: David	6/11-21'	.XX ± 0.10/.004 X ±	DRAWING NO. CF1645SL PART NO. CF16**1M0*0-LF	
SYM	NAME	DATE	REVISIONS		APPROVED BY: David	6/11-21'	.XXX ± 0.05/.002 XX ±	SCALE 3 / 1 SHEET 2 OF 3	



Notes :

- △△ * Reel Material : HIPS
- * Carrier Material : Clear, Conductive Polystyrene Alloy
- * Cover Tape Material : Polyester
- * Cover Tape Peel Strength : 0.1N – 1.3N
- * Carrier camber is within 1mm in 250mm
- * All dimensions meet EIA-481-B requirements.
- △ * Quantity : 800 PCS/Reel

Circuits	Dimension					Packing (Reel/Carton)
	E	F	W1	W2	W3	
3	16.0(.630)	---	16.5(.650)	22.5(.886)	16.5(.650)	11
4~11	24.0(.945)	---	24.5(.965)	30.5(1.201)	24.5(.965)	9
11~15	32.0(1.260)	28.40(1.118)	32.5(1.280)	38.5(1.516)	32.5(1.280)	7
△ 16~27	44.0(1.732)	40.40(1.591)	44.5(1.752)	50.5(1.988)	44.5(1.752)	5
28~32	56.0(2.205)	52.40(2.063)	56.5(2.224)	62.5(2.461)	56.5(2.224)	3



WIDTH : 32, 44 & 56 mm Carrier

RoHS Compliant

△11	Sun	6/10-21'	ECNT121139/ECRH121018		DATE	UNIT: mm / inch	TITLE: 1.00mm(.040") SMT TYPE LIF FFC/FPC CONNECTOR	 瀚荃股份有限公司 CviLux Corporation	
△10	Kenny	8/24-20'	ECNT120223		DRAWN BY: Sun	6/11-21'	TOLERANCE UNLESS OTHERWISE SPECIFIED		MATERIAL:
△9	Ken	6/12-17'	ECNT117070/ECRT117004		ENGINEER: Sun	6/11-21'	.X ± .X' ± 1'		FINISH:
△8	Sun	8/17-16'	ECRB116043/ECNT116164		CHECKED BY: David	6/11-21'	.XX ± .X' ±	DRAWING NO. CF1645SL	PART NO. CF16**1M0*0-LF
SYM	NAME	DATE	REVISIONS		APPROVED BY: David	6/11-21'	.XXX ± .XX' ±	SCALE	SHEET 3 OF 3