

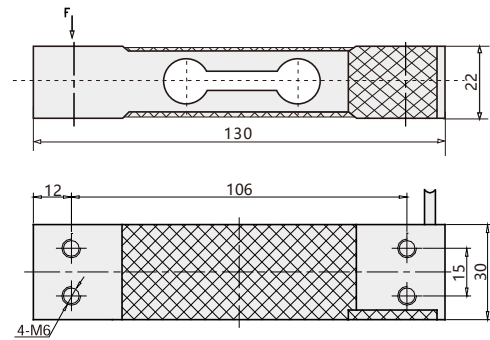
## PARALLEL BEAM LOAD CELL

Single shear beam load cell series: **L601**; Rated load: **3kg ~ 120kg**

Material: Aluminium-alloy



Recommended platform size **250x350mm**



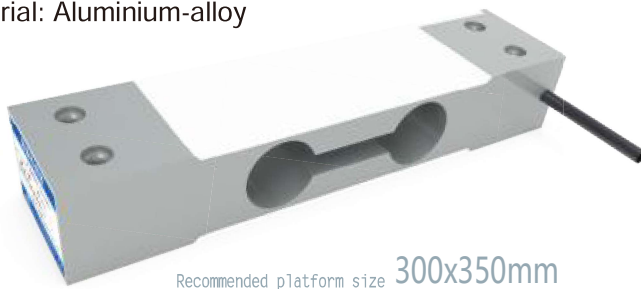
( Dimension unit: mm )

PARAMETERS		
传感器量程	3~120 kg	Rated load
精度等级	C2	Precision
综合误差	±0.03 %F.S	Comprehensive error
灵敏度	2.0±0.2 mV/V	Rated output
零点输出	±1.5 %F.S	Zero balance
输入阻抗	405±6 Ω	Input resistance
输出阻抗	350±3 Ω	Output resistance
绝缘电阻	≥5000MΩ (100VDC)	Insulation resistance
使用温度范围	-10~+40 °C	Use temp.range
激励电压	9~12 VDC	Excitation voltage
安全过载范围	120 %	Safe overload
极限过载范围	150 %	Ultimate overload
防护等级	IP65	Defend grade

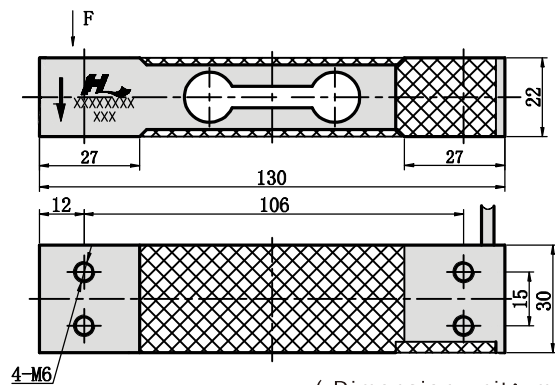
Single shear beam load cell series: **LG601**;

Rated load: **10kg ~ 50kg**

Material: Aluminium-alloy



Recommended platform size **300x350mm**



( Dimension unit: mm )

PARAMETERS		
传感器量程	3~120 kg/10~50kg	Rated load
精度等级	C2/C3	Precision
综合误差	±0.03 & ±0.02 %F.S	Comprehensive error
灵敏度	2.0±0.2 mV/V	Rated output
零点输出	±1.5 %F.S	Zero balance
输入阻抗	405±10 Ω	Input resistance
输出阻抗	350±3 Ω	Output resistance
绝缘电阻	≥5000MΩ (100VDC)	Insulation resistance
使用温度范围	-30~+70 °C	Use temp.range
激励电压	9~12 VDC	Excitation voltage
安全过载范围	120 %	Safe overload
极限过载范围	150 %	Ultimate overload
防护等级	IP65	Defend grade