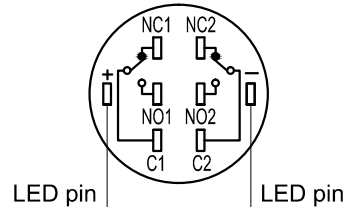
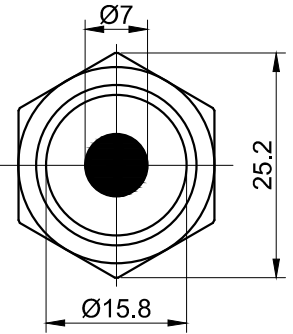
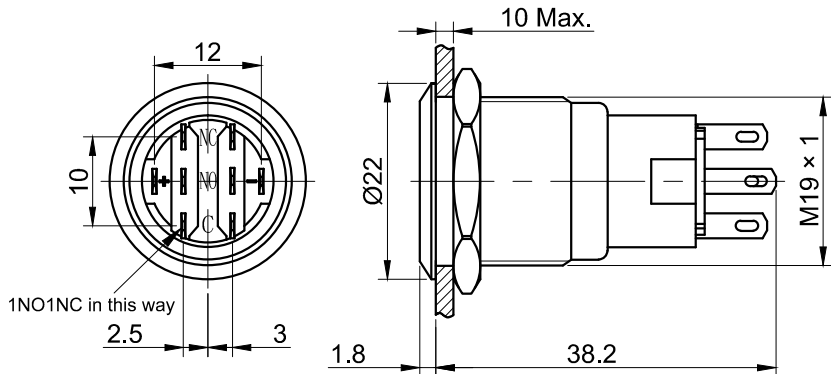
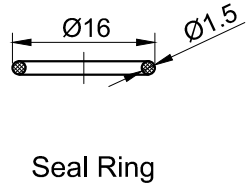
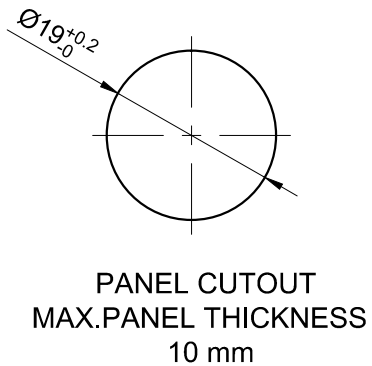


FOR 客户名称	APPROVED 客户确认签字	ATTN 销售负责人

The shaded part is illuminated



Contact Composition



Seal Ring

Part Number: LAS1-AGQ-□■D/△/▲/S

□	Contact structure	■	Operation mode	△	Lamp Color	▲	Lamp voltage
11	1NO 1NC	No Letter	Momentary	R	Red	6V	AC/DC 6V
22	2NO 2NC	Z	Latching	G	Green	12V	AC/DC 12V
				Y	Yellow	24V	AC/DC 24V
				B	Blue	110V	AC/DC 110V
				W	White	220V	AC/DC 220V

Other voltage can be made to order

SPECIFICATIONS:

1. Switch Rating: AC220V/0.5A, DC110V/0.1A.
2. Mechanical Life: ≥1,000,000cycles.
3. Electrical Life: ≥50,000cycles.
4. Contact Resistance: ≤50mΩ.
5. Insulation Resistance: ≥1,000MΩ.
6. Dielectric Strength: 1,500V, RMS 50Hz, 1min.
7. Operating Temperature: -25℃~ +55℃(No Freezing).
8. Operating Force: About 1.5N(1NO1NC), About 3N(2NO2NC).
9. Operating Travel: About 3.1mm.
10. Torque: About 0.6Nm max. applied to nut.
11. Protection degree: IP67;IK09.
12. Terminal Type: Pin Terminal(2.8 x 0.5mm).

MATERIALS:

1. Contact: Silver alloy.
2. Button: Stainless Steel.
3. Body: Stainless Steel.
4. Base: PBT.

BRAND 品牌	ONPOW	红波按钮制造有限公司 ONPOW PUSH BUTTON MANUFACTURE CO.,LTD.		
THESE DRAWINGS AND SPECIFICATIONS ARE THE PROPERTY OF ONPOW PUSH BUTTON MANUFACTURE CO.,LTD. AND SHALL NOT BE REPRODUCED COPIED OR USED IN ANY MANNER WITHOUT THE PRIOR WRITTEN CONSENT OF ONPOW PUSH BUTTON MANUFACTURE CO.,LTD.		USED 用途	APPD 审核 CH 2019/06/14	
		FINISH 处理	CHKD 校对 NCH 2020/04/23	
		SCALE 比例 1.2 / 1	UNIT 单位 mm	DR. 制图 ZPD 2020/04/23
DIMENSIONS		TOLERANCE		TITLE 名称
0.00 TO 18.00mm		±0.43mm		GQ Series Anti-vandal push button
18.01 TO 30.00mm		±0.52mm		DWG NO.
30.01 TO 50.00mm		±0.62mm		图号
50.01 TO 80.00mm		±0.74mm		LAS1-AGQ-D (旋转)
FILE NAME 档案名称		SHEET 张	1 / 1	REV. 更改
LAS1-AGQ-D.DWG		1	1	1

A
B
C
D
E

A
B
C
D
E

1 2 3 4 5 6 7

1 2 3 4 5 6 7