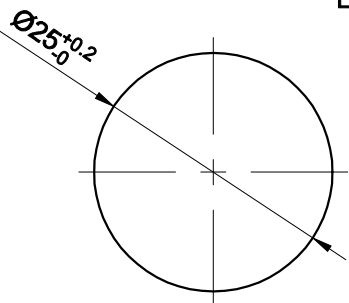
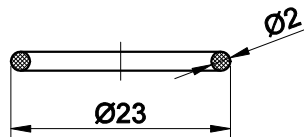


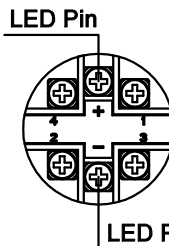
L: Momentary is 38 Max
Latching is 44.5 Max



PANEL CUTOUT
MAX.PANEL THICKNESS
11 mm



Seal Ring



Contact Composition
1,2 are normal closed(NC);
3,4 are normal opened(NO).

The shaded part is illuminated

FOR
客户名称

APPROVED
客户确认签字

ATTN
销售负责人

Part Number:GQ25-L-11 ■ E/△/▲/S

"■"	Operation mode	"△"	Cap or Lamp Color	"▲"	Lamp voltage
No Letter	Momentary	R	Red	6V	AC/DC 6V
Z	Latching	G	Green	12V	AC/DC 12V
		Y	Yellow	24V	AC/DC 24V
		O	Orange	110V	AC/DC 110V
		B	Blue	220V	AC/DC 220V
		W	White	Other voltage can be made to order	

SPECIFICATIONS:

- 1.Switch Rating: AC220V/2A, DC220V/0.1A.
- 2.Mechanical Life: ≥1,000,000cycles.
- 3.Electrical Life: ≥50,000cycles.
- 4.Contact Resistance: ≤50mΩ.
- 5.Insulation Resistance: ≥1,000MΩ.
- 6.Dielectric Strength: 1,500V, RMS 50Hz, 1min.
- 7.Operating Temperature: -25°C~ +55°C(No Freezing).
- 8.Operating Force: About 4N(IP65), About 5N(IP67).
- 9.Operating Travel: About 2.5mm.
- 10.Torque: About 0.8Nm max.applied to nut.
- 11.IP Class: IP65,IP67(Momentary can be made to order).
- 12.Terminal Type: Screw Terminal.

MATERIALS:

- 1.Contact: Silver alloy.
- 2.Button: Stainless steel.
- 3.Body: Stainless steel.
- 4.Base: PA/PC.

BRAND 品牌 ONPOW	红波按钮制造有限公司 ONPOW PUSH BUTTON MANUFACTURE CO.,LTD.			
	USED 用途	APPD 审核	CH 2019/04/24	
THESE DRAWINGS AND SPECIFICATIONS ARE THE PROPERTY OF ONPOW PUSH BUTTON MANUFACTURE CO.,LTD. AND SHALL NOT BE REPRODUCED COPIED OR USED IN ANY MANNER WITHOUT THE PRIOR WRITTEN CONSENT OF ONPOW PUSH BUTTON MANUFACTURE CO.,LTD.	FINISH 处理	CHKD 校对	NCH 2019/04/24	
	SCALE 比例	1.2 : 1	UNIT 单位	mm
DR. 制图		ZPD 2019/04/24		
DIMENSIONS	TOLERANCE	TITLE 名称		SIZE 图纸 A4
0.00 TO 18.00mm	±0.43mm	Anti-vandal push button		
18.01 TO 30.00mm	±0.52mm	DWG NO. 图号		
30.01 TO 50.00mm	±0.62mm	GQ25-L-E		
50.01 TO 80.00mm	±0.74mm	FILE NAME 档案名称	GQ25-L-E.DWG	SHEET 张
				1 / 1
		REV. 更改		1