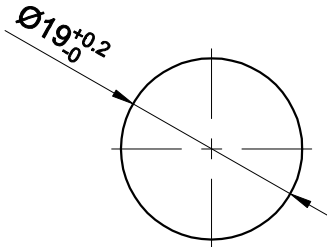
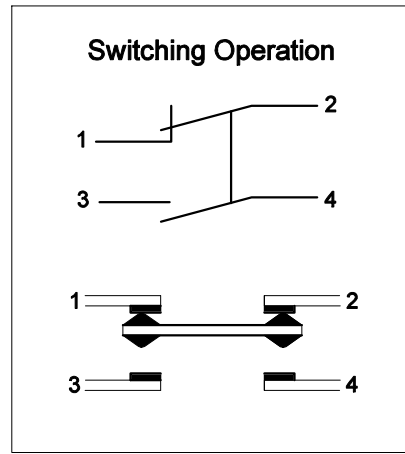
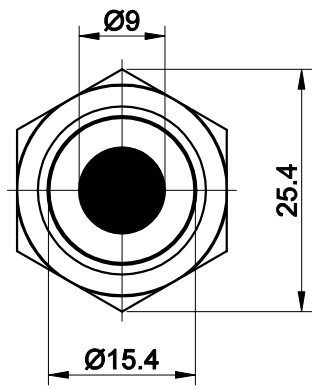
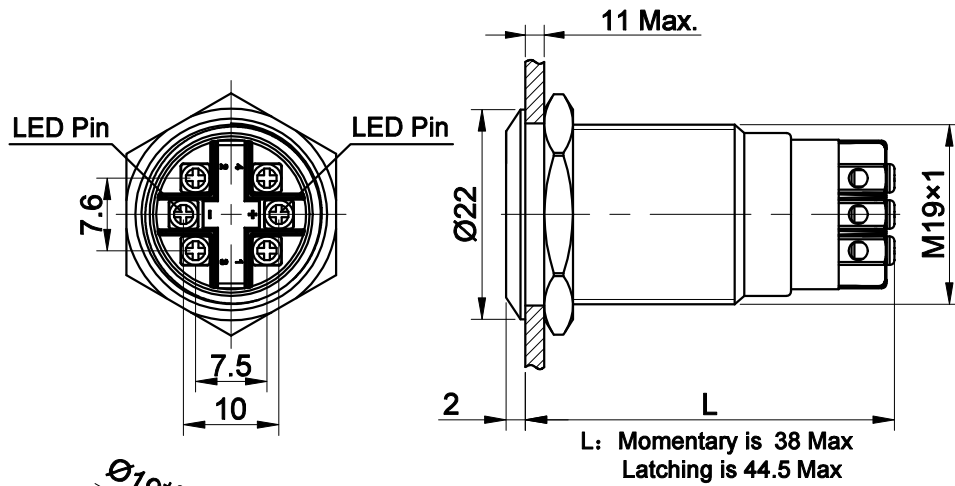
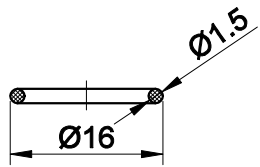


FOR 客户名称	APPROVED 客户确认签字	ATTN 销售负责人

The shaded area is illuminated



PANEL CUTOUT
MAX.PANEL THICKNESS
11 mm



Seal Ring

Part Number: LAS1GQ-11 ■/D/L/△/▲/◎

"■"	Operation mode
No Letter	Momentary
Z	Latching

"△"	Lamp Color
R	Red
G	Green
Y	Yellow
B	Blue
W	White

"▲"	Lamp voltage
6V	AC/DC 6V
12V	AC/DC 12V
24V	AC/DC 24V
110V	AC/DC 110V
220V	AC/DC 220V
Other voltage can be made to order	

"◎"	Crust material
S	Stainless steel
A	Al alloy(black)

SPECIFICATIONS:

- 1.Switch Rating: AC220V/2A, DC220V/0.1A.
- 2.Mechanical Life: ≥1,000,000cycles.
- 3.Electrical Life: ≥50,000cycles.
- 4.Contact Resistance: ≤50mΩ.
- 5.Insulation Resistance: ≥1,000MΩ.
- 6.Dielectric Strength: 1,500V, RMS 50Hz, 1min.
- 7.Operating Temperature: -25°C~ +55°C(No Freezing).
- 8.Operating Force: About 4N(IP65), About 5N(IP67).
- 9.Operating Travel: About 2.5mm.
- 10.Torque: About 0.8Nm max.applied to nut.
- 11.IP Class: IP65, IP67(Momentary can made to order).
- 12.Terminal Type: Screw Terminal.

MATERIALS:

- 1.Contact: Silver alloy.
- 2.Button: ◎.
- 3.Body: ◎.
- 4.Base: PA/PC.

BRAND 品牌 ONPOW	红波按钮制造有限公司 ONPOW PUSH BUTTON MANUFACTURE CO.,LTD.											
	USED 用途 FINISH 处理 SCALE 比例 1.2 / 1	APPD 审核 CH 2019/07/05 CHKD 校对 NCH 2019/07/05 DR. 制图 ZPD 2019/07/05										
THESE DRAWINGS AND SPECIFICATIONS ARE THE PROPERTY OF ONPOW PUSH BUTTON MANUFACTURE CO.,LTD. AND SHALL NOT BE REPRODUCED COPIED OR USED IN ANY MANNER WITHOUT THE PRIOR WRITTEN CONSENT OF ONPOW PUSH BUTTON MANUFACTURE CO.,LTD.	UNIT 单位 mm	TITLE 名称 Anti-vandal push button DWG NO. 图号 LAS1GQ-11D-L(2018) FILE NAME 档案名称 LAS1GQ-11DL.DWG										
<table border="1"> <tr> <th>DIMENSIONS</th> <th>TOLERANCE</th> </tr> <tr> <td>0.00 TO 18.00mm</td> <td>±0.43mm</td> </tr> <tr> <td>18.01 TO 30.00mm</td> <td>±0.52mm</td> </tr> <tr> <td>30.01 TO 50.00mm</td> <td>±0.62mm</td> </tr> <tr> <td>50.01 TO 80.00mm</td> <td>±0.74mm</td> </tr> </table>	DIMENSIONS	TOLERANCE	0.00 TO 18.00mm	±0.43mm	18.01 TO 30.00mm	±0.52mm	30.01 TO 50.00mm	±0.62mm	50.01 TO 80.00mm	±0.74mm	SHEET 张 1 / 1	SIZE 图纸 A4 REV. 更改 1
DIMENSIONS	TOLERANCE											
0.00 TO 18.00mm	±0.43mm											
18.01 TO 30.00mm	±0.52mm											
30.01 TO 50.00mm	±0.62mm											
50.01 TO 80.00mm	±0.74mm											