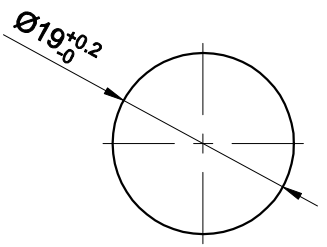
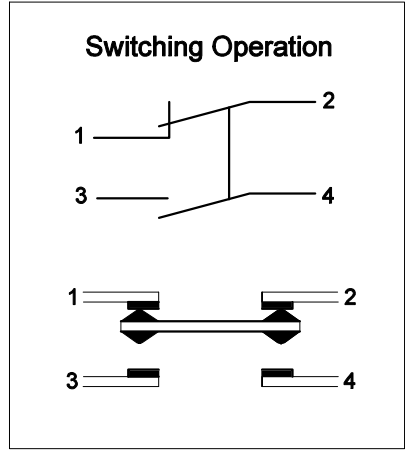
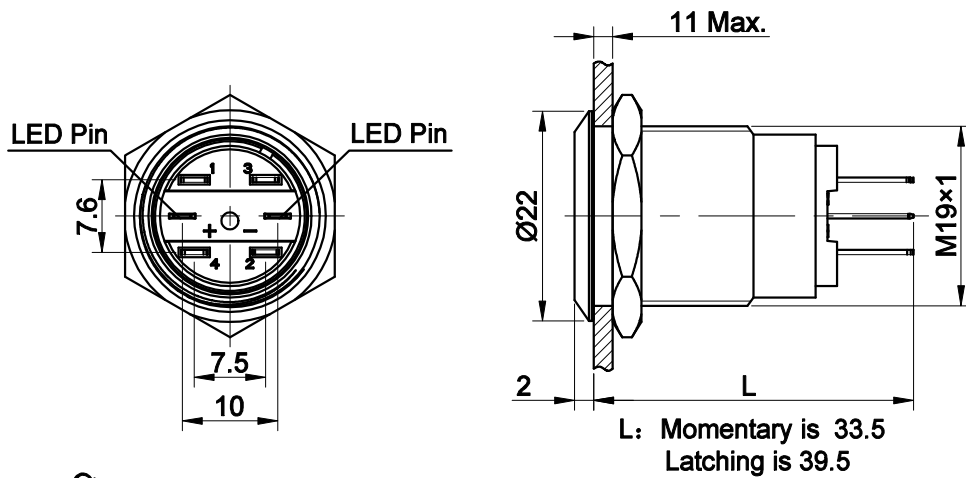
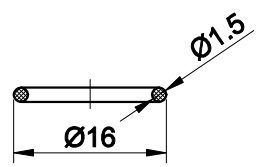


|             |                    |               |
|-------------|--------------------|---------------|
| FOR<br>客户名称 | APPROVED<br>客户确认签字 | ATTN<br>销售负责人 |
|             |                    |               |

The shaded part is illuminated



PANEL CUTOUT  
MAX.PANEL THICKNESS  
11 mm



Seal Ring

Part Number: LAS1GQ-11 ■/△/▲/◎

|           |                |
|-----------|----------------|
| "■"       | Operation mode |
| No Letter | Momentary      |
| Z         | Latching       |

|     |            |                                    |              |     |                 |
|-----|------------|------------------------------------|--------------|-----|-----------------|
| "△" | Lamp Color | "▲"                                | Lamp voltage | "◎" | Crust material  |
| R   | Red        | 6V                                 | AC/DC 6V     | S   | Stainless steel |
| G   | Green      | 12V                                | AC/DC 12V    | A   | Al alloy(black) |
| Y   | Yellow     | 24V                                | AC/DC 24V    |     |                 |
| B   | Blue       | 110V                               | AC/DC 110V   |     |                 |
| W   | White      | 220V                               | AC/DC 220V   |     |                 |
|     |            | Other voltage can be made to order |              |     |                 |

**SPECIFICATIONS:**

- 1.Switch Rating: AC220V/2A, DC220V/0.1A.
- 2.Mechanical Life: ≥1,000,000cycles.
- 3.Electrical Life: ≥50,000cycles.
- 4.Contact Resistance: ≤50mΩ.
- 5.Insulation Resistance: ≥1,000MΩ.
- 6.Dielectric Strength: 1,500V, RMS 50Hz, 1min.
- 7.Operating Temperature: -25°C~ +55°C(No Freezing).
- 8.Operating Force: About 4N(IP65), About 5N(IP67).
- 9.Operating Travel: About 2.5mm.
- 10.Torque: About 0.8Nm max.applied to nut.
- 11.IP Class: IP65,IP67(Momentary can made to order).
- 12.Terminal Type: Pin Terminal(2.8 x 0.5mm).

**MATERIALS:**

- 1.Contact: Silver alloy.
- 2.Button: ◎.
- 3.Body: ◎.
- 4.Base: PC.

| <b>BRAND 品牌 ONPOW</b><br>THESE DRAWINGS AND SPECIFICATIONS ARE THE PROPERTY OF ONPOW PUSH BUTTON MANUFACTURE CO.,LTD. AND SHALL NOT BE REPRODUCED COPIED OR USED IN ANY MANNER WITHOUT THE PRIOR WRITTEN CONSENT OF ONPOW PUSH BUTTON MANUFACTURE CO.,LTD.   | <b>红波按钮制造有限公司</b><br>ONPOW PUSH BUTTON MANUFACTURE CO.,LTD. |  |   |         |                  |         |                  |         |                  |         |            |  |
|--|---|--|---|---------|------------------|---------|------------------|---------|------------------|---------|------------|--|
|  | USED 用途<br>FINISH 处理<br>SCALE 比例 1.2 / 1<br>UNIT 单位 mm      | APPD 审核 CH 2019/07/05<br>CHKD 校对 NCH 2019/07/05<br>DR. 制图 ZPD 2019/07/05 | TITLE 名称 Anti-vandal push button<br>DWG NO. 图号 LAS1GQ-11D (2018)<br>FILE NAME 档案名称 LAS1GQ-11D.DWG<br>SHEET 张 1 / 1<br>REV. 更改 1 |         |                  |         |                  |         |                  |         |            |  |
| <table border="1"> <tr> <th>DIMENSIONS</th> <th>TOLERANCE</th> </tr> <tr> <td>0.00 TO 18.00mm</td> <td>±0.43mm</td> </tr> <tr> <td>18.01 TO 30.00mm</td> <td>±0.52mm</td> </tr> <tr> <td>30.01 TO 50.00mm</td> <td>±0.62mm</td> </tr> <tr> <td>50.01 TO 80.00mm</td> <td>±0.74mm</td> </tr> </table> | DIMENSIONS  | TOLERANCE  | 0.00 TO 18.00mm   | ±0.43mm | 18.01 TO 30.00mm | ±0.52mm | 30.01 TO 50.00mm | ±0.62mm | 50.01 TO 80.00mm | ±0.74mm | SIZE 图纸 A4 |  |
| DIMENSIONS   | TOLERANCE   |  |   |         |                  |         |                  |         |                  |         |            |  |
| 0.00 TO 18.00mm  | ±0.43mm   |  |   |         |                  |         |                  |         |                  |         |            |  |
| 18.01 TO 30.00mm   | ±0.52mm   |  |   |         |                  |         |                  |         |                  |         |            |  |
| 30.01 TO 50.00mm   | ±0.62mm   |  |   |         |                  |         |                  |         |                  |         |            |  |
| 50.01 TO 80.00mm   | ±0.74mm   |  |   |         |                  |         |                  |         |                  |         |            |  |