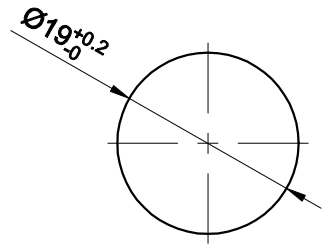
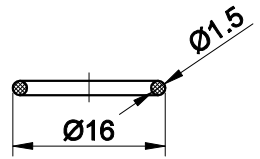


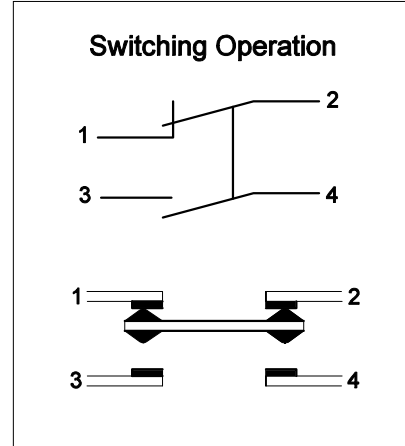
L: Momentary is 38 Max
Latching is 44.5 Max



PANEL CUTOUT
MAX.PANEL THICKNESS
11 mm



Seal Ring



FOR 客户名称	APPROVED 客户确认签字	ATTN 销售负责人

SPECIFICATIONS:

- 1.Switch Rating: AC220V/2A, DC220V/0.1A.
- 2.Mechanical Life: ≥1,000,000cycles.
- 3.Electrical Life: ≥50,000cycles.
- 4.Contact Resistance: ≤50mΩ.
- 5.Insulation Resistance: ≥1,000MΩ.
- 6.Dielectric Strength: 1500V, RMS 50Hz, 1min.
- 7.Operating Temperature: -25°C~ +55°C(No Freezing).
- 8.Operating Force: About 4N(IP65), About 5N(IP67).
- 9.Operating Travel: About 2.5mm.
- 10.Torque:About 0.8Nm max.applied to nut.
- 11.IP Class: IP65,IP67(Momentary made to order).

MATERIALS:

- 1.Contact: Silver alloy.
- 2.Button: ○.
- 3.Body: ◎.
- 4.Base: PA.

Part Number:LAS1GQ-11■L/◎

"■"	Operation mode	"◎"	Crust material
No Letter	Momentary	S	Stainless steel
Z	Latching	A	Al alloy(black)

BRAND 品牌 ONPOW	红波按钮制造有限公司 ONPOW PUSH BUTTON MANUFACTURE CO.,LTD.		
	THESE DRAWINGS AND SPECIFICATIONS ARE THE PROPERTY OF ONPOW PUSH BUTTON MANUFACTURE CO.,LTD. AND SHALL NOT BE REPRODUCED COPIED OR USED IN ANY MANNER WITHOUT THE PRIOR WRITTEN CONSENT OF ONPOW PUSH BUTTON MANUFACTURE CO.,LTD.	USED 用途 FINISH 处理 SCALE 比例 1.2 / 1	APPD 审核 CH 2018/09/03 CHKD 校对 NCH 2018/09/03 DR. 制图 ZPD 2018/09/03
DIMENSIONS 0.00 TO 18.00mm 18.01 TO 30.00mm 30.01 TO 50.00mm 50.01 TO 80.00mm	TOLERANCE ±0.43mm ±0.52mm ±0.62mm ±0.74mm	SHEET 张 1 / 1	SIZE 图纸 A4 REV. 更改 1