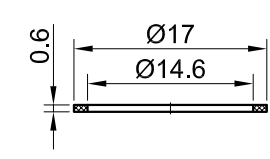
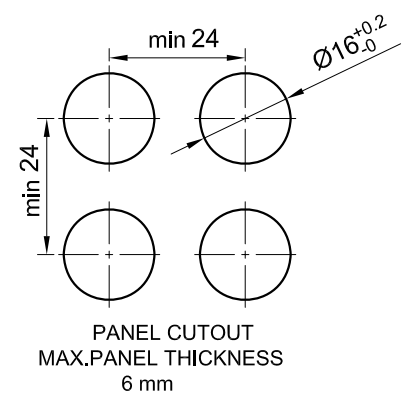
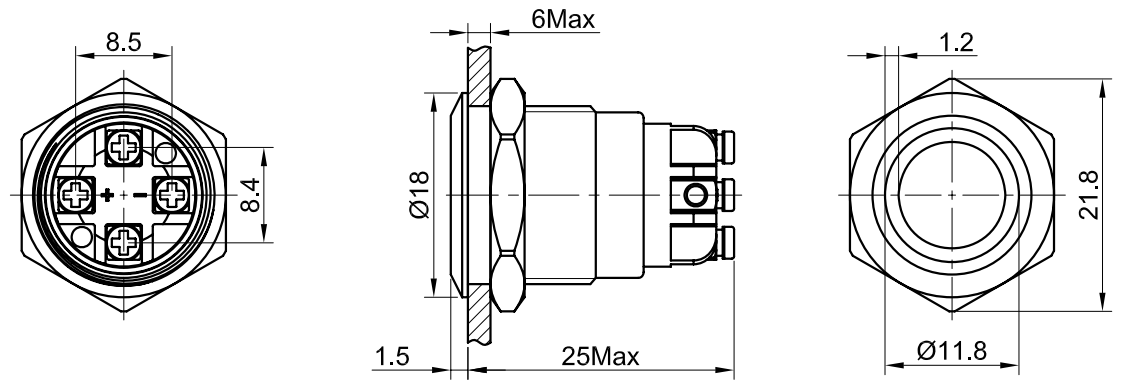


REV. 更改	DESCRIPTION 说明	ENG. 修改人	APPROVE 审核



Seal Ring

Part Number: GQ16F-10E / L / △ / ▲ / S

"△"	Cap or Lamp Color	"▲"	Lamp voltage
R	Red	6V	AC/DC 6V
G	Green	12V	AC/DC 12V
Y	Yellow	24V	AC/DC 24V
O	Orange	110V	AC/DC 110V
B	Blue	220V	AC/DC 220V
W	White		

**SPECIFICATIONS:**

- Rating: 2A 36VDC  
0.5A/220V.
- Electrical Life: ≥200,000cycles(36VDC)  
≥50,000cycles(220VAC).
- Contact Resistance: ≤50mΩ.
- Insulation Resistance: ≥1,000MΩ.
- Dielectric Strength: 2,000V AC 50Hz 5 Seconds.
- Operating Temperature: -25℃ ~ +55℃ (No Freezing).
- Operating Force: 2.5-4N.
- Torque: 0.6Nm max.applied to nut.
- Contact Configuration: 1NO.
- Operation Type: Momentary.
- IP Class: IP65(IP67 Made to order ),IK08.

**MATERIALS:**

- Contact: Silver alloy.
- Button: Stainless Steel.
- Body: Stainless Steel.
- Base: PA.

THESE DRAWINGS AND SPECIFICATIONS ARE THE PROPERTY OF ONPOW PUSH BUTTON MANUFACTURE CO.,LTD. AND SHALL NOT BE REPRODUCED COPIED OR USED IN ANY MANNER WITHOUT THE PRIOR WRITTEN CONSENT OF ONPOW PUSH BUTTON MANUFACTURE CO.,LTD.

**中国·红波按钮制造有限公司**  
ONPOW PUSH BUTTON MANUFACTURE CO.,LTD.

USED 用途	APPD 审核
FINISH 处理	CHKD 校对
DIMENSIONS 0.00 TO 30.00mm 30.01 TO 80.00mm 80.01 TO 150.00mm 150.01 †	TOLERANCE ±0.20mm ±0.25mm ±0.30mm ±0.40mm
SCALE 比例 1.5 / 1	UNIT 单位 mm
DR. 制图	
TITLE 名称 Anti-vandal ring illuminated push button	
DWG NO. 图号 GQ16F-10E / L / △ / ▲ / S	
FILE NAME 档案名称 GQ16F-10E02.DWG	SHEET 张 1 / 1
REV. 更改	1

MATERIAL

SIZE  
图纸 A4