

max. 950 m³/h

DC axial fans

Series 6300 TD 172 Ø x 51 mm



Highlights:

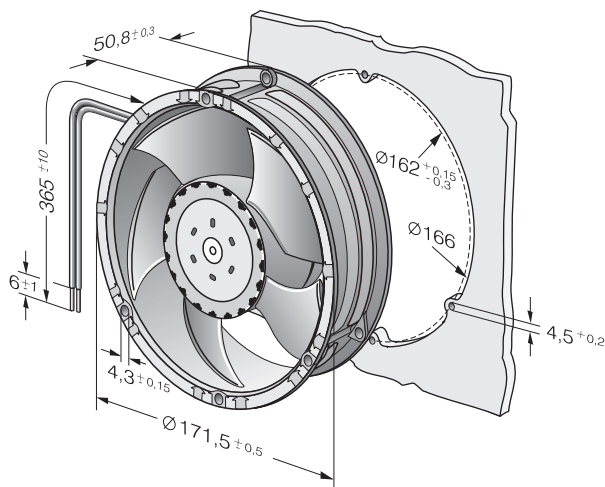
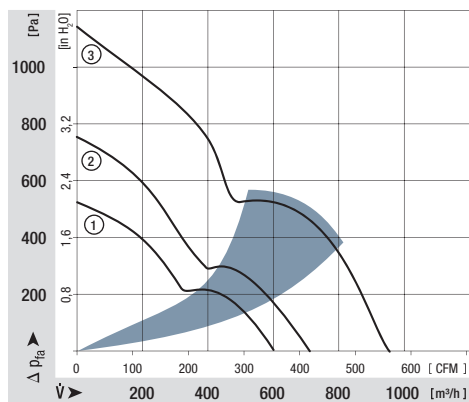
- 3-phase fan drive high degree of running smoothness.
- Very rigid compression curve for high air flow at high back pressure.
- Low operating noise level at high back pressure.
- Standard with PWM control input and speed signal, additional inputs and outputs on request.

General characteristics:

- Material: aluminium housing, fibreglass-reinforced PA impeller; housing with grounding lug for screw M4 x 8 (Torx).
- Protected against reverse polarity and locking.
- Connection via single strands AWG 20, TR 64. Bared and tin-plated.
- Air exhaust over struts. Direction of rotation counter-clockwise, seen on rotor.
- Mass: 910 g.

Nominal data		Air flow	Air flow	Nominal voltage	Voltage range	Sound pressure level	Sound power level	Sinter sleeve bearings Ball bearings	Power input	Nominal speed	Temperature range	Service life L ₁₀ (40 °C) ebm-papst Standard	Service life L ₁₀ (τ max) ebm-papst Standard	Life expectancy L ₁₀ ^Δ (40 °C) see P. 15	Curve	Specials
Type		m ³ /h	CFM	VDC	VDC	dB(A)	Bel(A)	■ / ■	Watts	RPM	°C	Hours	Hours			P. 110
6312 /2TDHP		600	353,1	12	8...16	60	7,3	■	40	5 500	-20...+70	75 000 / 37 500	150 000	1	/2	
NEW 6314 /2TDHP-298		600	353,1	24	16...28	60	7,3	■	42	5 500	-20...+65	75 000 / 42 500	150 000	1		
NEW 6314 /2TDHP		600	353,1	24	16...36	60	7,3	■	40	5 500	-20...+70	75 000 / 37 500	150 000	1	/2	
6314 /2TDHHP		710	417,9	24	16...36	69	7,9	■	67	7 000	-20...+70	62 500 / 30 000	120 000	2	/2	
NEW 6318 /2TDHP-299		600	353,1	48	36...56	60	7,3	■	42	5 500	-20...+65	75 000 / 42 500	150 000	1		
NEW 6318 /2TDHP		600	353,1	48	36...72	60	7,3	■	40	5 500	-20...+70	75 000 / 37 500	150 000	1	/2	
6318 /2TDHHP		710	417,9	48	36...72	69	7,9	■	67	7 000	-20...+70	62 500 / 30 000	120 000	2	/2	
6318 /2TDH4P		950	559,1	48	36...72	75	8,4	■	150	9 200	-20...+65	52 500 / 30 000	107 500	3	/2	

Speed control range from 1000 RPM up to maximum nominal speed. Stationary at 0 % PWM, maximum speed at sensor break.



max. 950 m³/h

DC axial fans

Series 6300 TD 172 x 160 x 51 mm



Highlights:

- 3-phase fan drive with high degree of running smoothness.
- Very rigid compression curve for high air flow at high back pressure.
- Low operating noise level at high back pressure.
- Standard with PWM control input and speed signal, additional inputs and outputs on request.

General characteristics:

- Material: aluminium housing, fibreglass-reinforced PA impeller; housing with grounding lug for screw M4 x 8 (Torx).
- Protected against reverse polarity and locking.
- Connection via single strands AWG 20, TR 64. Bared and tin-plated.
- Air exhaust over struts. Direction of rotation counter-clockwise, seen on rotor.
- Mass: 910 g.

Nominal data		Air flow	Air flow	Nominal voltage	Voltage range	Sound pressure level	Sound power level	Sinter sleeve bearings Ball bearings	Power input	Nominal speed	Temperature range	Service life L ₁₀ (40 °C) ebm-papst Standard	Service life L ₁₀ (T _{max}) ebm-papst Standard	Life expectancy L ₁₀ Δ (40 °C)	Curve	Specials
Type		m ³ /h	CFM	VDC	VDC	dB(A)	Bel(A)	□ / ■	Watts	RPM	°C	Hours	Hours	Hours		
NEW	6314 /2TDHHP-015	710	415,0	24	16...36	69	7,9	■	67	7 000	-20...+70	62 500 / 30 000	120 000	120 000	1	
NEW	6318 /2TDH4P-007	950	560,0	48	36...72	75	8,4	■	150	9 200	-20...+65	52 500 / 30 000	107 500	107 500	2	

Speed control range from 1000 RPM up to maximum nominal speed. Stationary at 0 % PWM, maximum speed at sensor break.

