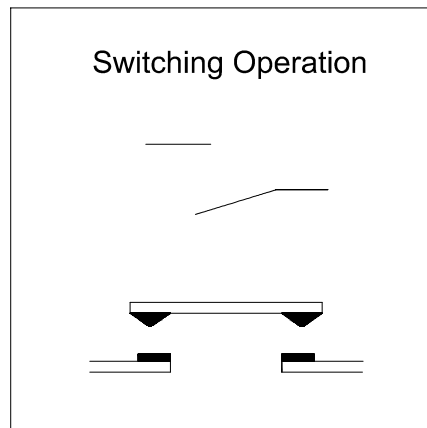
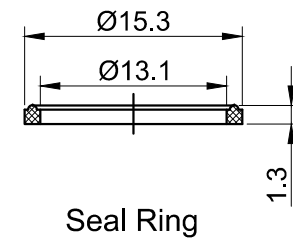
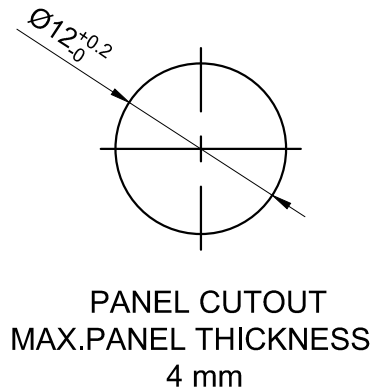
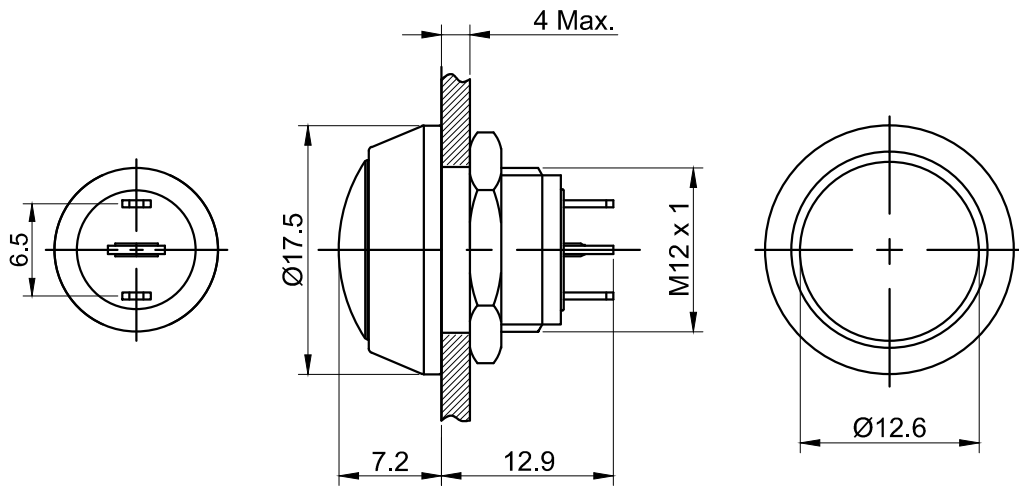


5	6	7
FOR 客户名称	APPROVED 客户确认签字	ATTN 销售负责人



Part Number:GQ12B-10/J/◎

"◎"	Crust Material
N	Nickel Plated Brass
S	Stainless Steel

**SPECIFICATIONS:**

- 1.Switch Rating: DC36V/2A.
- 2.Mechanical Life: ≥1,000,000cycles.
- 3.Electrical Life: ≥200,000cycles.
- 4.Contact Resistance: ≤50mΩ.
- 5.Insulation Resistance: ≥1,000MΩ.
- 6.Dielectric Strength: 1,500V, RMS 50Hz, 1min.
- 7.Operating Temperature: -25℃~ +55℃(No Freezing).
- 8.Operating Force: About 3.5N.
- 9.Operating Travel: About 2mm.
- 10.Torque: About 0.3Nm max.applied to nut.
- 11.Protection degree: IP65, IP67(made to order);IK08.
- 12.Terminal Type: Pin Terminal(2x0.5mm).

**MATERIALS:**

- 1.Contact: Silver alloy.
- 2.Button: ◎.
- 3.Body: ◎.
- 4.Base: PA.

BRAND 品牌 <b>ONPOW</b>		红波按钮制造有限公司 ONPOW PUSH BUTTON MANUFACTURE CO.,LTD.					
THESE DRAWINGS AND SPECIFICATIONS ARE THE PROPERTY OF ONPOW PUSH BUTTON MANUFACTURE CO.,LTD. AND SHALL NOT BE REPRODUCED COPIED OR USED IN ANY MANNER WITHOUT THE PRIOR WRITTEN CONSENT OF ONPOW PUSH BUTTON MANUFACTURE CO.,LTD.		USED 用途	APPD 审核	CH	2020/03/05		
		FINISH 处理	CHKD 校对	NCH	2020/03/05		
		SCALE 比例	1.8 : 1	UNIT 单位	mm	DR. 制图	ZPD 2020/03/05
		TITLE 名称	GQ Series Anti-vandal push button				
DIMENSIONS	TOLERANCE	DWG NO. 图号	GQ12B-J金属		SIZE 图纸	A4	
0.00 TO 18.00mm	±0.43mm	FILE NAME 档案名称	GQ12B-金属.DWG	SHEET 张	1 / 1	REV. 更改	1
18.01 TO 30.00mm	±0.52mm						
30.01 TO 50.00mm	±0.62mm						
50.01 TO 80.00mm	±0.74mm						