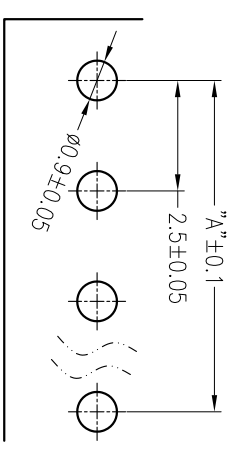
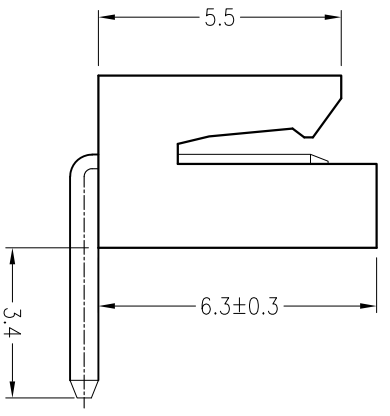
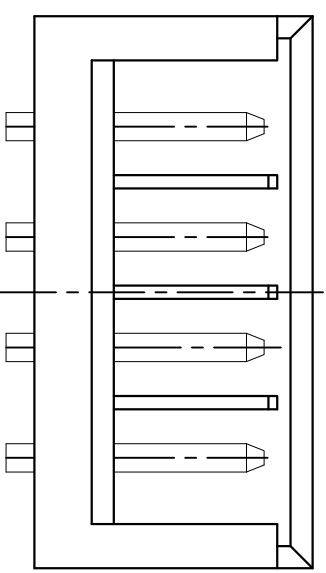
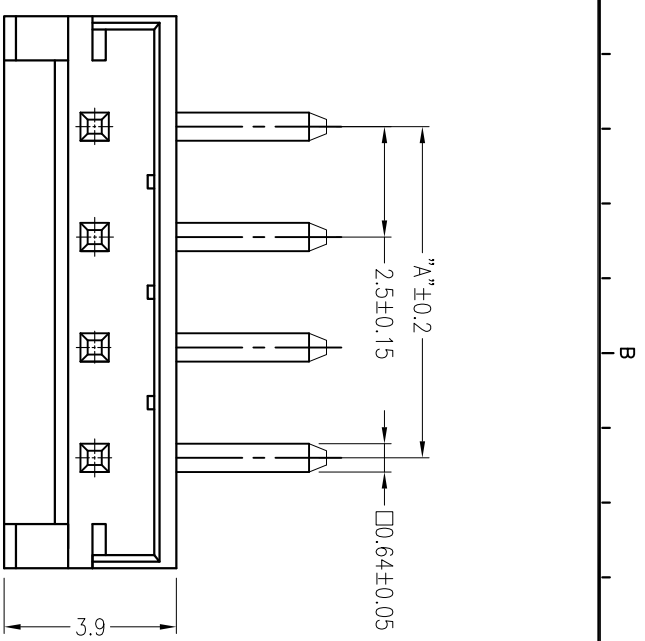


Poles	DIM.A	DIM.B
2P	2.5	7.7
3P	5.0	10.2
4P	7.5	12.7
5P	10.0	15.2
6P	12.5	17.7
7P	15.0	20.2
8P	17.5	22.7
9P	20.0	25.2
10P	22.5	27.7
11P	25.0	30.2
12P	27.5	32.7
13P	30.0	35.2
14P	32.5	37.7
15P	35.0	40.2



P.C.B. LAYOUT

■ 技术参数 SPECIFICATIONS

- ◆ 适用线规: AWG#22~#28
 - ◆ Applicable Wire: AWG#22~#28
 - ◆ 额定电压: 250V AC,DC(rms)
 - ◆ Rated voltage: 250V AC,DC(rms)
 - ◆ 额定电流: 2.5A (AWG#22)
 - ◆ Rated Current: 2.5A (AWG#22)
 - ◆ 耐压值: 800V AC/minute
 - ◆ Withstand voltage: 800V AC/minute
 - ◆ 工作温度: -25°C ~ +85°C
 - ◆ Working Temp : -25°C ~ +85°C
 - ◆ 绝缘电阻: ≥1000 MΩ
 - ◆ Insulation resistance: ≥1000 MΩ
 - ◆ 接触电阻: ≤10mΩ
 - ◆ Contact resistance: ≤10mΩ
- 材料 MATERIAL
- ◆ 绝缘体: 尼龙66, UL94-V2
 - ◆ Insulator: Nylon66, UL94-V2
 - ◆ 接触针: 黄铜
 - ◆ Contact/PIN: Brass

 Dongguan Jimda Electronics Co., Ltd 东莞市津达电子有限公司		GENERAL TOLERANCE		SCALE: 6:1		DRAWN: 柴艳妮		DATE: 2017.6.29		DOC. NO:		TITLE:		REV.	
		XX: ±0.40		UNIT: mm	CHECK: 于腾	DATE: 2017.6.29	E:\DWG\Production\EH		EH-NAW		工程图		SHEET: 1/1		
X: ±0.30		SIZE: A4	APPROVE: 肖志军	DATE: 2017.6.29											
X: ±0.25															
.XX ±0.15															