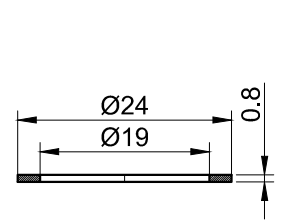
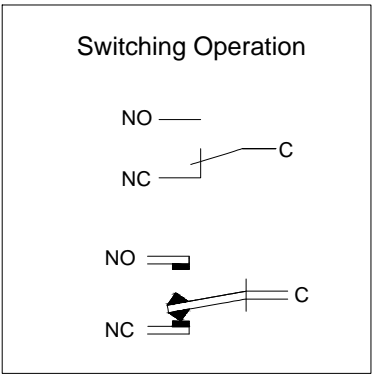
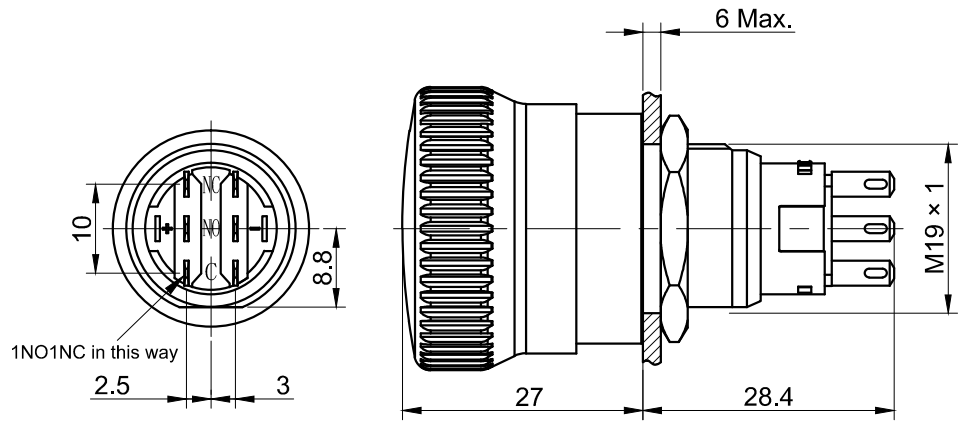
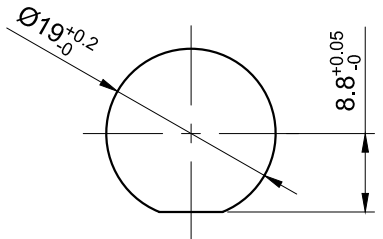


FOR 客户名称	APPROVED 客户确认签字	ATTN 销售负责人



Seal Ring



PANEL CUTOUT  
MAX.PANEL THICKNESS  
6 mm

Part Number: LAS1-AGQ-□TS

"□"	Contact structure
11	1NO 1NC
22	2NO 2NC

**SPECIFICATIONS:**

1. Switch Rating: AC220V/0.5A, DC110V/0.1A.
2. Mechanical Life: ≥200,000cycles.
3. Electrical Life: ≥50,000cycles.
4. Contact Resistance: ≤50mΩ.
5. Insulation Resistance: ≥1,000MΩ.
6. Dielectric Strength: 1,500V, RMS 50Hz, 1min.
7. Operating Temperature: -25°C ~ +55°C (No Freezing).
8. Operating Travel: About 3.1mm.
9. Torque: About 0.6Nm max. applied to nut.
10. Protection degree: IP65; IK02.
11. Terminal Type: Pin Terminal (2.8 x 0.5mm).

**MATERIALS:**

1. Contact: Silver alloy.
2. Button: Al alloy (red).
3. Body: Al alloy.
4. Base: PBT.

BRAND 品牌 <b>ONPOW</b>	<b>红波按钮制造有限公司</b> ONPOW PUSH BUTTON MANUFACTURE CO.,LTD.			
	USED 用途	APPD 审核 CH 2020/04/21		
FINISH 处理	CHKD 校对 NCH 2020/04/21			
SCALE 比例 1.2 / 1	UNIT 单位 mm	DR. 制图 ZPD 2020/04/21		
DIMENSIONS 0.00 TO 18.00mm ±0.43mm 18.01 TO 30.00mm ±0.52mm 30.01 TO 50.00mm ±0.62mm 50.01 TO 80.00mm ±0.74mm	TOLERANCE	TITLE 名称 GQ Series Anti-vandal push button		
DWG NO. 图号 LAS1-AGQ-TS		SHEET 张 1 / 1	SIZE 图纸 A4	
FILE NAME 档案名称 LAS1-AGQ-TS.DWG			REV. 更改 1	