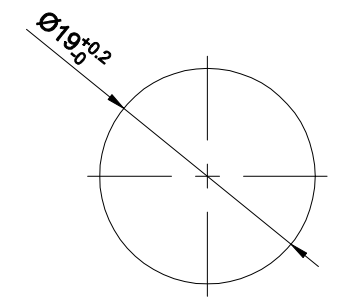
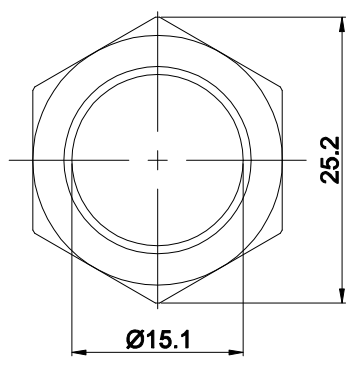
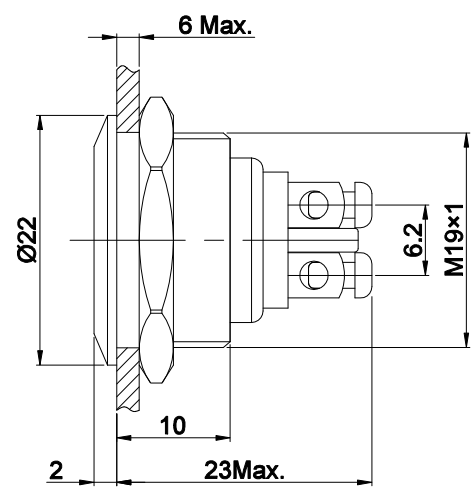
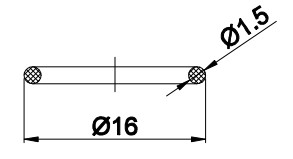


1 2 3 4 5 6 7

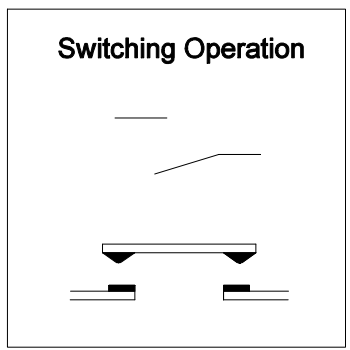
FOR 客户名称	APPROVED 客户确认签字	ATTN 销售负责人



PANEL CUTOUT



Seal Ring



"□"	Contact Structure
10(Blue)	1NO
01(Red)	1NC
"◎"	Crust Material
N	Nickel Plated Brass
S	Stainless Steel
A	Al alloy(black)

**SPECIFICATIONS:**

- 1.Switch Rating: AC220V/0.5A.
- 2.Mechanical Life: ≥1,000,000cycles.
- 3.Electrical Life: ≥50,000cycles.
- 4.Contact Resistance: ≤50mΩ.
- 5.Insulation Resistance: ≥1,000MΩ.
- 6.Dielectric Strength: 1,500V, RMS 50Hz, 1min.
- 7.Operating Temperature: -25°C~ +55°C(No Freezing).
- 8.Operating Force: About 4N.
- 9.Operating Travel: About 2mm.
- 10.Torque: About 0.6Nm max.applied to nut.
- 11.Protection degree: IP65;IK08.
- 12.Terminal Type: Screw Terminal.

**MATERIALS:**

- 1.Contact: Silver alloy.
- 2.Button: ◎.
- 3.Body: ◎.
- 4.Base: PBT.

Part Number:GQ19SF-□/◎

BRAND 品牌		红波按钮制造有限公司	
ONPOW 欧宝龙®		ONPOW PUSH BUTTON MANUFACTURE CO.,LTD.	
THESE DRAWINGS AND SPECIFICATIONS ARE THE PROPERTY OF ONPOW PUSH BUTTON MANUFACTURE CO.,LTD. AND SHALL NOT BE REPRODUCED COPIED OR USED IN ANY MANNER WITHOUT THE PRIOR WRITTEN CONSENT OF ONPOW PUSH BUTTON MANUFACTURE CO.,LTD.		USED 用途	APPD 审核 CH 2017/09/30
FINISH 处理		SCALE 比例 1.5 / 1	CHKD 校对 NCH 2017/09/30
DIMENSIONS		UNIT 单位 mm	DR 制图 ZPD 2017/09/30
0.00 TO 3.00mm	±0.25mm	TITLE 名称 Anti-vandal push button	
3.01 TO 6.00mm	±0.30mm	DWG NO. 图号 GQ19SF-□	
6.01 TO 10.00mm	±0.36mm	FILE NAME 档案名称 GQ19-□.DWG	
10.01 TO 18.00mm	±0.43mm	SHEET 张 1 / 1	REV. 更改 1
18.01 TO 30.00mm	±0.52mm	SIZE 图纸 A4	
30.01 TO 50.00mm	±0.62mm	Government standard: GB/T 1800.1-2009; Grade of tolerance: IT14.	
50.01 TO 80.00mm	±0.74mm		

1 2 3 4 5 6 7