

1

2

3

4

5

6

7

FOR
客户名称APPROVED
客户确认签字ATTN
销售负责人

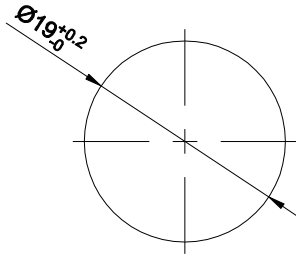
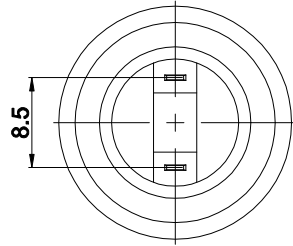
A

B

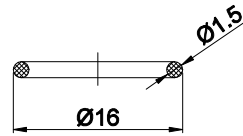
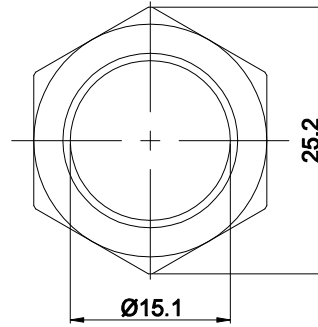
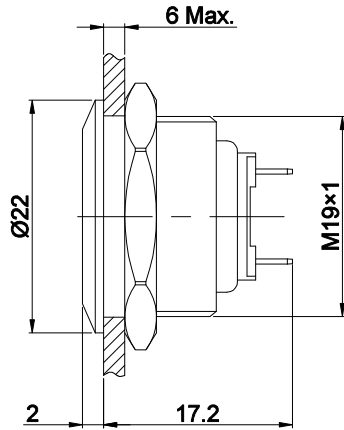
C

D

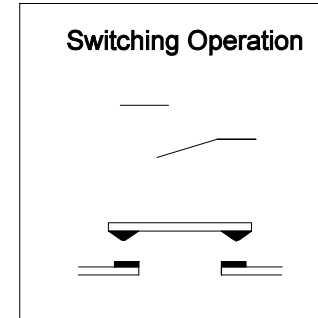
E



PANEL CUTOUT



Seal Ring



A

B

C

D

E

SPECIFICATIONS:

1. Switch Rating: AC220V/0.5A.
2. Mechanical Life: $\geq 1,000,000$ cycles.
3. Electrical Life: $\geq 50,000$ cycles.
4. Contact Resistance: ≤ 50 m Ω .
5. Insulation Resistance: $\geq 1,000$ M Ω .
6. Dielectric Strength: 1,500V, RMS 50Hz, 1min.
7. Operating Temperature: -25°C ~ +55°C (No Freezing).
8. Operating Force: About 4N.
9. Operating Travel: About 2mm.
10. Torque: About 0.8Nm max. applied to nut.
11. Protection degree: IP65; IK09.
12. Terminal Type: Pin Terminal (2.8 x 0.5mm).

MATERIALS:

1. Contact: Silver alloy.
2. Button: \odot .
3. Body: \odot .
4. Base: PBT.

Part Number: GQ19SF-10/J/◎

"◎"	Crust Material
N	Nickel Plated Brass
S	Stainless Steel

BRAND 品牌		红波按钮制造有限公司 ONPOW PUSH BUTTON MANUFACTURE CO.,LTD.			
THESE DRAWINGS AND SPECIFICATIONS ARE THE PROPERTY OF ONPOW PUSH BUTTON MANUFACTURE CO.,LTD. AND SHALL NOT BE REPRODUCED COPIED OR USED IN ANY MANNER WITHOUT THE PRIOR WRITTEN CONSENT OF ONPOW PUSH BUTTON MANUFACTURE CO.,LTD.		用途		APPD 审核 CH 2020/03/09	
		FINISH 处理		CHKD 校对 NCH 2020/03/09	
		SCALE 比例 1.6 / 1	UNIT 单位 mm	DR. 制图 ZPD 2020/03/09	
		名称 GQ Series Anti-vandal push button			
DIMENSIONS		TOLERANCE			
0.00 TO 3.00mm		± 0.25 mm			
3.01 TO 6.00mm		± 0.30 mm			
6.01 TO 10.00mm		± 0.38 mm			
10.01 TO 18.00mm		± 0.43 mm			
18.01 TO 30.00mm		± 0.52 mm			
30.01 TO 50.00mm		± 0.62 mm			
50.01 TO 80.00mm		± 0.74 mm			
Government standard: GB/T 1800.1-2009; Grade of tolerance: IT14.					
DWG NO. 图号 GQ19SF-10-J		SHEET 张 1 / 1		SIZE 图纸 A4	
FILE NAME 档案名称 GQ19-J.DWG		REV. 更改 1			

1

2

3

4

5

6

7