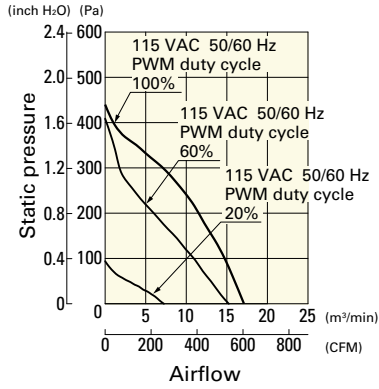




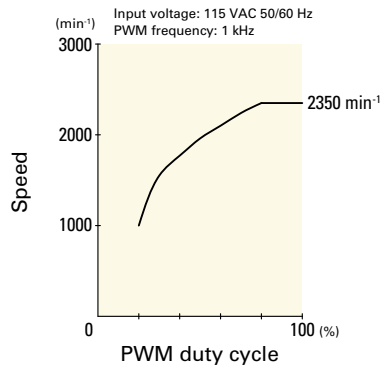
## Airflow - Static Pressure Characteristics / PWM Duty - Speed Characteristics Example

**9ADB1W1TS11P0M001** With pulse sensor with PWM control function

PWM duty cycle

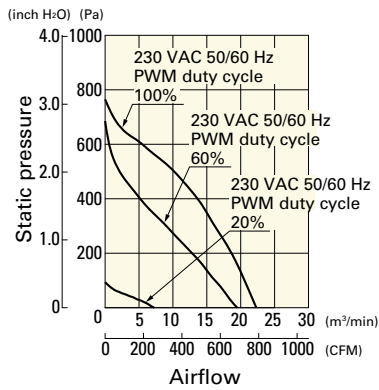


PWM duty - Speed characteristics example

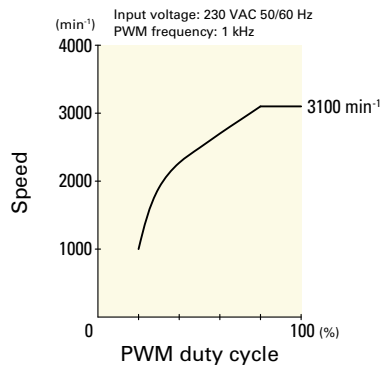


**9ADB1W1TS23P0H001** With pulse sensor with PWM control function

PWM duty cycle

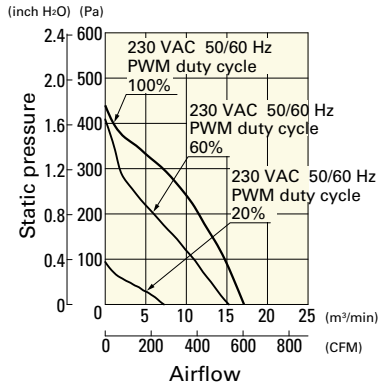


PWM duty - Speed characteristics example

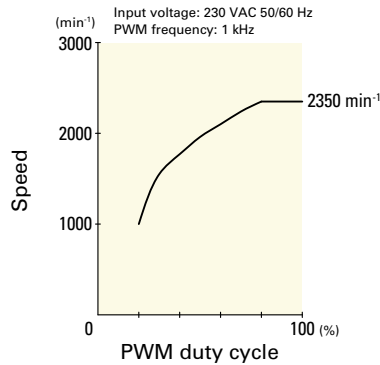


**9ADB1W1TS23P0M001** With pulse sensor with PWM control function

PWM duty cycle

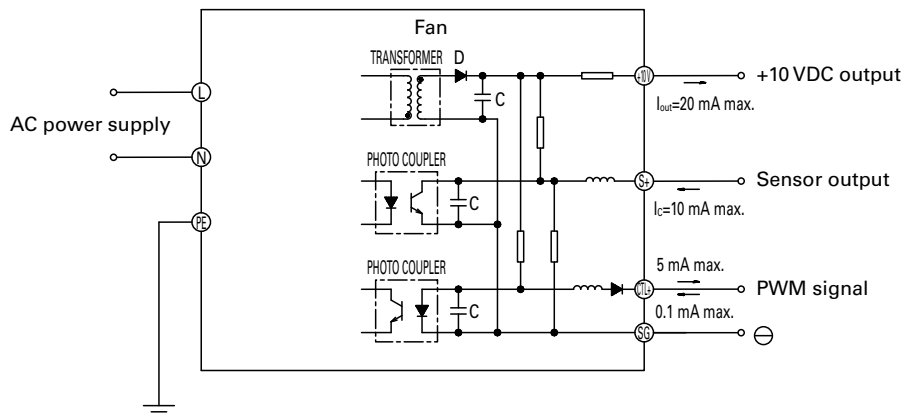


PWM duty - Speed characteristics example

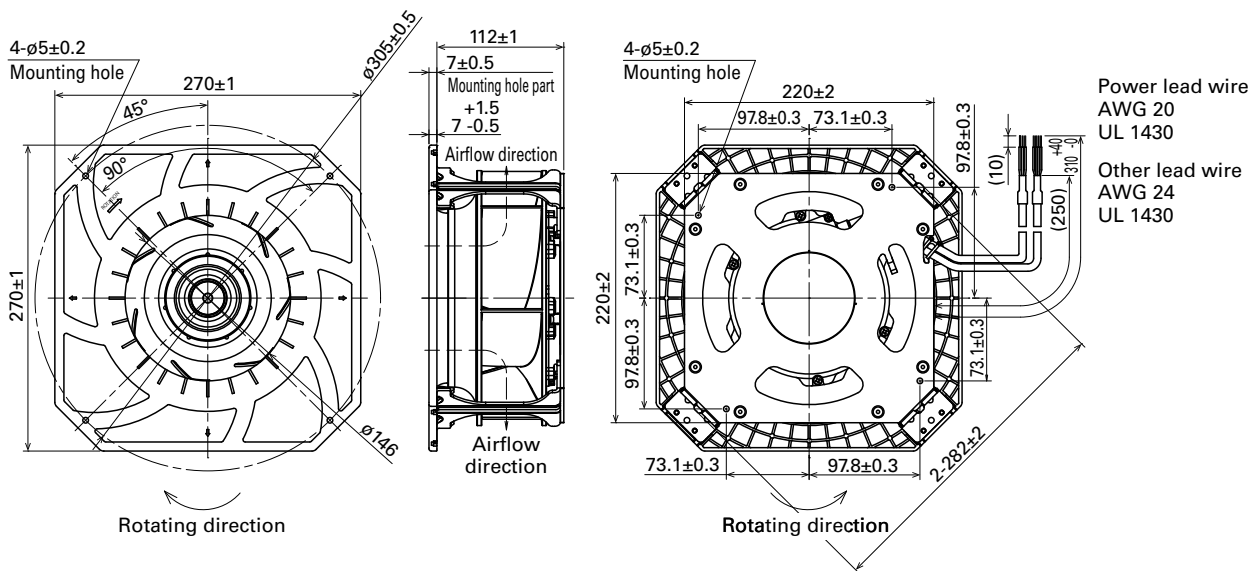


ACDC Fan 270 mm sq.

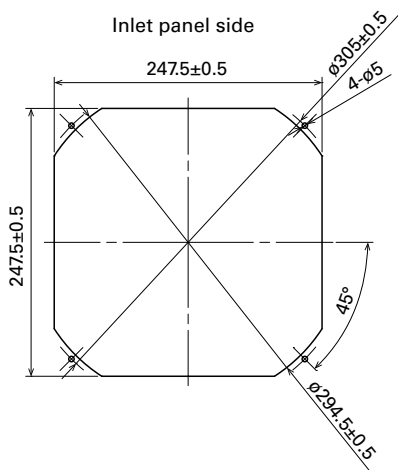
## Wiring Diagram



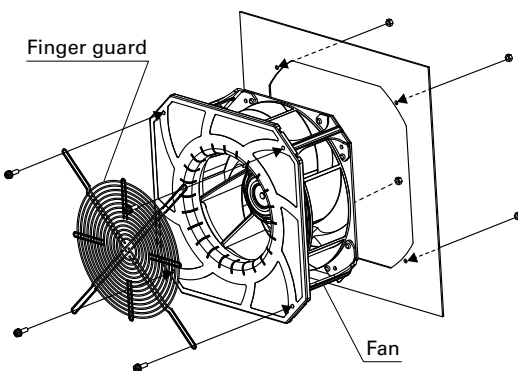
## Dimensions (unit: mm)



## Reference Dimensions of Mounting Holes and Vent Opening (unit: mm)



## Reference Diagram for Mounting



## Options

Finger guards

page: p. 588

Model no.: 109-1146, 109-1146H