

● **Electrical Specifications**

Frequency Range: 700-2700MHz

VSWR: ≤2.0

Gain: 5dBi

Polarization Type: Vertical

Rated Power: 50W

Input Impedance: 50Ω

● **Mechanical Specifications**

Radome Materials: Plastic

Connector: SMA Male

Antenna Length: Ø16*192mm

Radiator: Cuprum

Working Temp: -40°C~+60°C

Humidity: 5%-95%RH

Weight: 18g



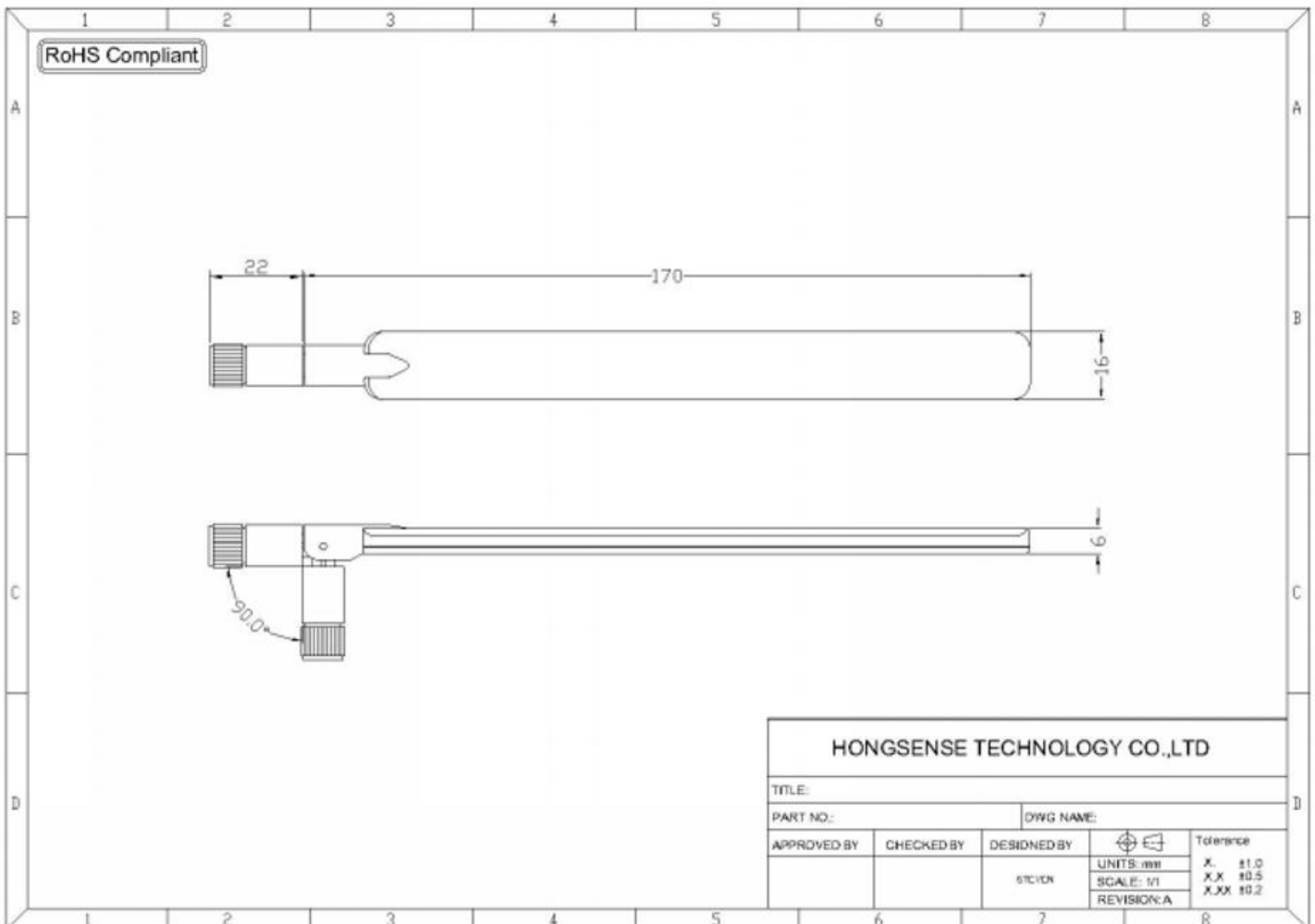
ABS Material



SMA Male



90° Foldable



• V.S.W.R

